

The background is a deep red color with a faint grid pattern. On the left, there is a large, stylized gear with a hexagonal center. On the right, there is a line graph with a dashed line and several data points. The text "QUICKIE QXi" is centered in the middle of the page in a white, sans-serif font, with a stylized white swoosh above the word "QUICKIE".

QUICKIE QXi

# PARTS MANUAL

JANUARY 2021



improving people's lives

Product.....	1
QUICKIE QX/QXI .....	5
GLOSSARY OF ABBREVIATIONS.....	5
BASE FRAME .....	5
QXI FRAME.....	5
ADJUSTABLE SIDE FRAME QXI .....	6
ADJUSTABLE HEMI SIDE FRAME QXI .....	7
CROSS FRAME .....	9
TRANSIT KIT DISCONTINUED .....	11
QX FRAME.....	11
FIXED SIDE FRAME QX (EFFECTIVE 8/15/16).....	12
FIXED HEMI SIDE FRAME QX (EFFECTIVE 8/15/16).....	13
NEW TRANSIT WC19.....	15
AXLES AND AXLE PLATES .....	15
QXI AXLE PLATE.....	16
QR AXLE MATRIX .....	18
FIXED AXLE PLATE QX .....	19
THREADED AXLES .....	21
CASTERS AND FORKS.....	22
CASTER PLATES .....	23
CASTER STEM & FORK ASSMS .....	24
3 SPOKE CASTERS .....	26
ANTI TIPS .....	26
ANTI TIPS QX/QXI .....	27
LOW PROFILE ANTI TIPS QX/QXI .....	28
WHEEL LOCKS .....	28
HIGH MOUNT PUSH WHEEL LOCK.....	29
HIGH MOUNT PULL WHEEL LOCK.....	30
COMPACT WHEEL LOCK.....	31
UNILATERAL WHEEL LOCK.....	32
WHEEL LOCK EXTENSION HANDLE.....	34
WHEELS AND TIRES .....	34
WHEELS .....	34
TRADITIONAL 6 SPOKE MAG .....	35
LITE SPOKE.....	36
5 SPOKE MAG .....	38
TIRES.....	39
PNEUMATIC & PNEU. AIRLESS TIRE.....	40
FULL POLY TIRE .....	41
HIGH PRESSURE CLINCHER TIRE .....	42
SCHWALBE MARATHON PLUS TIRE .....	43
HANDRIMS .....	43
ALUMINUM ANODIZED (SCREW MOUNT).....	44
PLASTIC COATED (SCREW MOUNT).....	45
NATURAL FIT (SCREW MOUNT) .....	46
NATURAL FIT 5 SPOKE MAG (SCREW MOUNT).....	48
NATURAL FIT (TAB MOUNT).....	49
THE SURGE (TAB MOUNT).....	51
THE SURGE (SCREW MOUNT).....	52
Q-GRIP (TAB MOUNT) .....	53
Q-GRIP (SCREW MOUNT).....	54
TUBES AND AIRLESS INSERTS .....	55
SEATING AND POSITIONING.....	55
SEAT .....	55
QXI DEPTH ADJUSTABLE SEAT SLING (Disc 8/15/16 & prior to S/N QXI-024000) .....	56
STANDARD SEAT SLING beginning QXI-024000 and all QX- serial numbers .....	57
BACK.....	58
BACK FRAME .....	58
INTEGRAL PUSH HANDLE BACKREST.....	59
OMIT PUSH HANDLE BACKREST.....	61
FOLD DOWN PUSH HANDLE BACKREST.....	62
ANGLE ADJUSTABLE BACKREST.....	63
NEW FOLDING PUSH HANDLE .....	65
BACK UPHOLSTERY .....	66
TENSION ADJUSTABLE BALLISTIC NYLON UPHOLSTERY.....	67
TENSION ADJUSTABLE 3DX VENTED UPHOLSTERY .....	70
STANDARD BACKREST UPHOLSTERY .....	73
TENSION ADJUSTABLE EXO UPHOLSTERY (Folding Chairs).....	74
EXO BACK UPHOLSTERY STD (Folding Chairs).....	80
HANGERS AND FOOTPLATES .....	83

EXTENSION MOUNT.....	83
60 DEG SWING IN/OUT HANGER .....	84
70 DEG SWING IN/OUT HANGER .....	85
80 DEG SWING IN/OUT HANGER .....	86
FOOTPLATES.....	86
COMPOSITE FOOTPLATE.....	87
COMPOSITE ANGLE ADJUSTABLE FOOT PLATE .....	91
ADULT ANGLE-ADJ FOOTPLATE EXT MOUNT .....	94
ELR prior to S/N QXI-018551 .....	97
ELEVATING HANGER QXI.....	98
ELR & ALR CALF PAD 14 -15" .....	101
ELR & ALR CALF PAD 16-20" .....	102
ELEVATING HEMI HANGER KNEE PAD.....	103
COMPOSITE FOOTPLATE.....	104
ELR/ALR ALUMINUM FOOTPLATE .....	108
ADULT ANGLE-ADJ FOOTPLATE EXT MOUNT .....	110
ELR after S/N QXI-018551 .....	113
FRONT MOUNT ELR.....	113
FRONT MOUNT ELR (LATCH STUD STYLE) (DISC. 2/6/17).....	114
90 DEG ELEVATING CALF PAD.....	116
FRONT MOUNT HANGER EXT.....	117
ADULT ANGLE-ADJ FOOTPLATE FRONT MOUNT.....	118
ELR ALR KNUCKLE COVERS .....	120
EXTENSION MOUNT ELR.....	120
EXTENSION MOUNT ELR RETROFIT (LATCH STUD STYLE) (DISC. 2/6/17) .....	121
EXTENSION MOUNT ELR REPLACEMENT PARTS (LATCH STUD STYLE) (DISC. 2/6/17) .....	122
ELR & ALR CALF PAD 14 -15" .....	124
ELR & ALR CALF PAD 16-20" .....	125
ELR/ALR ALUMINUM FOOTPLATE .....	126
ELR ALR KNUCKLE COVERS .....	128
ALR after S/N QXI-018551 .....	128
ALR (LATCH STUD STYLE) (DISC. 2/6/17) .....	129
ELR & ALR CALF PAD 14 -15" .....	131
ELR & ALR CALF PAD 16-20" .....	132
COMPOSITE ANGLE ADJUSTABLE FOOT PLATE .....	133
ADULT ALUMINUM ANGLE-ADJ FOOTPLATE EXT MOUNT .....	136
ELR/ALR ALUMINUM FOOTPLATE .....	139
ELR ALR KNUCKLE COVERS .....	141
SWING IN-OUT ELR & ALR (PLUNGER STYLE) (EFFECTIVE 2/6/17) .....	141
FRONT MOUNT ELR (PLUNGER STYLE) (EFFECTIVE 2/6/17).....	141
SWING IN-OUT FRONT MOUNT ELR RETRO KITS (PLUNGER STYLE) (EFFECTIVE 2/6/17) .....	142
SWING IN-OUT FRONT MOUNT ELR REPLACEMENT PARTS (PLUNGER STYLE) (EFFECTIVE 2/6/17) .....	143
90 DEG ELEVATING CALF PAD.....	145
FRONT MOUNT HANGER EXT.....	146
ADULT ANGLE-ADJ FOOTPLATE FRONT MOUNT.....	147
KIDS ANGLE ADJ FOOTPLATE FRONT MOUNT .....	149
EXTENSION MOUNT ELR & ALR (PLUNGER STYLE) (EFFECTIVE 2/6/17).....	151
SWING IN-OUT EXT MOUNT ELR & ALR RETROFIT (PLUNGER STYLE) (EFFECTIVE 2/6/17) .....	152
SWING IN-OUT EXT MOUNT ELR REPLACEMENT PARTS (PLUNGER STYLE) (EFFECTIVE 2/6/17) .....	153
SWING IN-OUT ALR EXT MNT REPLACEMENT PARTS (PLUNGER STYLE)(EFFECTIVE 2/6/17) .....	155
ELR & ALR CALF PAD 14 -15" .....	157
ELR & ALR CALF PAD 16-20" .....	158
EXTENSION MOUNT FOOTPLATES.....	158
COMPOSITE FOOTPLATE.....	159
COMPOSITE ANGLE ADJUSTABLE FOOT PLATE .....	163
ADULT ALUMINUM ANGLE-ADJ FOOTPLATE EXT MOUNT.....	166
KIDS ANGLE ADJUSTABLE FOOTPLATE EXT MOUNT .....	169
ELR/ALR ALUMINUM FOOTPLATE .....	171
ELR ALR KNUCKLE COVERS .....	173
ARMRESTS AND RECEIVERS .....	173
ARMRESTS.....	173
PADDED SWING AWAY ARMREST .....	174
SINGLE POST HEIGHT ADJUSTABLE ARMREST .....	175
FLIP BACK HEIGHT ADJ ARMREST QXI.....	177
FLIP BACK HEIGHT ADJUSTABLE LITE ARMREST .....	179
DUAL POST ARMREST (TRANSFER).....	180
RECEIVERS.....	180
PADDED SWING AWAY ARMREST RECEIVER.....	181
SINGLE POST ARMREST RECEIVER.....	182
SINGLE POST FLIP BACK ARMREST RECEIVER .....	183

FLIP BACK DUAL POST ARMREST RECEIVER.....	184
ACCESSORIES .....	184
ONE ARM DRIVE.....	184
ONE ARM DRIVE QXi.....	185
ONE ARM DRIVE QX.....	186
POSITIONING BELTS .....	186
AIRCRAFT BUCKLE POSITIONING BELTS & ATTACHMENT KITS .....	187
AUTO BUCKLE POSITIONING BELT & ATTACHMENT KITS.....	189
SIDE GUARDS.....	190
PLASTIC SIDEGUARD .....	191
SPOKE GUARDS.....	191
SPOKE GUARDS.....	192
BACKPACKS AND SEAT POUCHES.....	194
QUICKIE CADDY .....	195
CRUTCH HOLDER .....	196
IMPACT GUARD NEOPRENE & GEL VELCRO PADS.....	197
JAY LOWER EXTREMITY S/A SUPPORT .....	198
OXYGEN TANK HOLDER Qxi .....	199
TIRE PUMP .....	200
WATER BOTTLE AND CAGE.....	201

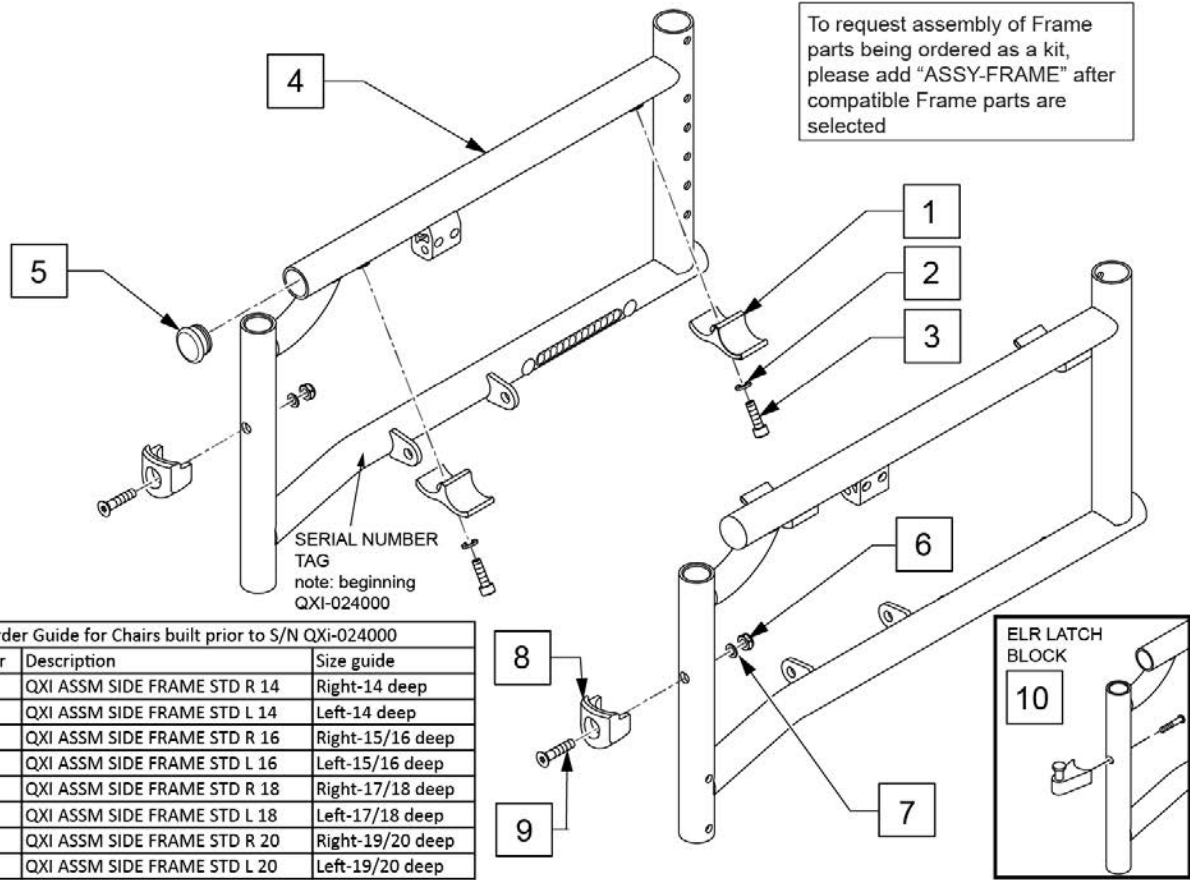
**GLOSSARY OF ABBREVIATIONS**

[12/10/2019]

Note: see Informations Panel for file.

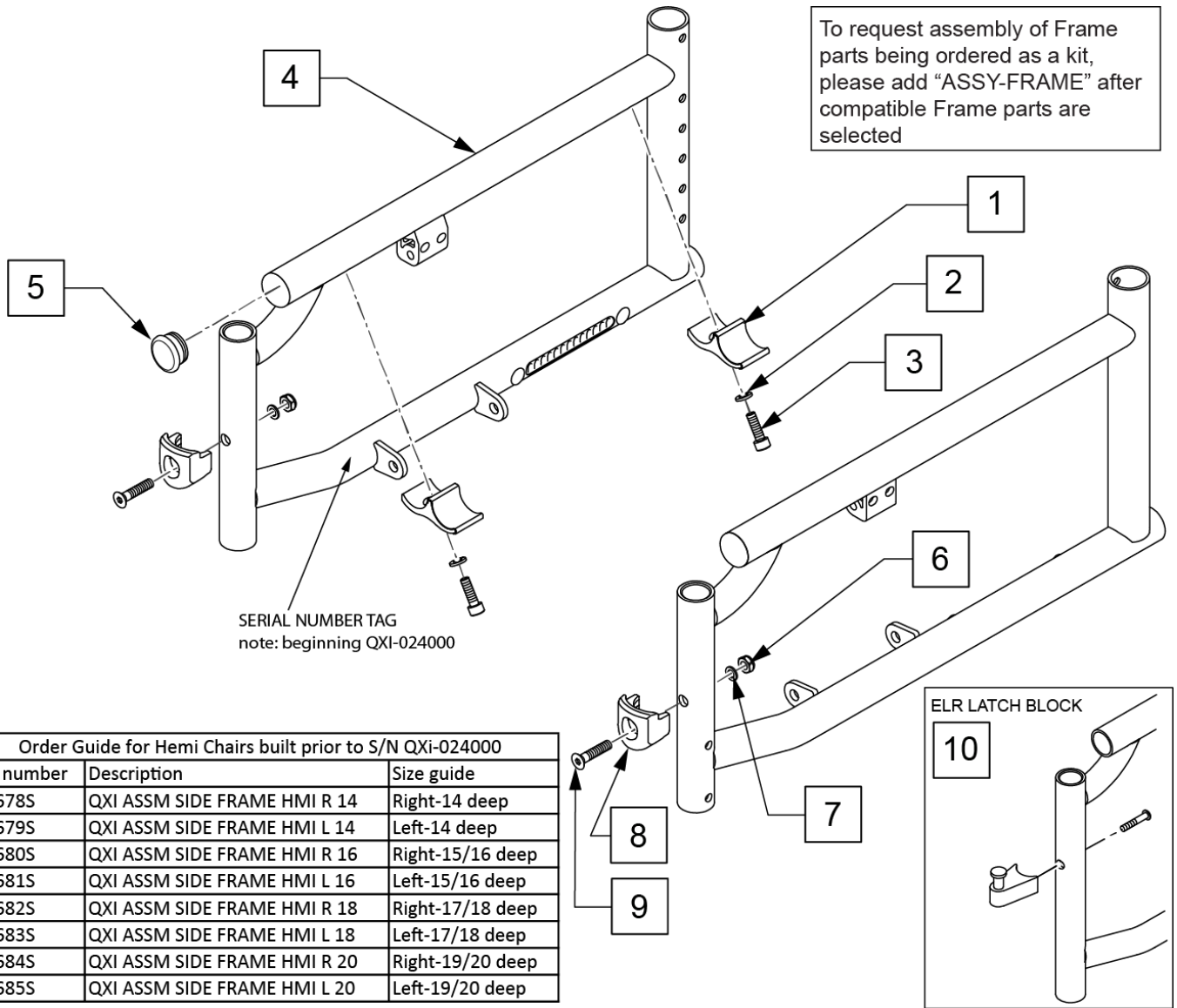
1AD One Arm Drive	CZ Cozy	INH Inhibit	PCB Pediatric Center of Gravity (AKA: Zippie Iris)	S/A Swing Away
3DCR 3DX Microclimatic cover for Cryo style inserts	DAB Depth-adjustable Back	INORG Inorganic coating	PCM Power Center Mount	S/F Side F frame
AAA Adult Angle Adjustable	DB Dynamic Back	INSRT Insert	PED Pediatric	SCW Screw
AACM Angle Adjustable Center Mount	DBL Double	I/O Swing In Out	PEL Pelvic	SDLE Saddle
ABD Abductor	DC Deep Contour	IRIS Intelligent Rotation in Space	PH Push Handle	SG Side Guard
AC All Court	DL Desk Length	ISM Intelligent Seating Module	PHIL Phillips	SGTG Super Grip Thumb Guard
AD Arm Drive	DP Dual Post Armrest	JA Jay Active	P/L Pin Lock	SHCS Socket Head Cap Screw
ADJ Adjustable	D-Post Dual Post Armrest	JNR Junior	PL Plated	SHLDR Shoulder
ADPT Adapter	D-PST Dual Post Armrest	KAA Kids Angle Adjustable	PLL Pull	SHT Short
AE Air Exchange	DRV Drive	KDS Kids	PLT Plate	SLD Solid
AHAB ASAP II	DTT Diagnostic Test Tool	KT Kit (usually consists of all mounting hardware for one side)	PLST Plastic	SLNG Sling
ANG Angle	DY Dynamic Back	KVLR Kevlar	PLY Plywood	SLTD Slotted
ALR Articulating Legrest	EA Each	KZ Quickie Kidz/Zippie Kidz	PNEU Pneumatic	SLV Sleeve
ALUM Aluminum	ELR Elevating Legrest	L Left	PNK Pink	SM Small
AMH Adjustable Mounting Hardware	EXT Extension	LAT Lateral	PNT Paint	SNGL Single
ANO Anodized	EXTND Extended	LCK Lock	PNTD Painted	SOC Socket
ASAP Adjustable Seating and Positioning	F Folding Frame	LFH Left Front Horizontal	POLY Polyurethane	SPCR Spacer
ASL Adaptive Switch Laboratories	FHCS Flat Head Cap Screw	LFT Left	POST Posterior	SPEC CLR Specify Color
ASM Assembly (includes other parts)	FL Full Length	LFV Left Front Vertical	PR Pressure Relieving	SPIA Single Post Height Adjustable
ASSM Assembly	FLD Folding	LH Left Hand	PR Power Recline	SPK Spoke
ASSMLY Assembly	FL FT Flip-up Footrest	LH Left Horizontal	PR Pair	SPR Super Grip Handrim
ASSY Assembly	FLP Flip	LK Lock	PR (PR) Pair	SQZ Squeeze
AT Anti-tip	FLRD Flared	LNG Long	PRCR Premium Leatherette cover for Cryo style inserts	SS Stainless Steel
ATT Attachment	FM Foam	LO Lift Off	PRE-ISC Pre-Ischial	ST Seat
BB Basketball	FM Front Mount	L/O Lift Off	PREM Premium Leatherette cover material	STAP Self Tapping
BC Breezy Chrome	FNDR Fender	LP Loop	PROJ Projection	STCR Stretch Cover for Cryo Style inserts
BCK Back	FPH Folding Push Handle	LPS Loops	PRPL Purple	STD Standard
BCKBRD Backboard	FT Foot	LRG Large	PTL Partial	STL Style
BH Bultion Head	F/REST Footrest	LRH Left Rear Horizontal	PSH Push	STR Stretch cover material
BHCS Bultion Head Cap Screw	FRNT Front	LRV Left Rear Vertical	PT Point	STRLR Stroller
BKL Buckle	FT PLT Footplate	LS Low Sheer	PTRN Pattern	STRT Straight
BKRST Backrest	FTRST Footrest	LT Long Tab	PWR Power	SUP Support
B-LOCK Back Lock	F/UP Flip-up	LT Natural Fit Lite Handrims	Q1 Quickie 1	SYS System
BLD Build Up	FWD Front Wheel Drive	LTRL Lateral	Q2 Quickie 2	T Tab
BLK Black	FXT Fixed	LUMB Lumber	Q2HP Quickie 2 High Performance	TG Thumb Guard (std)
BLU Blue	G8 Grade 8 higher grade = stronger	LV Left Vertical	QC Quickie Carbon	THRD Threaded
BR Breezy	GP Quickie GP	LW Low	QR Quick Release	Ti Titanium
BRD Board	GPS Quickie GPS	LX Quickie LX	QRx Quickie RX	TL Tall
BRNG Bearing	GPV Quickie GPV	LXI Quickie LXi	QTI Quickie Titanium	TLC Tilt Lift Comb
BRKT Bracket	GNRC Generic	MACH Machine	QT/QTs Quickie Tilt & Space	TLT Tilt
BSHNG Bushing	H Hole	MECH Mechanism	QUAD Quadrant Pad	TNNS Tennis
BT TN Bultion	HB High Brake	MED Medium	R Right	TIS Tilt-in-Space
BTTRY Battery	HD Head or Heavy Duty	mm Millimeter	RCLNR Recliner	TTS Tilt-in-Space
BZ Breezy	HVD Heavy Duty	MNT Mount	REC Receiver	UNIV Universal
CAA Composite Angle Adjustable	HDRST Headrest	MNTG Mounting	REG Regular	UNTHRD Unthreaded
CG Center of Gravity	HDWR Hardware	MOD Modify or Modification	REL Release	UPH Upholstery
CGT Center of Gravity Tilt (AKA: IRIS)	HEX Hexagon	M/S Machine Screw	REV Reverse	VERT Vertical
CHRGR Charger	HH Hemi-Height or Hex Head	MWD Mid Wheel Drive	RH Right Hand	W With
CJSM Color Joystick Module	HK Hook	Nat.Fit Natural Fit Handrim	RH Right Horizontal	W/ With
CLMP Clamp	HL Heel Loops	NAUG Naugahyde	RFH Right Front Horizontal	W/F Water Fall
CLNCHR Cincher	HM High Mount	NF Non-folding	RFV Right Front Vertical	W/O Without
CLR Clear	HNDL Handle	NF Natural Fit Handrim	RNUT(S) Rivnut(s)	WHL Wheel
COMP Complete	HNGR Hanger	NFLT Natural Fit Lite Handrim	RoHS Restriction of Hazardous Substances	WLDMNT Weldment
CMPST Composite	HP High Pressure	NR Non-recessed	RR Rear	XS Cross Spoke
CRM Chrome	HR Handrim	OBLIQ Obliquity	RRH Right Rear Horizontal	YLW Yellow
C/S Cap Screw	HRDWR Hardware	OD Oblique	RRV Right Rear Vertical	Z2 Zippie 2
C-S Countersunk	HRNSS Harness	OD Outer/Outside Dimension	RT Right	ZN Zinc
CSTR Caster	HS High Speed	O/S Old Style	RV Right Vertical	ZP Zippie
CUSH Cushion	HT Height or Heat Treated	OUTBRD Outboard	RV Quickie Revolution	ZP2 Zippie 2
CV Conventional	ID Inner/Inside Dimension Diameter	P1 Quickie P100	RWD Rear Wheel Drive	
CVR Cover	IN In/Out (for swing in/out hangers)	P2 Quickie P200	SA Swing Away	
CVRS Covers	INBRD Inboard	P3 Quickie P300		
CYL Cylinder	INC Incontinent	P5 Quickie/Zippie P500		

Pos.	Item Number	Description	Remarks
		GLOSSARY OF ABBREVIATIONS	see attachment in Informations Panel



Order Guide for Chairs built prior to S/N QXi-024000		
Part number	Description	Size guide
159686S	QXI ASSM SIDE FRAME STD R 14	Right-14 deep
159687S	QXI ASSM SIDE FRAME STD L 14	Left-14 deep
159688S	QXI ASSM SIDE FRAME STD R 16	Right-15/16 deep
159689S	QXI ASSM SIDE FRAME STD L 16	Left-15/16 deep
159690S	QXI ASSM SIDE FRAME STD R 18	Right-17/18 deep
159691S	QXI ASSM SIDE FRAME STD L 18	Left-17/18 deep
159692S	QXI ASSM SIDE FRAME STD R 20	Right-19/20 deep
159677S	QXI ASSM SIDE FRAME STD L 20	Left-19/20 deep

Pos.	Item Number	Description	Remarks
2	107362	WASHER SPLIT LOCK M6 ROHS	
3	102263-005	SHCS, M6X1X20, FULL, PL	
5	561002	1" INSERT PLUG	
1-3	120713	SEAT RAIL SADDLE W/ HDWR	
1-5	159686S	QXI ASSM SIDE FRAME STD R 14	Right-14 deep
1-5	159687S	QXI ASSM SIDE FRAME STD L 14	Left-14 deep
1-5	161169S	QXI ASSM SIDE FRAME STD R 15	Right-15
1-5	161170S	QXI ASSM SIDE FRAME STD L 15	Left-15
1-5	159688S	QXI ASSM SIDE FRAME STD R 16	Right-16 deep
1-5	159689S	QXI ASSM SIDE FRAME STD L 16	Left-16 deep
1-5	161171S	QXI ASSM SIDE FRAME STD R 17	Right-17
1-5	161172S	QXI ASSM SIDE FRAME STD L 17	Left-17
1-5	159690S	QXI ASSM SIDE FRAME STD R 18	Right-18 deep
1-5	159691S	QXI ASSM SIDE FRAME STD L 18	Left-18 deep
1-5	161173S	QXI ASSM SIDE FRAME STD R 19	Right-19
1-5	161174S	QXI ASSM SIDE FRAME STD L 19	Left-19
1-5	159692S	QXI ASSM SIDE FRAME STD R 20	Right-20 deep
1-5	159677S	QXI ASSM SIDE FRAME STD L 20	Left-20 deep
6-9	119514	LATCH RECEIVER KIT	For Swing in/out hangers
6	104381	NUT HEX NYLOCK M6X1.0	
7	104414	WAVE WASHER 6 MM	
9	103500-010	FHCSM6X1X35FULLNP	
10	107491	LATCH STUD KIT	For ELR only
		Ship assembled part #	Use with multiple assemblies
	ASSY-FRAME	FRAME ASSY REQUIRED	add with Frame kit



Order Guide for Hemi Chairs built prior to S/N QXi-024000		
Part number	Description	Size guide
159678S	QXI ASSM SIDE FRAME HMI R 14	Right-14 deep
159679S	QXI ASSM SIDE FRAME HMI L 14	Left-14 deep
159680S	QXI ASSM SIDE FRAME HMI R 16	Right-15/16 deep
159681S	QXI ASSM SIDE FRAME HMI L 16	Left-15/16 deep
159682S	QXI ASSM SIDE FRAME HMI R 18	Right-17/18 deep
159683S	QXI ASSM SIDE FRAME HMI L 18	Left-17/18 deep
159684S	QXI ASSM SIDE FRAME HMI R 20	Right-19/20 deep
159685S	QXI ASSM SIDE FRAME HMI L 20	Left-19/20 deep

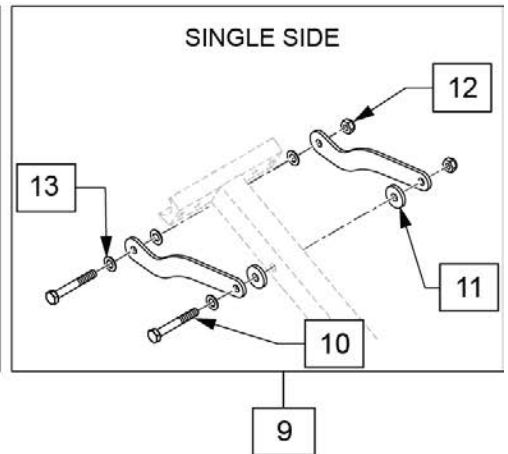
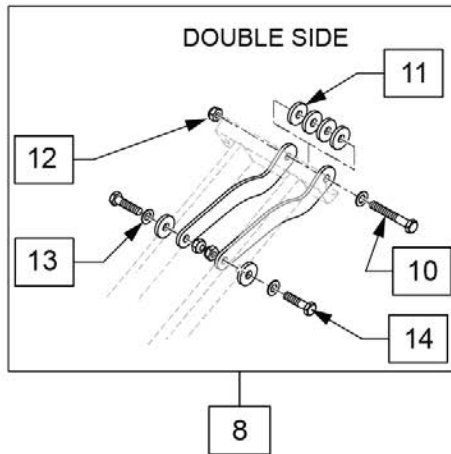
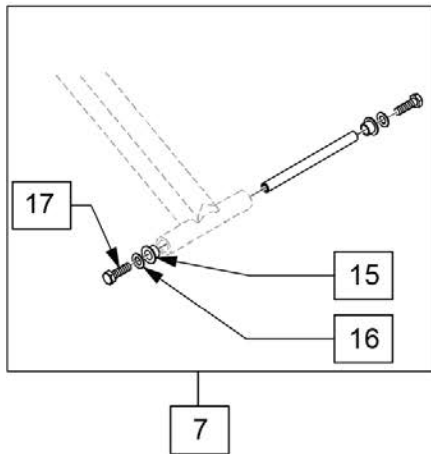
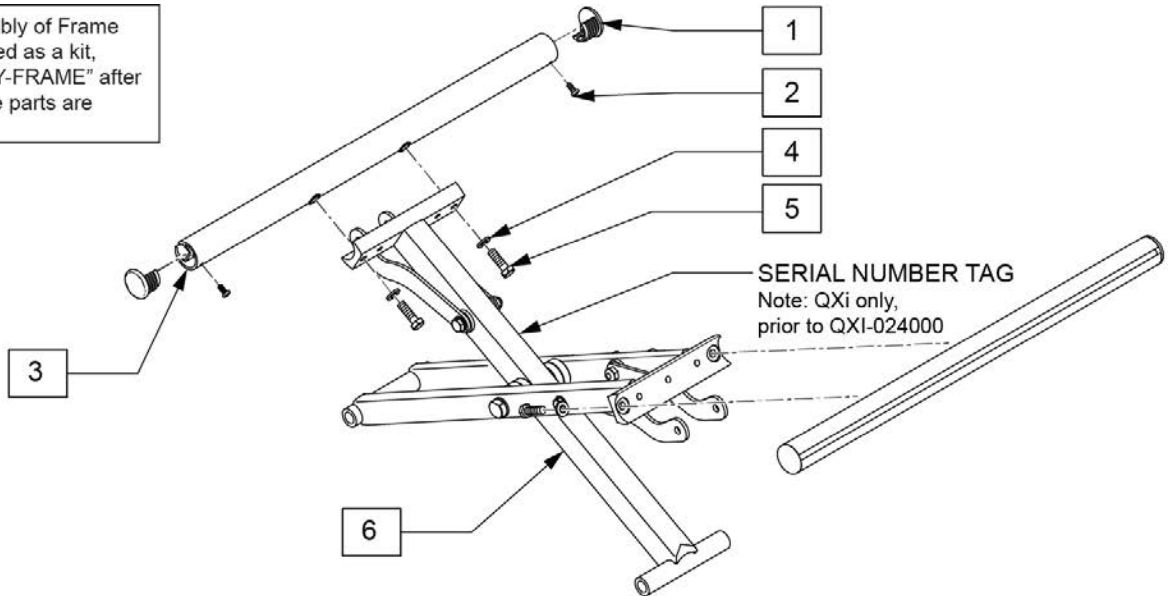
Pos.	Item Number	Description	Remarks
2	107362	WASHER SPLIT LOCK M6 ROHS	
3	102263-005	SHCS, M6X1X20, FULL, PL	
5	561002	1" INSERT PLUG	
1-5	159678S	QXI ASSM SIDE FRAME HMI R 14	Right-14 deep
1-5	159679S	QXI ASSM SIDE FRAME HMI L 14	Left-14 deep
1-5	161189S	QXI ASSM SIDE FRAME HMI R 15	Right-15
1-5	161190S	QXI ASSM SIDE FRAME HMI L 15	Left-15
1-5	159680S	QXI ASSM SIDE FRAME HMI R 16	Right-16 deep
1-5	159681S	QXI ASSM SIDE FRAME HMI L 16	Left-16 deep
1-5	161191S	QXI ASSM SIDE FRAME HMI R 17	Right-17
1-5	161192S	QXI ASSM SIDE FRAME HMI L 17	Left-17
1-5	159682S	QXI ASSM SIDE FRAME HMI R 18	Right-18 deep
1-5	159683S	QXI ASSM SIDE FRAME HMI L 18	Left-18 deep
1-5	161193S	QXI ASSM SIDE FRAME HMI R 19	Right-19
1-5	161194S	QXI ASSM SIDE FRAME HMI L 19	Left-19
1-5	159684S	QXI ASSM SIDE FRAME HMI R 20	Right-20 deep

<b>Pos.</b>	<b>Item Number</b>	<b>Description</b>	<b>Remarks</b>
1-5	159685S	QXI ASSM SIDE FRAME HMI L 20	Left-20 deep
6-9	119514	LATCH RECEIVER KIT	For Swing in/out hangers
6	104381	NUT HEX NYLOCK M6X1.0	
7	104414	WAVE WASHER 6 MM	
9	103500-010	FHCSM6X1X35FULLNP	
10	107491	LATCH STUD KIT	For ELR only
1-3	120713	SEAT RAIL SADDLE W/ HDWR	
		Ship assembled part #	Use with multiple assemblies
	ASSY-FRAME	FRAME ASSY REQUIRED	add with Frame kit



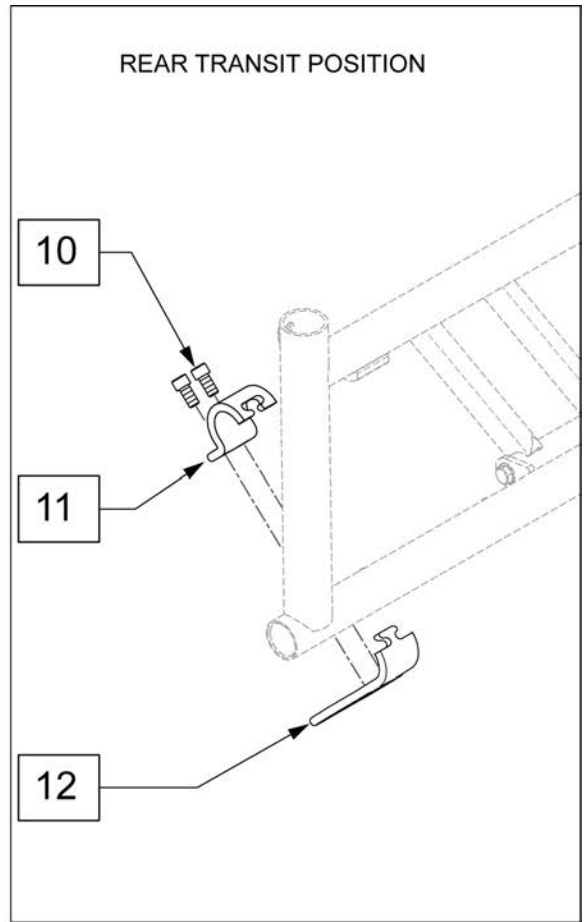
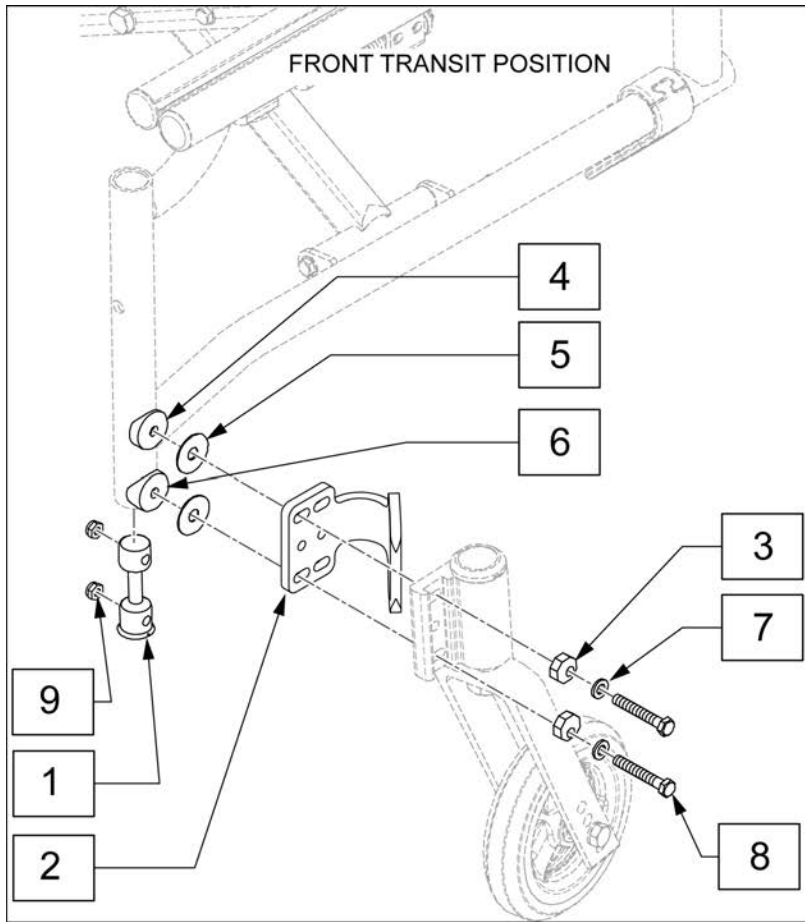
**NOTE:** Jay Duo is not compatible with the QXi due to cross brace issues.

To request assembly of Frame parts being ordered as a kit, please add "ASSY-FRAME" after compatible Frame parts are selected

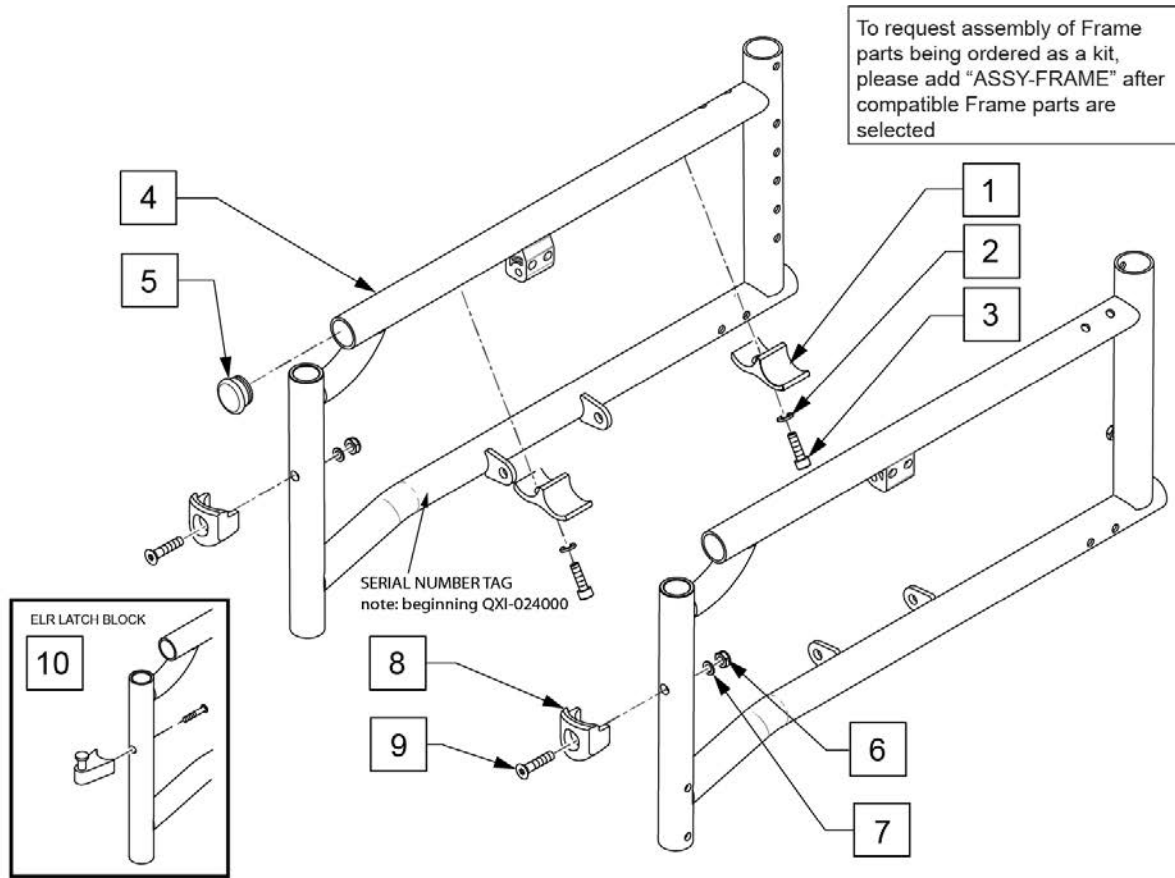


Pos.	Item Number	Description	Remarks
1,2	108117	SEAT RAIL END PLUG KIT	Set of 4
2	109819	SCREW #6 X 1/4 SELF TAPPING PHILIPS PAN HD ROHS	
1-5	120887	SEAT RAIL 14 DP W/HDWR	
1-5	120888	SEAT RAIL 15 DP W/HDWR	
1-5	120889	SEAT RAIL 16 DP W/HDWR	
1-5	120890	SEAT RAIL 17 DP W/HDWR	
1-5	120891	SEAT RAIL 18 DP W/HDWR	
1-5	120892	SEAT RAIL 19 DP W/HDWR	
1-5	120893	SEAT RAIL 20 DP W/HDWR	
4	106944	WASHER FLAT THIN AN 1/4 ROHS	
5	106995	HHCS M6X1X16 PL	
6	118394	ASSM CROSS BRACE 14	
6	118395	ASSM CROSS BRACE 15	
6	118396	ASSM CROSS BRACE 16	
6	118397	ASSM CROSS BRACE 17	

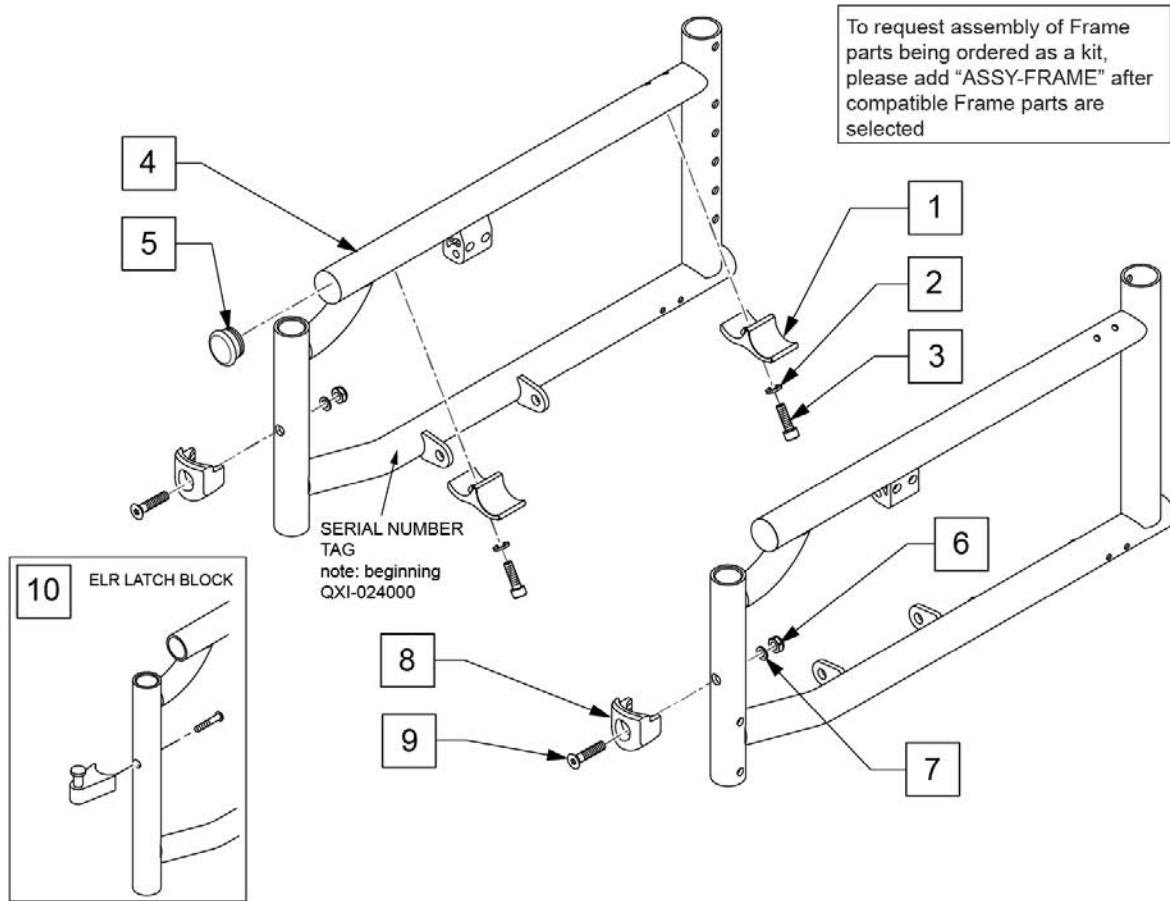
Pos.	Item Number	Description	Remarks
6	118398	ASSM CROSS BRACE 18	
6	118399	ASSM CROSS BRACE 19	
6	118400	ASSM CROSS BRACE 20	
7	120717	X-BRACE LWR HDWR EA	
8	120718	X-BRACE DBL SDE HDWR 14W	
8	120719	X-BRACE DBL SDE HDWR 15W	
8	120720	X-BRACE DBL SDE HDWR 16W	
8	120721	X-BRACE DBL SDE HDWR 17W	
8	120722	X-BRACE DBL SDE HDWR 18W	
8	120723	X-BRACE DBL SDE HDWR 19W	
8	120724	X-BRACE DBL SDE HDWR 20W	
9	120725	X-BRACE SNGL SDE HDWR 14W	
9	120726	X-BRACE SNGL SDE HDWR 15W	
9	120727	X-BRACE SNGL SDE HDWR 16W	
9	120728	X-BRACE SNGL SDE HDWR 17W	
9	120729	X-BRACE SNGL SDE HDWR 18W	
9	120730	X-BRACE SNGL SDE HDWR 19W	
9	120731	X-BRACE SNGL SDE HDWR 20W	
10	118665	HHCS M6X1X45 PART NP	
11	561026	3/4" WASHER 1/4" HOLE	
12	104381	NUT HEX NYLOCK M6X1.0	
13	106943	WASHER FLAT AN 1/4 ROHS	
14	104396	HHCS M6X1X30 PART NP	
15	050139	BEARING FLANGE 8MMIDX7.5MM LG	
16	106944	WASHER FLAT THIN AN 1/4 ROHS	
17	106995	HHCS M6X1X16 PL	
		Ship assembled part #	Use with multiple assemblies
	ASSY-FRAME	FRAME ASSY REQUIRED	add with Frame kit



Pos.	Item Number	Description
1	119029	CASTER MOUNT NUT RETAINER
3	119231	WASHER ECCENTRIC 6MM FLAT
4	561086	1" HALF SADDLE 1/4" HOLE
5	113268	WASHER NYLON 1IN OD X .312 ID
6	561004	1" SADDLE 1/4" HOLE
7	107383	WASHER FLAT M6 ROHS
8	119219	HHCS M6X1X45 SHLDR NP
9	104381	NUT HEX NYLOCK M6X1.0
10	107350	SHCS 1/4-28 X 1/2 PL ROHS
1-12	120751	TRANSIT KIT QXI



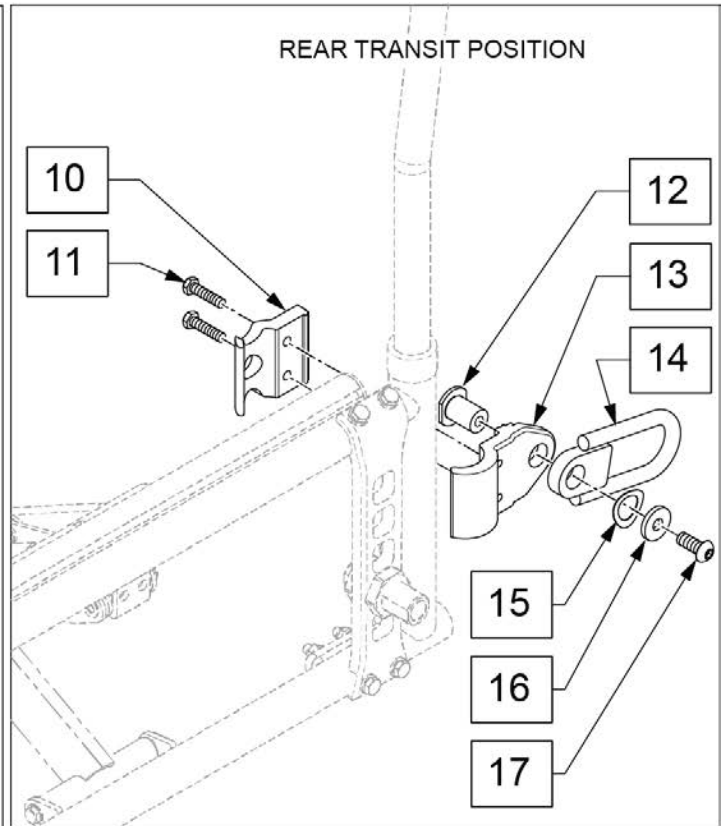
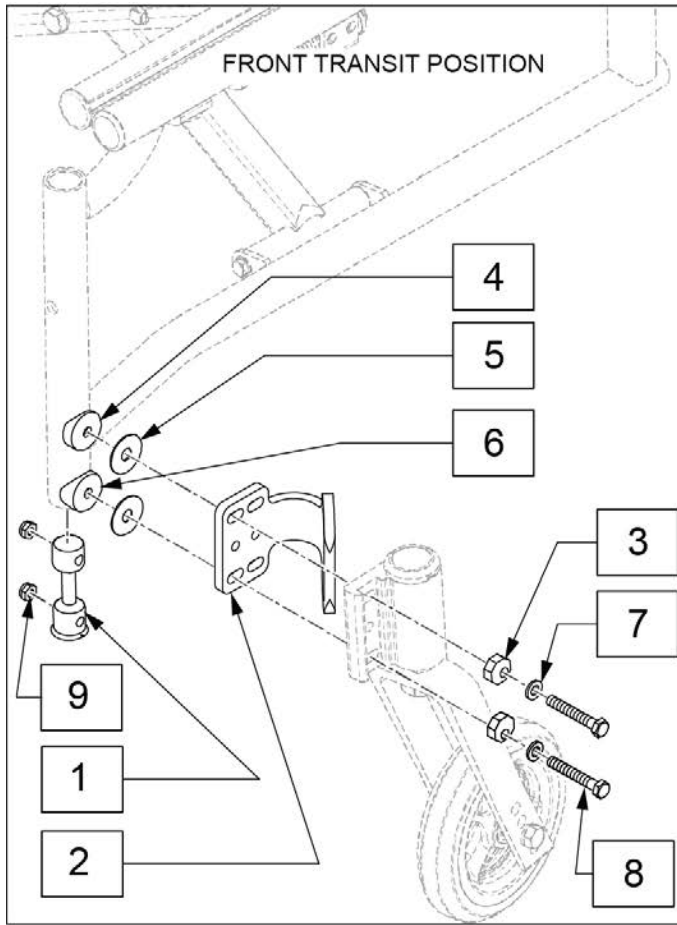
Pos.	Item Number	Description	Remarks
2	107362	WASHER SPLIT LOCK M6 ROHS	
3	102263-005	SHCS, M6X1X20, FULL, PL	
5	561002	1" INSERT PLUG	
1-3	120713	SEAT RAIL SADDLE W/ HDWR	
1-5	161175S	QX ASSM SIDE FRAME STD R 14	Right-14" deep
1-5	161176S	QX ASSM SIDE FRAME STD L 14	Left-14" deep
1-5	161177S	QX ASSM SIDE FRAME STD R 15	Right-15" deep
1-5	161178S	QX ASSM SIDE FRAME STD L 15	Left-15" deep
1-5	161179S	QX ASSM SIDE FRAME STD R 16	Right-16" deep
1-5	161180S	QX ASSM SIDE FRAME STD L 16	Left-16" deep
1-5	161181S	QX ASSM SIDE FRAME STD R 17	Right-17" deep
1-5	161182S	QX ASSM SIDE FRAME STD L 17	Left-17" deep
1-5	161183S	QX ASSM SIDE FRAME STD R 18"	Right-18" deep
1-5	161184S	QX ASSM SIDE FRAME STD L 18"	Left-18" deep
1-5	161185S	QX ASSM SIDE FRAME STD R 19"	Right-19" deep
1-5	161186S	QX ASSM SIDE FRAME STD L 19"	Left-19" deep
1-5	161187S	QX ASSM SIDE FRAME STD R 20"	Right-20" deep
1-5	161188S	QX ASSM SIDE FRAME STD L 20"	Left-20" deep
6-9	119514	LATCH RECEIVER KIT	For Swing in/out hangers
6	104381	NUT HEX NYLOCK M6X1.0	
7	104414	WAVE WASHER 6 MM	
9	103500-010	FHCSM6X1X35FULLNP	
10	107491	LATCH STUD KIT	For ELR only
		Ship assembled part #	Use with multiple assemblies
	ASSY-FRAME	FRAME ASSY REQUIRED	add with Frame kit



Pos.	Item Number	Description	Remarks
2	107362	WASHER SPLIT LOCK M6 ROHS	
3	102263-005	SHCS, M6X1X20, FULL, PL	
5	561002	1" INSERT PLUG	
1-5	161195S	QX ASSM SIDE FRAME HMI R 14	Right-14 deep
1-5	161196S	QX ASSM SIDE FRAME HMI L 14	Left-14 deep
1-5	161197S	QX ASSM SIDE FRAME HMI R 15	Right-15
1-5	161198S	QX ASSM SIDE FRAME HMI L 15	Left-15
1-5	161199S	QX ASSM SIDE FRAME HMI R 16	Right-16 deep
1-5	161200S	QX ASSM SIDE FRAME HMI L 16	Left-16 deep
1-5	161201S	QX ASSM SIDE FRAME HMI R 17	Right-17
1-5	161202S	QX ASSM SIDE FRAME HMI L 17	Left-17
1-5	161203S	QX ASSM SIDE FRAME HMI R 18	Right-18 deep
1-5	161204S	QX ASSM SIDE FRAME HMI L 18	Left-18 deep
1-5	161205S	QX ASSM SIDE FRAME HMI R 19	Right-19
1-5	161206S	QX ASSM SIDE FRAME HMI L 19	Left-19
1-5	161207S	QX ASSM SIDE FRAME HMI R 20	Right-20 deep
1-5	161208S	QX ASSM SIDE FRAME HMI L 20	Left-20 deep
6-9	119514	LATCH RECEIVER KIT	For Swing in/out hangers
6	104381	NUT HEX NYLOCK M6X1.0	
7	104414	WAVE WASHER 6 MM	
9	103500-010	FHCSM6X1X35FULLNP	
10	107491	LATCH STUD KIT	For ELR only
1-3	120713	SEAT RAIL SADDLE W/ HDWR	
		Ship assembled part #	Use with multiple assemblies

Pos.	Item Number	Description	Remarks
	ASSY-FRAME	FRAME ASSY REQUIRED	add with Frame kit

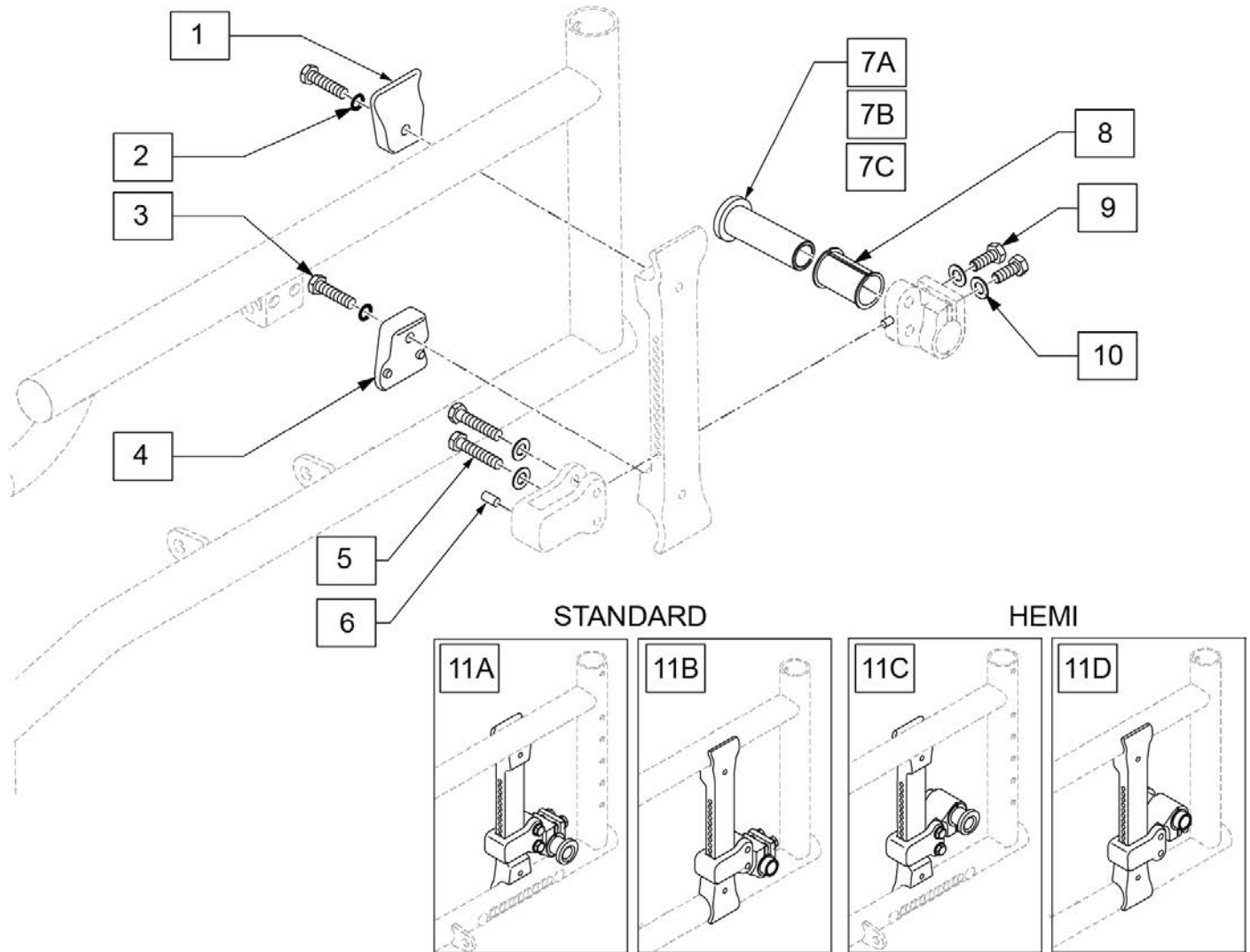
Note: Transit is available only on the QXI for U.S. chairs.



18 TRANSIT FASTENER KIT			
POS #	ILLUSTRATION	DESCRIPTION	QTY
3		WASHER ECCENTRIC 6MM FLAT	4
4		1" HALF SADDLE 1/4" HOLE	2
5		WASHER NYLON 1IN OD X .312 ID	4
6		Q2 SADDLE	2
7		WASHER FLAT M6	4
8		HHCS M6X1.45 SHLDR NP	4
9		NUT HEX NYLOCK M6X1.0	4
11		HHCS M6X1.25 PL	4
12		TRANSIT PIVOT THREADED	2
15		CURVED WASHER SPRING	2
16		5/16 WASHER 1/8" THK	2
17		BHCS M8 X 1.25	2

Pos.	Item Number	Description	Remarks
10	134050	TRANSIT CLAMP INSIDE	
13	134049	TRANSIT CLAMP OUTSIDE	
14	126349	TRANSIT PIVOT REAR PLATE WELDM	
18	161223	TRANSIT FASTENER KIT	2 SIDES
1-17	161224	WC19 TRANSIT KIT QXI	

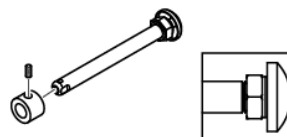

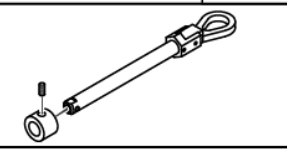



Note: Axle Sleeves (p/n 129777 & 129778) are retrofittable to prior to QXi chairs.



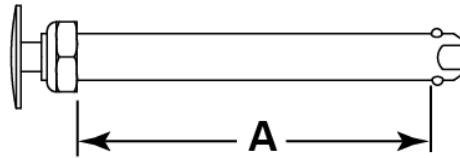
Pos.	Item Number	Description	Remarks
1	118461	INDEXING AP UPPER CLAMP	
2	119712	WASHER SERRATED 1/4"	
3	118194	HHCS M6 x 1 x 25 PL	
4	118462	INDEXING AP LOWER CLAMP	
5	107685	HHCS M6X1X30 PART NP	not sold separately; only available in 11A-11D kits
6	242943	SET SCREW M6 X 8MM FLAT TIP	not sold separately; only available in 11A-11D kits
7A	129777	QXI AXLE SLEEVE 0 DEG	
7B	129778	QXI AXLE SLEEVE 3 DEG	
7C	118466	INDEXING AP AXLE SLEEVE	STD on QXI model & adj camber 0D or 3D
8	118465	INDEXING AP CAMBER SLEEVE	
9	106995	HHCS M6X1X16 PL	
10	106944	WASHER FLAT THIN AN 1/4 ROHS	
11A	119708	ASSEMBLY AXLE PLATE STD R	Right w/ Adj Camber (0D/3D); order clamps 120883 & 120884 separately
11B	119709	ASSEMBLY AXLE PLATE STD L	Left w/ Adj Camber (0D/3D); order clamps 120883 & 120884 separately
11A	158682	AP ASSM STD RH 0DEG CMBR	Right Fixed 0D Camber; order clamps 120883 & 120884 separately



Pos.	Item Number	Description	Remarks
11B	158685	AP ASSM STD LH 0DEG CMBR	Left Fixed 0D Camber; order clamps 120883 & 120884 separately
11A	158683	AP ASSM STD RH 3DEG CMBR	Right Fixed 3D Camber; order clamps 120883 & 120884 separately
11B	158686	AP ASSM STD LH 3 DEG CMBR	Left Fixed 3D Camber; order clamps 120883 & 120884 separately
11C	119710	ASSEMBLY AXLE PLATE HEMI R	Right Hemi w/ Adj Camber (0D/3D); order clamps 120883 & 120884 separately
11D	119711	ASSEMBLY AXLE PLATE HEMI L	Left Hemi w/ Adj Camber (0D/3D); order clamps 120883 & 120884 separately
11C	158688	AP ASSM HEMI RH 0DEG CMBR	Right Hemi Fixed 0D Camber; order clamps 120883 & 120884 separately
11D	158691	AP ASSM HEMI LH 0DEG CMBR	Left Hemi Fixed 0D Camber; order clamps 120883 & 120884 separately
11C	158689	AP ASSM HEMI RH 3DEG CMBR	Right Hemi Fixed 3D Camber; order clamps 120883 & 120884 separately
11D	158692	AP ASSM HEMI LH 3DEG CMBR	Left Hemi Fixed 3D Camber; order clamps 120883 & 120884 separately
1-3	120883	TOP INDEX AXLE PLT CLMP	
2-4	120884	BTM INDEX AXLE PLT CLMP	

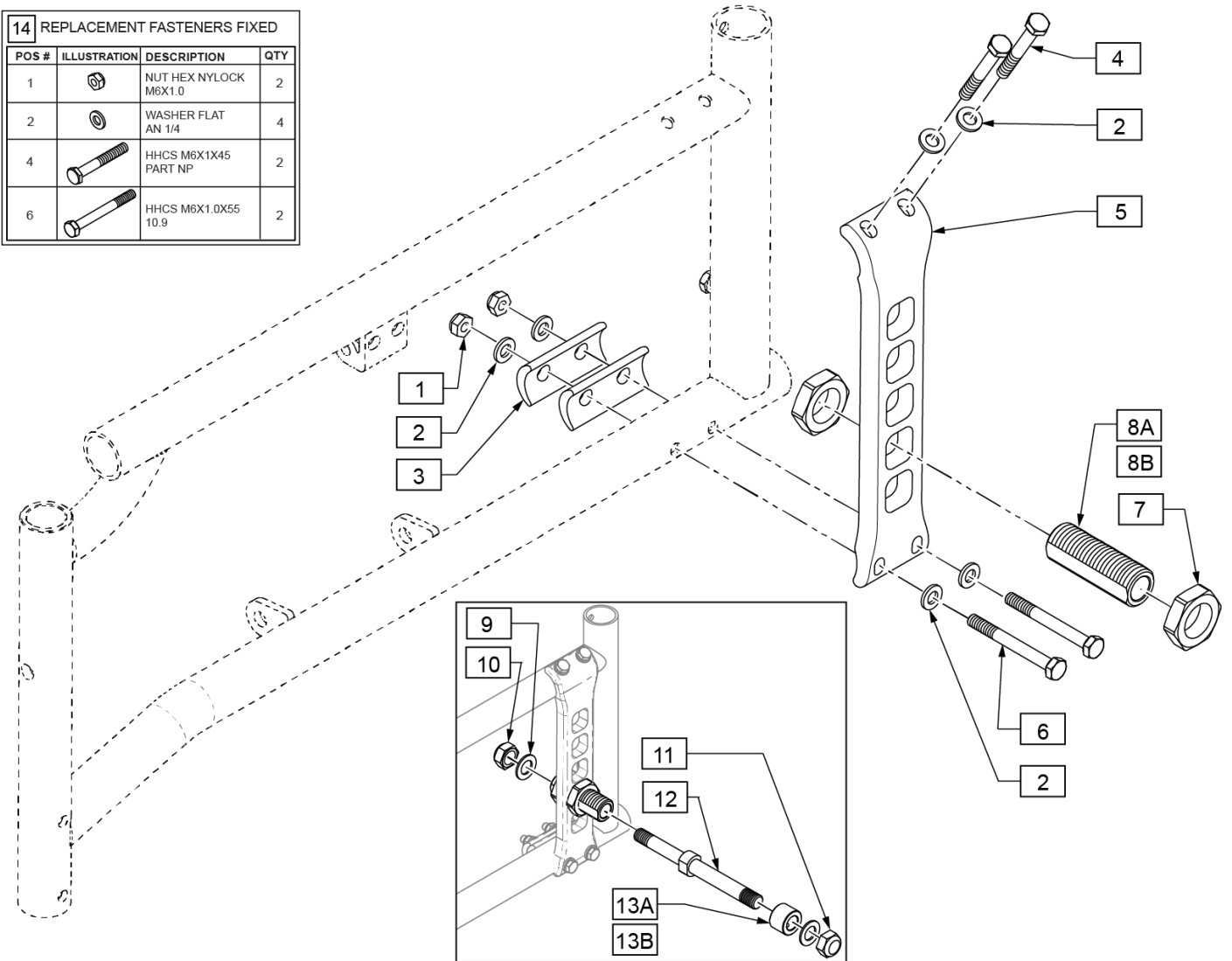
Wheel Type	Axle Type		Axle P/N	Spacer P/N
6 Spoke Mag	Quick Release	1A 	922356 Includes Spacer A = 4 3/4"	2A  920117
	Quad Quick Release	1B 	920172 Includes Spacer A = 4 3/4"	2A  920117
Lite Spoke, One Arm Drive Lite Spoke	Quick Release	1C 	107268 A = 4 1/4"	N/A
5 Spoke Mag	Quick Release	1D 	109385 A = 4 1/2"	N/A

Quick Release Measuring Guide



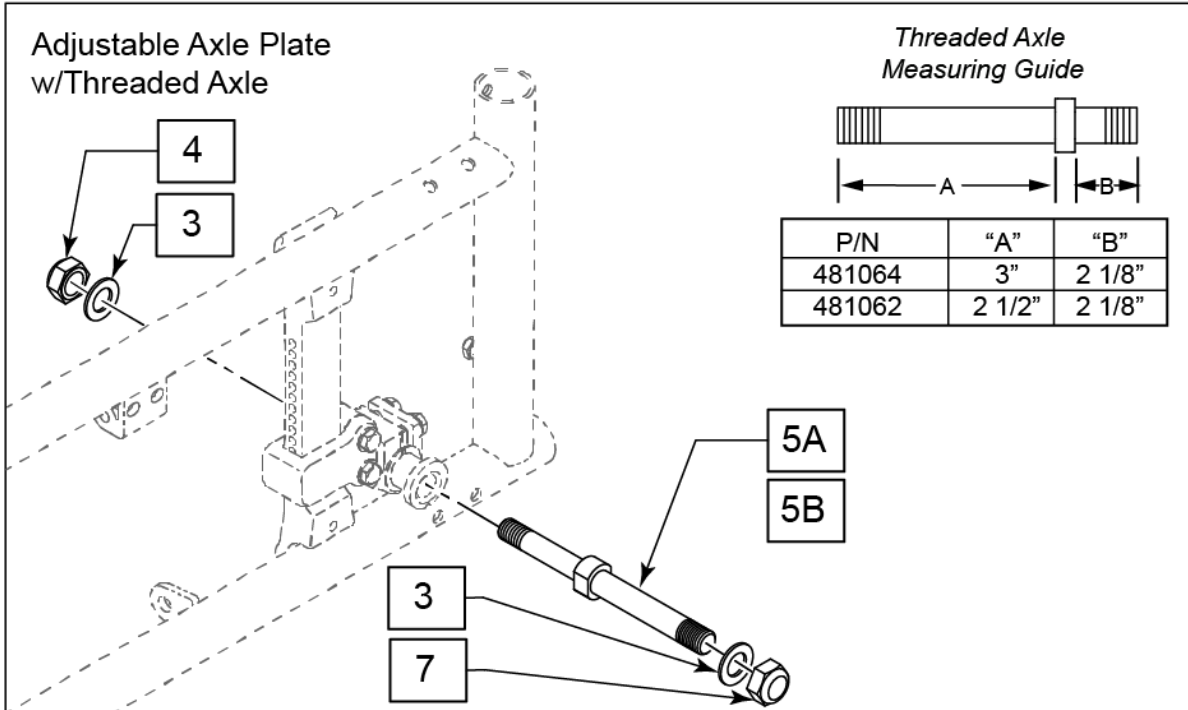
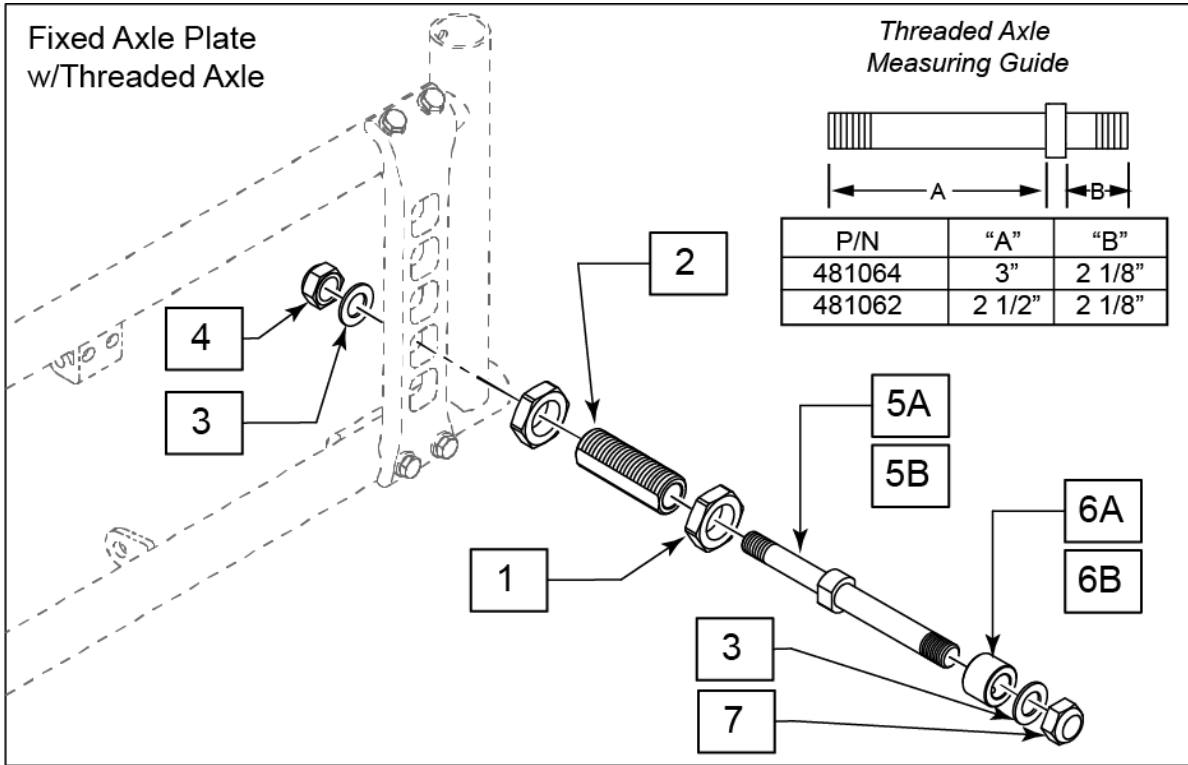
Pos.	Item Number	Description	Remarks
1A	922356	QR AXLE BIG BUTTON W/SPACER	includes spacer
1B	922170	QR AXLE W/QUAD NUT PUSH BUTTON	
1C	107268	QR AXLE AND NUT SHORT BIG BUTTON	
1D	109385	QR AXLE/NUT LONG BG BTTN	
2A	920117	MAG SPACER 6S W/SET SCREW	

14 REPLACEMENT FASTENERS FIXED			
POS #	ILLUSTRATION	DESCRIPTION	QTY
1		NUT HEX NYLOCK M6X1.0	2
2		WASHER FLAT AN 1/4	4
4		HHCS M6X1X45 PART NP	2
6		HHCS M6X1.0X55 10.9	2



Pos.	Item Number	Description	Remarks
1	104381	NUT HEX NYLOCK M6X1.0	
2	106943	WASHER FLAT AN 1/4	
3	104008	CAMBER SPACER	
4	118665	HHCS M6X1X45 PART NP	
5	134137	FIXED AXLE PLATE	
6	118669	HHCS M6X1X55 PART NP	
7	104195	NUT JAM ALUMINUM 20MM X 1.5	
8A	104196	AXLE SLEEVE 20MM NONADJ	used w/Quick Release Axles
8B	134660	AXLE SLEEVE SS 7/16 ID M20 OD	used w/Threaded Axles
9	106949	WASHER FLAT AN 1/2	
10	202223	7/16-20 NYLOCK NUT THIN	
11	106940	NUT NYLOCK THIN 1/2-20	
12	481064	REAR AXLE SPOKE THREADED BR	
13A	920117	MAG SPACER 6S W/SET SCREW	used w/ Mag Wheel
13B	483058	1 AD WHEEL SPACER	used w/Spoke Wheel
14	161226	REPLACEMENT FASTENERS FXD	One side
7,8A	161225	AXLE SLEEVE W/NUTS	One side
1-7,8A	161227	FIXED AXLE REPLACEMENT ASSM	One side

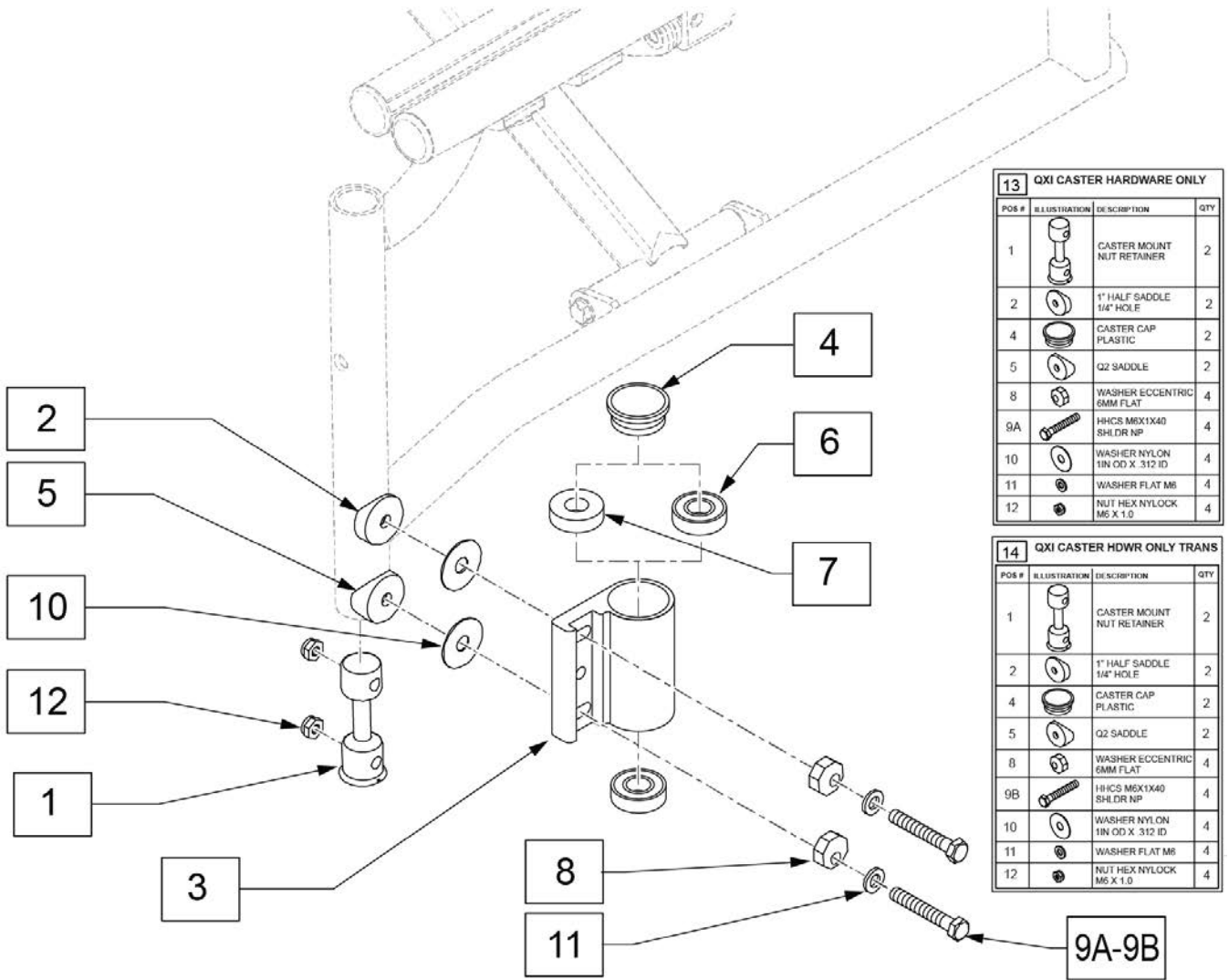
<b>Pos.</b>	<b>Item Number</b>	<b>Description</b>	<b>Remarks</b>
1-7,8B,9-12,13A	161228	BOLT ON AXLE ASSM MAG	
1-7,8B,9-12,13B	161229	BOLT ON AXLE ASSM SPOKE	



Pos.	Item Number	Description	Remarks
1	104195	NUT JAM ALUMINUM 20MM X 1.5	
2	134660	AXLE SLEEVE SS 7/16 ID M20 OD	
3	263120	7/16 AN WASHER	
4	202223	7/16-20 NYLOCK NUT THIN	
5A	481062	REAR AXLE MAG THREADED BR/LXI	used w/ Mag Wheel
5B	481064	REAR AXLE SPOKE THREADED BR	used w/Spoke Wheel
6A	920117	MAG SPACER 6S W/SET SCREW	used w/ Mag Wheel
6B	483058	1 AD WHEEL SPACER	used w/Spoke Wheel
7	106940	NUT NYLOCK THIN 1/2-20	
1-4,5A,6A,7	161228	BOLT ON AXLE ASSM MAG	One side: used w/Mag Wheel and Fixed Axle Plate
1-4,5B,6B,7	161229	BOLT ON AXLE ASSM SPOKE	One side; used w/Spoke Wheel and Fixed Axle Plate
3,4,5A,7	920108	AXLE THRD MAG(ADJ AXLE PLT) LX	One side: used w/Mag Wheel
3,4,5B,7	920109	AXLE THRD SPK(ADJ AXLE PLT) LX	One side; used w/Spoke Wheel

**CASTER PLATES**

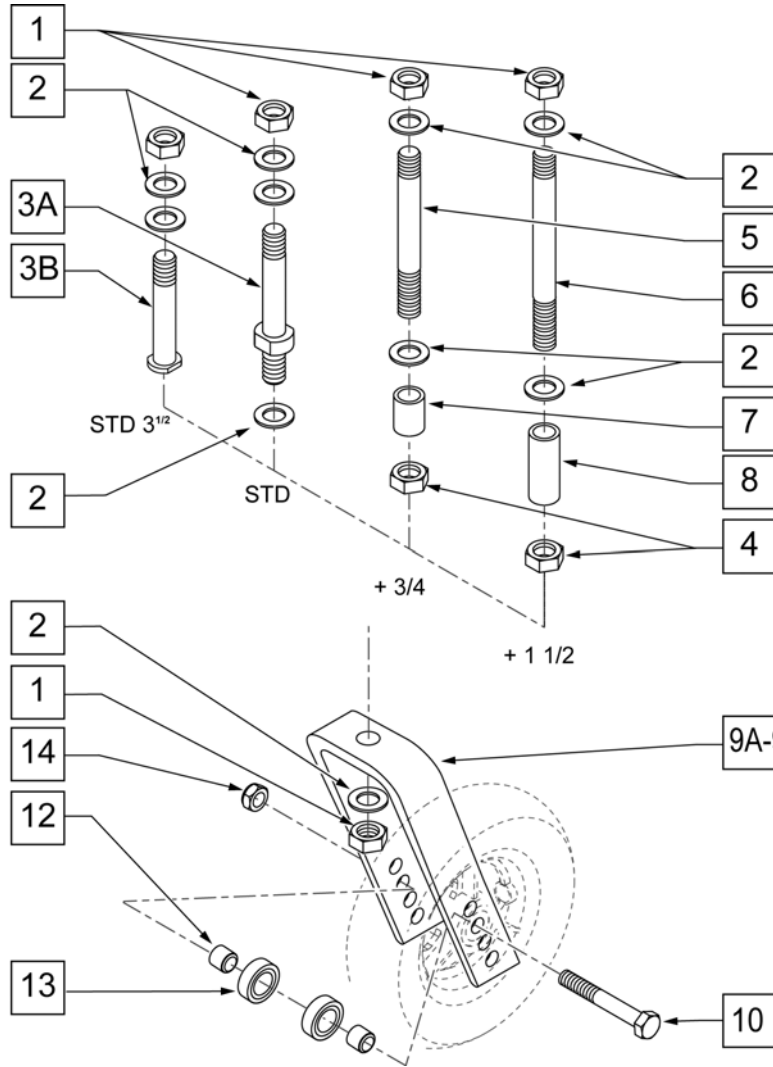
[03/12/2020]



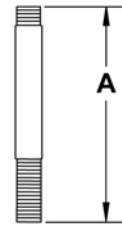
13 QXI CASTER HARDWARE ONLY			
POS #	ILLUSTRATION	DESCRIPTION	QTY
1		CASTER MOUNT NUT RETAINER	2
2		1" HALF SADDLE 1/4" HOLE	2
4		CASTER CAP PLASTIC	2
5		G2 SADDLE	2
8		WASHER ECCENTRIC 6MM FLAT	4
9A		HHCS M6X1X40 SHLDR NP	4
10		WASHER NYLON 1IN OD X .312 ID	4
11		WASHER FLAT M6	4
12		NUT HEX NYLOCK M6 X 1.0	4

14 QXI CASTER HDWR ONLY TRANS			
POS #	ILLUSTRATION	DESCRIPTION	QTY
1		CASTER MOUNT NUT RETAINER	2
2		1" HALF SADDLE 1/4" HOLE	2
4		CASTER CAP PLASTIC	2
5		G2 SADDLE	2
8		WASHER ECCENTRIC 6MM FLAT	4
9B		HHCS M6X1X45 SHLDR NP	4
10		WASHER NYLON 1IN OD X .312 ID	4
11		WASHER FLAT M6	4
12		NUT HEX NYLOCK M6 X 1.0	4

Pos.	Item Number	Description	Remarks
1	119029	CASTER MOUNT NUT RETAINER	
2	561086	1" HALF SADDLE 1/4" HOLE	
4	561070	CASTER CAP PLASTIC	
4	920028	CASTER CAP PLASTIC	Pair
5	561004	1" SADDLE 1/4" HOLE	
6	349500	1 1/8 x 1/2 BEARING	
7	561050	ANTI-FLUTTER BUSHING	
8	119231	WASHER ECCENTRIC 6MM FLAT	
9A	119218	HHCS M6X1X40 SHLDR NP	Used w/ Non-Transit
9B	119219	HHCS M6X1X45 SHLDR NP	Used w/ Transit Brackets
10	113268	WASHER NYLON 1" OD x .312 ID	
11	107383	WASHER M6 FLAT ROHS	
12	104381	NUT HEX NYLOCK M6X1.0	
13	120885	QXI CSTR HDWR ONLY	Used w/ Non-Transit; kit includes hardware for both sides
14	120886	QXI CSTR HDWR ONLY TRANS	Used w/ Transit Brackets; kit includes hardware for both sides
3, 6	780204	CASTER PLATE HI ANGLE DOUBLE BEARING	Right
3, 6	780205	CASTER PLATE HI ANGLE DOUBLE BEARING	Left
3, 6, 7	780206	CASTER PLATE HI ANG R SNG BEARING	Right - Use with 8" caster only
3, 6, 7	780207	CASTER PLATE HI ANG L SNG BEARING	Left - Use with 8" caster only

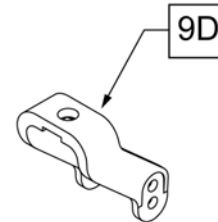


MEASURING GUIDE



	PART NUMBER	"A"
STD (for 3 1/2 fork)	118942	3"
STD	920050	3 5/8"
+ 3/4	920100	4 3/8"
+1 1/2	920110	5 1/8"

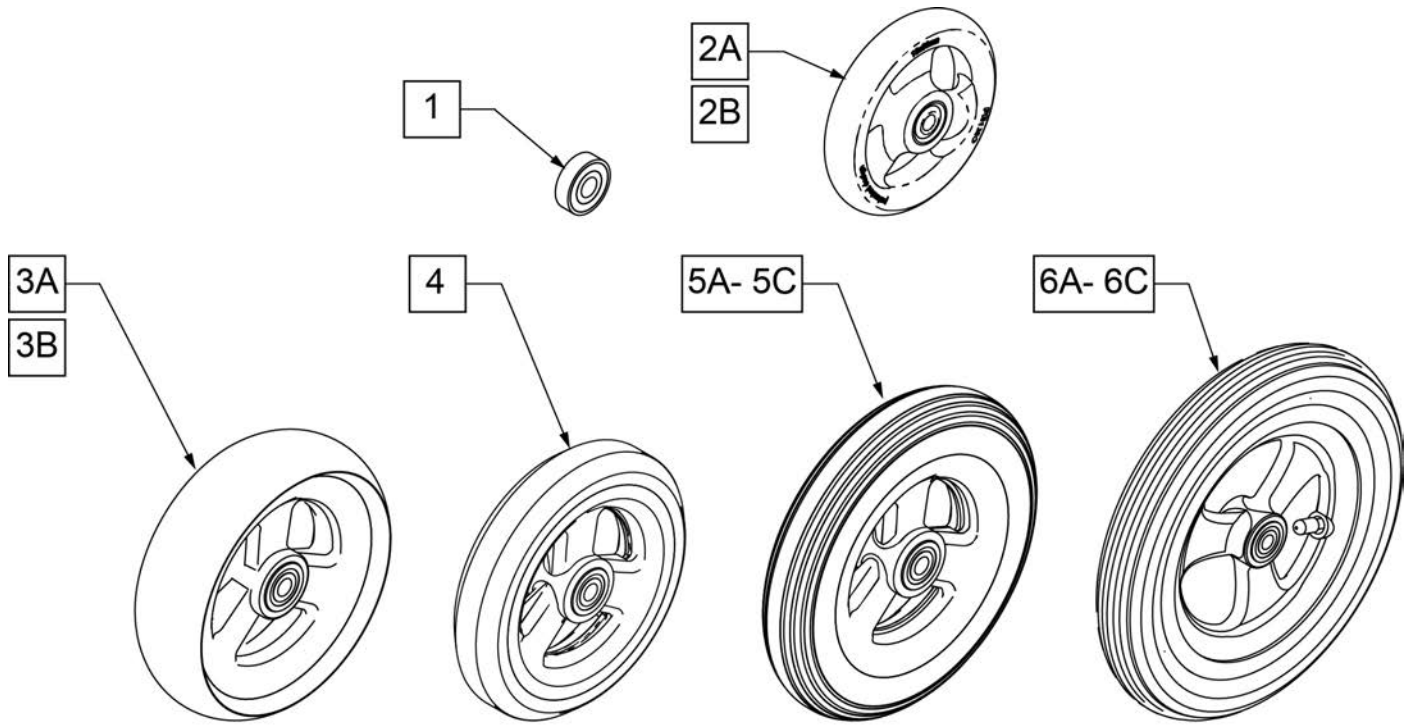
NOTE: CASTER STEM DIAMETER IS 1/2".



Pos.	Item Number	Description	Remarks
1	106940	NUT NYLON THIN 1/2 -20 ROHS	
2	106949	WASHER FLAT AN 1/2 ROHS	
3B	118942	INDEXING FORK STEM BOLT	For 3 1/2" Fork
1-3A	920050	REG CASTER STEM W/ HARDWARE	STD Stem
4	203110	1/2 - 20 JAM NUT	
7	521560	+ 3/4 CASTER STEM SPACER BLK	+3/4" Stem
8	521562	+ 1 1/2 CASTER STEM SPACER BLK	+1 1/2" Stem
9A	105839-001	FORK CASTER 5 1/4"	Works w/ 4", 5", 6", & 8" Casters
9B	105839-002	FORK CASTER 6"	Works w/ 4", 5", 6", & 8" Casters
9C	105839-003	FORK CASTER 7"	Works w/ 4", 5", 6", & 8" Casters
9D	118941	FORK CASTER 3 1/2"	Works w/ 4" & 5" Casters
10	106987	HHCS 5/16 -24 x 2 1/2 ROHS	
12	481113	BEARING SPACER	
13	349502	7/8 x 5/16 BEARING	
14	106939	NUT NYLOCK THIN 5/16 -24 ROHS	
1, 2, 4, 5, 7	920100	+ 3/4 CASTER STEM W/ HARDWARE BLK	+3/4" Stem
1, 2, 4, 6, 8	920110	+ 1 1/2 CASTER STEM W/ HARDWARE BLK	+1 1/2" Stem
1-3B,9D	120714	FORK CASTER 3 1/2 REG STEM	STD Stem - 3 1/2" Fork - Works w/ 4" & 5" Casters
1-3A,9A,10A,12	109335	FORK CASTER 5 1/4 REG STEM	STD Stem - 5 1/4" Fork - Works w/ 4", 5", 6", & 8" Casters

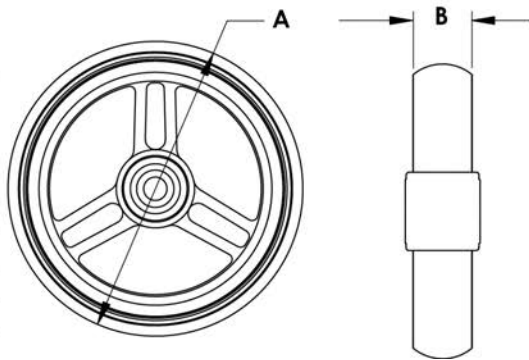


<b>Pos.</b>	<b>Item Number</b>	<b>Description</b>	<b>Remarks</b>
1,2,4,5,7,9A,10,12	109336	FORK CASTER 5 1/4" + 3/4" STEM	+3/4" Stem - 5 1/4" Fork - Works w/ 4", 5", 6", & 8" Casters
1,2,4,6,8,9A,10	109337	FORK CASTER 5 1/4" + 1 1/2" STEM	+1 1/2" Stem - 5 1/4" Fork - Works w/ 4", 5", 6", & 8" Casters
1-3A,9B,10,12	109338	FORK CASTER 6" REG STEM	STD Stem - 6" Fork - Works w/ 4", 5", 6", & 8" Casters
1,2,4,5,7,9B,10	109339	FORK CASTER 6"+ 3/4" STEM	+ 3/4" Stem - 6" Fork - Works w/ 4", 5", 6", & 8" Casters
1,2,4,6,8,9B,10	109340	FORK CASTER 6" + 1 1/2" STEM	+1 1/2" Stem - 6" Fork - Works w/ 4", 5", 6", & 8" Casters
1-3A,9C,10,12	109341	FORK CASTER 7" REG STEM	STD Stem - 7" Fork - Works w/ 4", 5", 6", & 8" Casters
1,2,4,5,7,9C,10,12	109342	FORK CASTER 7" + 3/4" STEM	+3/4" Stem - 7" Fork - Works w/ 4", 5", 6", & 8" Casters
1,2,4,6,8,9C,10,12	109343	FORK CASTER 7" + 1/1/2" STEM	+1 1/2" Stem - 7" Fork - Works w/ 4", 5", 6", & 8" Casters

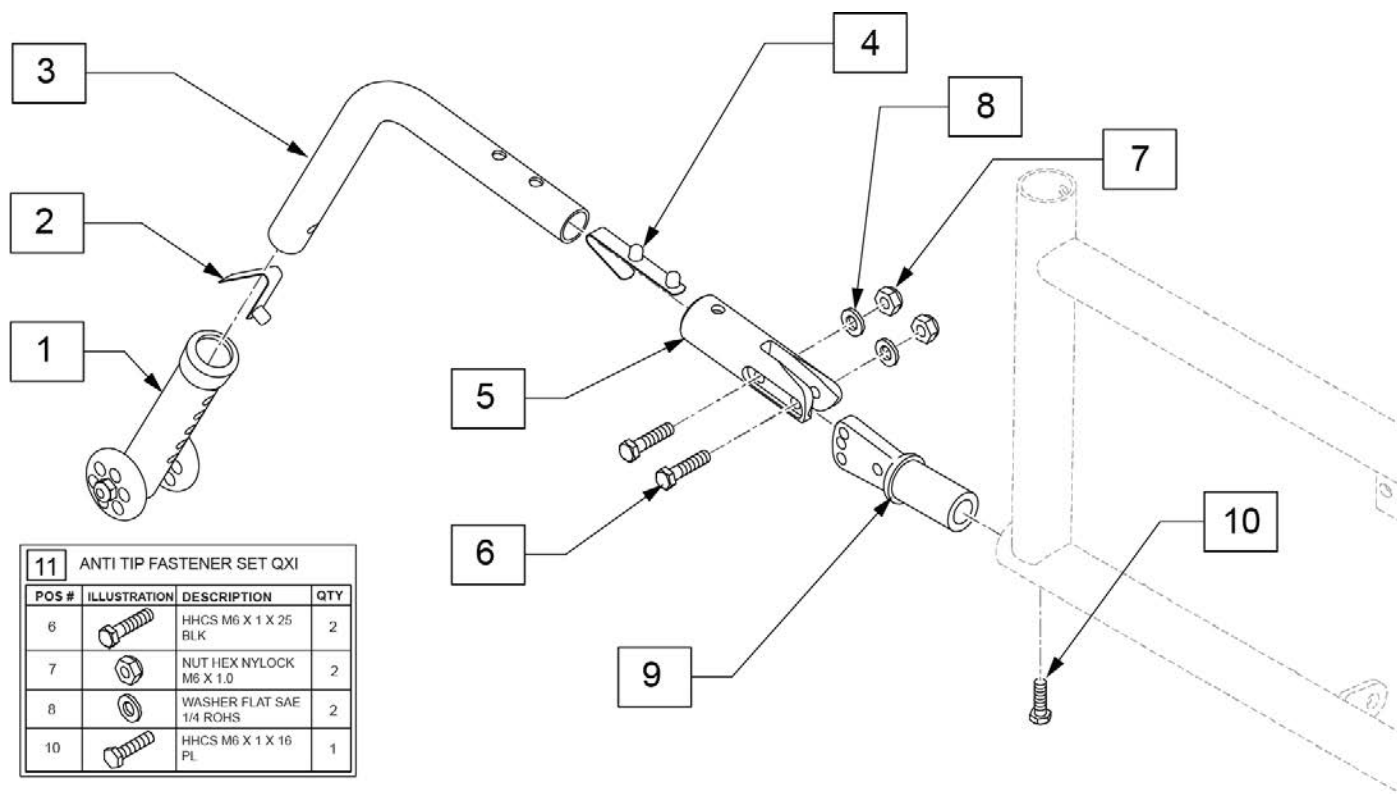


**CASTER  
MEASURING GUIDE**

PART NUMBER	"A" TIRE DIAMETER	"B" HUB WIDTH	PART NUMBER	"A" TIRE DIAMETER	"B" HUB WIDTH
101957	4.3	1.2	101256	5.75	1.0
101098	4.0	.8	101257	5.9	1.25
101259	4.9	1.5	400212	8.0	1.25
101255	5.7	1.5	400213	7.8	1.25
101254	4.9	1.0	400215	7.25	1.50

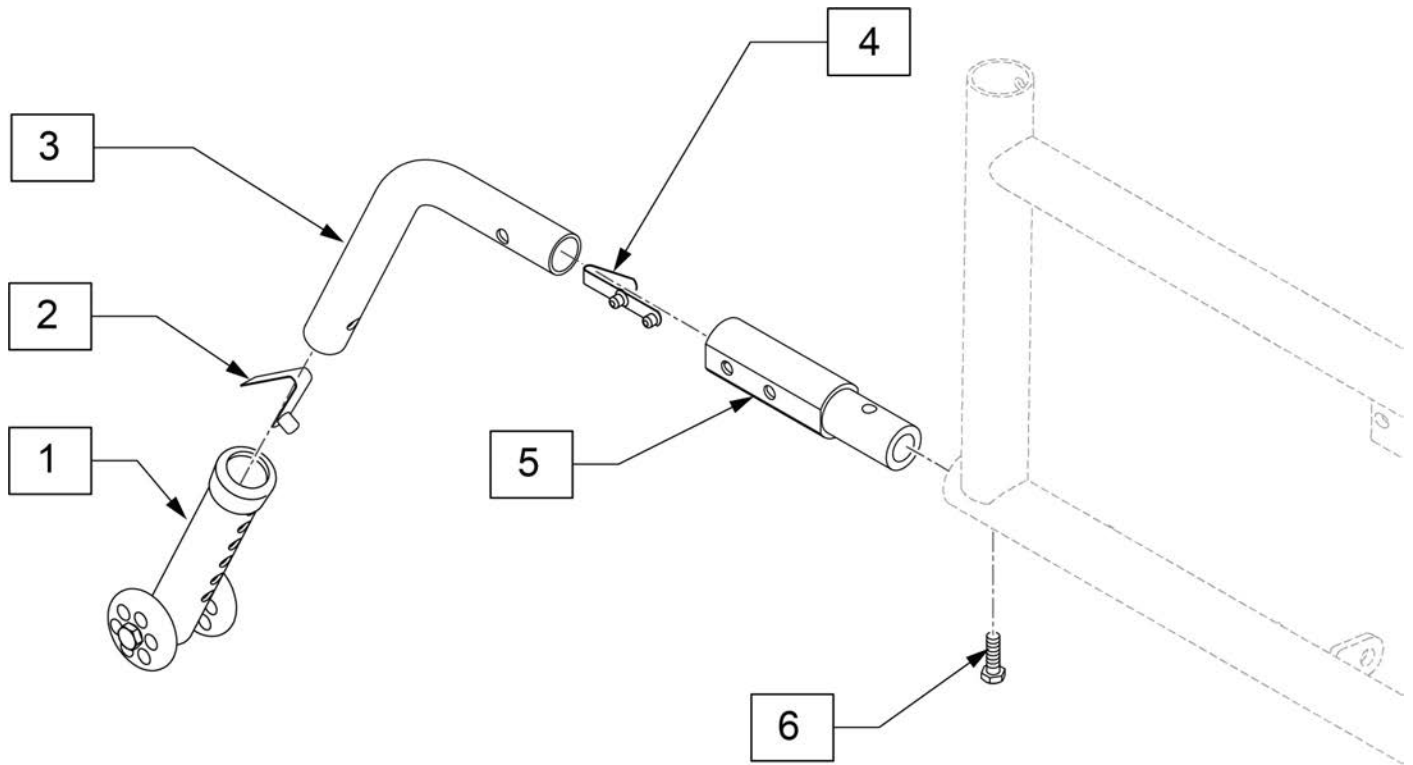


Pos.	Item Number	Description	Remarks
1	349502	7/8"x 5/16" BEARING	
2A	101957	4"X1-1/4" POLY 3 SPOKE CSTR	4" X 1.25 SEMI-PNEUMATIC
2B	101098	CASTER 4" PLASTIC/POLY W/BRG	4" LOW PROFILE POLY
3A	101259	5"X1-1/2" POLY 3 SPOKE CSTR	5" x 1.5" SEMI-PNEUMATIC
3B	101255	6"X1-1/2" POLY 3 SPOKE CSTR	6" x 1.5" SEMI-PNEUMATIC
4	101254	5" LOW POLY 3 SPOKE CASTER	5" LOW PROFILE POLY
5A	101256	6" SEMI PNEU 3 SPOKE CASTER	6" POLY
5B	101257	6" PNEUMATIC 3 SPOKE CASTER	6" PNEUMATIC
5C	383245	6" PNEUMATIC TIRE & TUBE	
6A	400212	CASTER 8" PNEU 3 SPK ASSM	8" PNEUMATIC
6B	400213	CASTER 8" POLY 3 SPK ASSM	8" POLY
6C	400215	CASTER 8" WIDE POLY 3 SPK ASSM	8" SEMI-PNEUMATIC



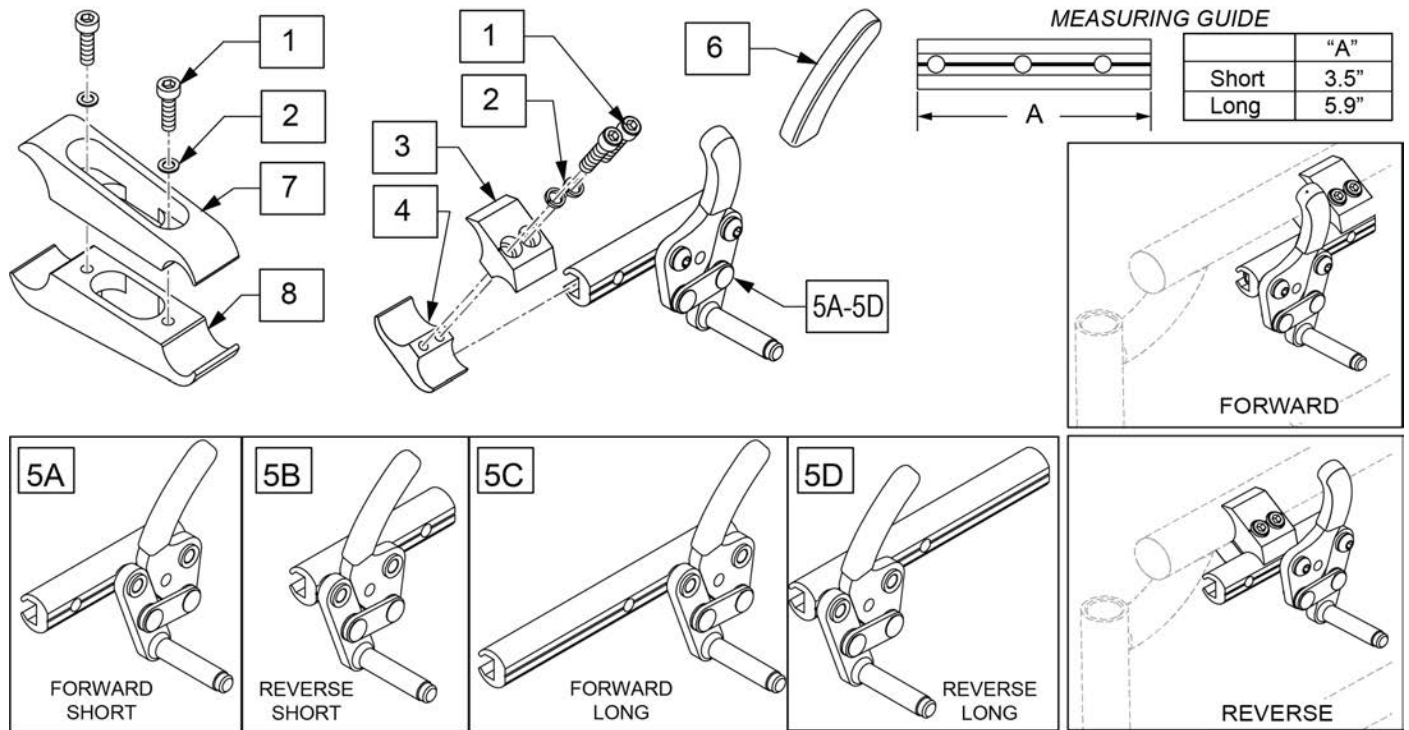
Pos.	Item Number	Description	Remarks
1	118682	LOW MT ANTI TIP ADJUSTER ASSM	
2	301100	SNAP BUTTON 1/4" SINGLE	
4	301109	SNAP BUTTON DUAL ONE SIDE	
6	102268-001	HHCS M6 X 1 X 25	
7	104381	NUT NYLOCK THIN M6 X 1	
8	106945	WASHER FLAT SAE 1/4 ROHS	
10	106995	HHCS M6X1X16 PL	
11	161230	ANTI TIP FASTENER SET QXI	
1-4	120716	LOW MOUNT ANTI TIP ASSM	
5-10	120715	ANTI TIP REC ASSM	
1-10	161231	ANTI TIP RETRO KIT	Pair

Note: See "How to Order Matrix" in the information panel at the right for correct Anti-tip size.



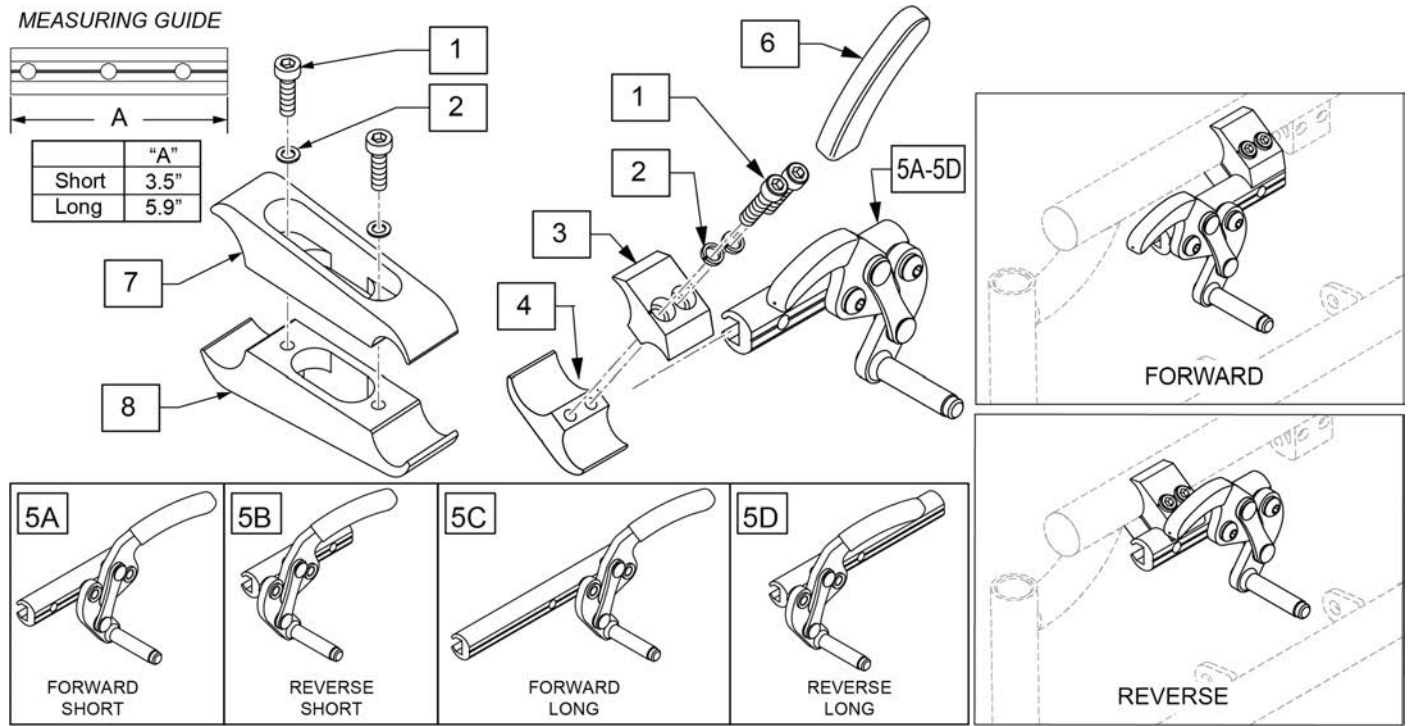
Pos.	Item Number	Description	Remarks
1-4	163885	LOW PROFILE AT ASM SMALL	
1-4	163886	LOW PROFILE AT ASM MEDIUM	
1-4	163887	LOW PROFILE AT ASM LARGE	
5,6	163888	LOW PROFILE AT REC ASM	
1-6	163889	LOW PROFILE AT RETRO KIT SM	Pair
1-6	163890	LOW PROFILE AT RETRO KIT MD	Pair
1-6	163891	LOW PROFILE AT RETRO KIT LG	Pair

**Note:** the Wheel Locks for Chair or Replacement Part orders shipped on or after 6/27/17 have upgraded mounting hardware; please replace in pairs for chairs ordered prior to 6/27/17.

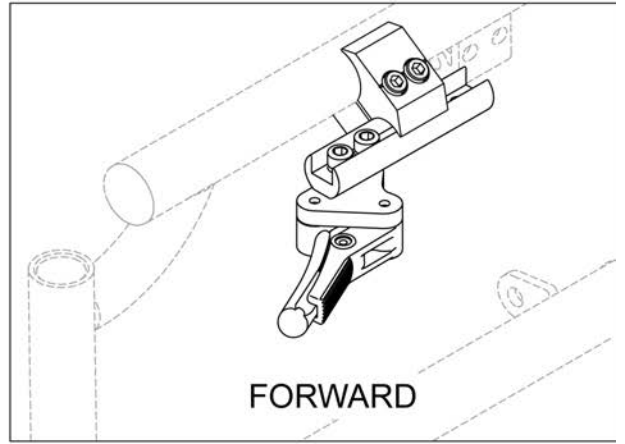
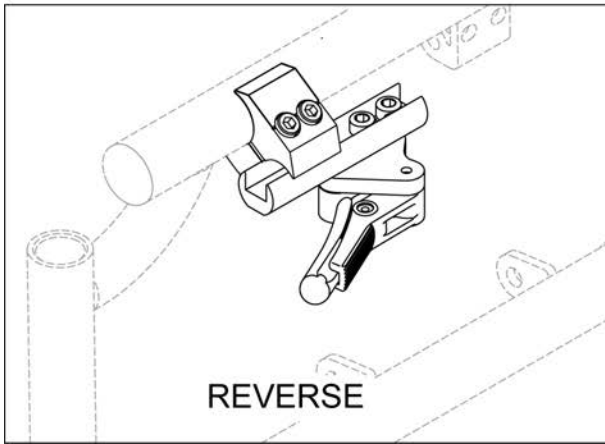
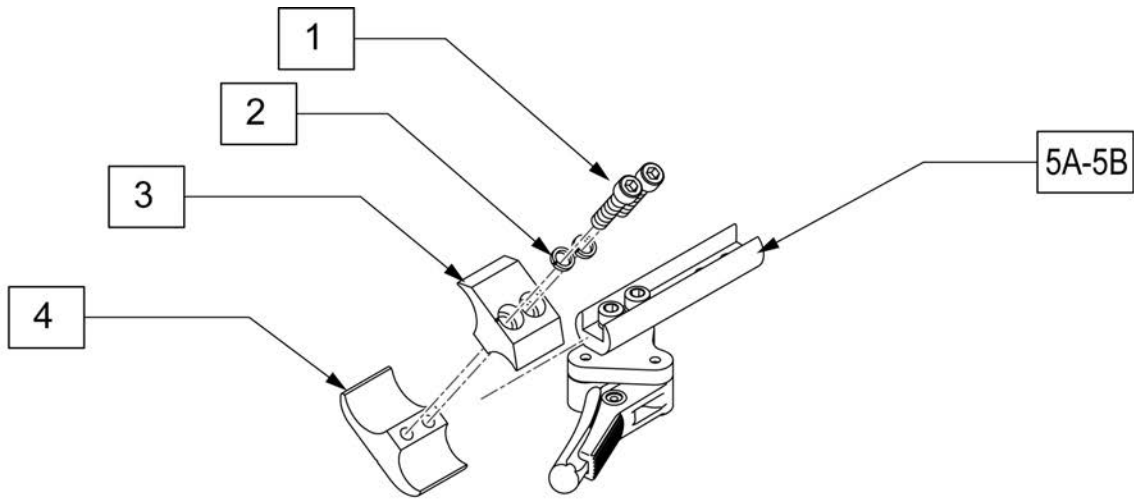


Pos.	Item Number	Description	Remarks
1	107032	SHCS 1/4-28 X 1 ROHS	
2	107367	WASHER LOCK HI COLLAR 1/4 ROHS	
1-4	107639	WHL LCK CLMP ASM	
5A	104216-001	WHEEL LOCK PUSH R FWD SHT	Right-forward-short
5A	104216-002	WHEEL LOCK PUSH L FWD SHT	Left-forward-short
5B	104216-003	WHEEL LOCK PUSH R REV SHT	Right-reverse-short
5B	104216-004	WHEEL LOCK PUSH L REV SHT	Left-reverse-short
5C	104216-005	WHEEL LOCK PUSH R FWD LNG	Right-forward-long
5C	104216-006	WHEEL LOCK PUSH L FWD LNG	Left-forward-long
5D	104216-007	WHEEL LOCK PUSH R REV LNG	Right-reverse-long
5D	104216-008	WHEEL LOCK PUSH L REV LNG	Left-reverse-long
6	104141	COVER CURVED WHEEL LOCK VINYL	
1,2,7,8	122448S	WHL LCK CLMP ASM LNG	

**Note:** the Wheel Locks for Chair or Replacement Part orders shipped on or after 6/27/17 have upgraded mounting hardware; please replace in pairs for chairs ordered prior to 6/27/17.

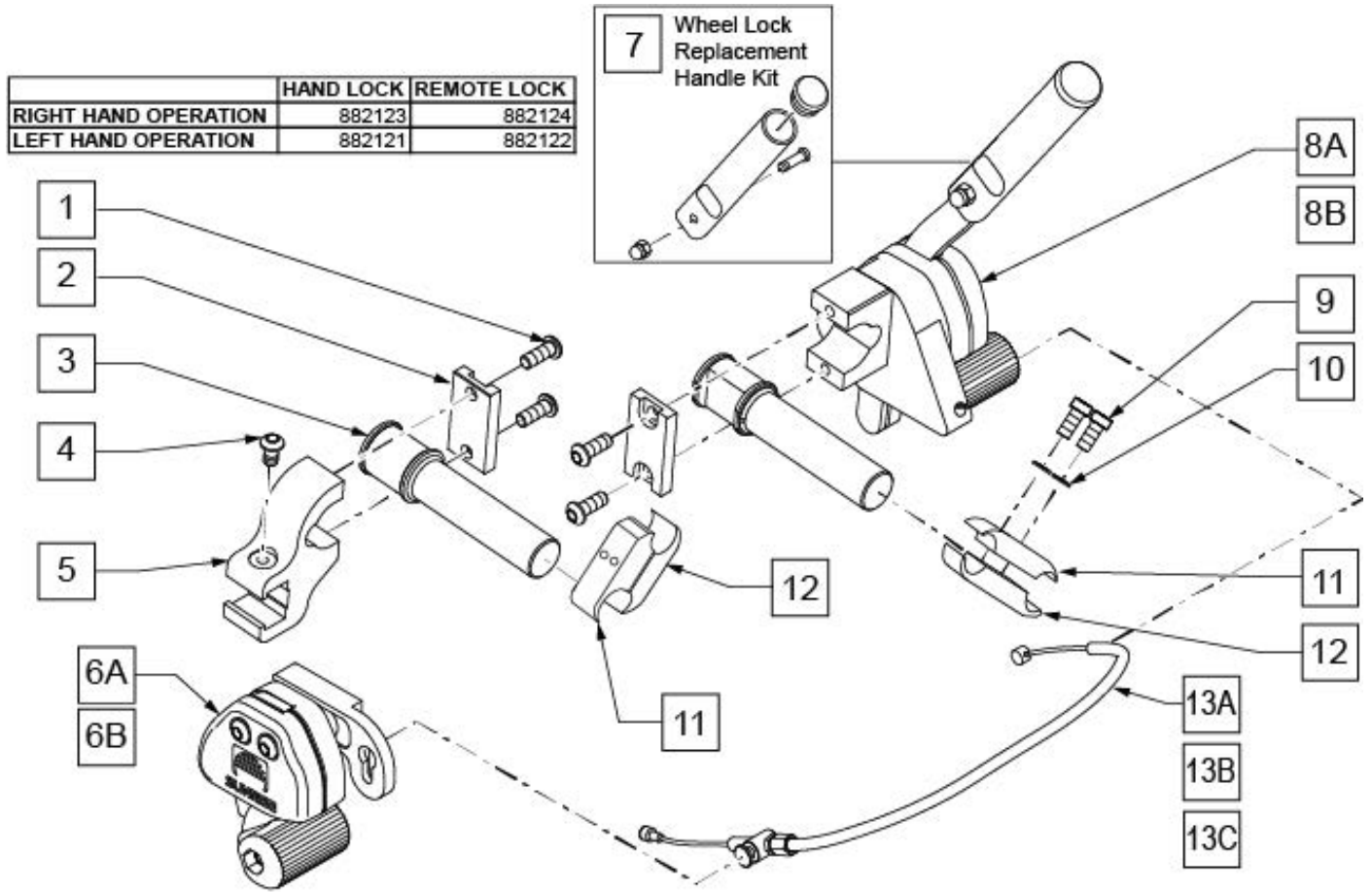


Pos.	Item Number	Description	Remarks
1	107032	SHCS 1/4-28 X 1 ROHS	
2	107367	WASHER LOCK HI COLLAR 1/4 ROHS	
1-4	107639	WHL LCK CLMP ASM	
5A	104227-001	WHEEL LOCK PULL R FWD SHT	Right-forward-short
5A	104227-002	WHEEL LOCK PULL L FWD SHT	Left-forward-short
5B	104227-003	WHEEL LOCK PULL R REV SHT	Right-reverse-short
5B	104227-004	WHEEL LOCK PULL L REV SHT	Left-reverse-short
5C	104227-005	WHEEL LOCK PULL R FWD LNG	Right-forward-long
5C	104227-006	WHEEL LOCK PULL L FWD LNG	Left-forward-long
5D	104227-007	WHEEL LOCK PULL R REV LNG	Right-reverse-long
5D	104227-008	WHEEL LOCK PULL L REV LNG	Left-reverse-long
6	104141	COVER CURVED WHEEL LOCK VINYL	
1,2,7,8	122448S	WHL LCK CLMP ASM LNG	



Pos.	Item Number	Description	Remarks
1	107032	SHCS 1/4-28 X 1 ROHS	
2	107367	WASHER LOCK HI COLLAR 1/4 ROHS	
1-4	107639	WHL LCK CLMP ASM	
5A	066608-001	LIGHTWEIGHT C WHEEL LOCK LH	Left-Forward
5A	066608-002	LIGHTWEIGHT C WHEEL LOCK RH	Right-Forward
5B	119346	COMPACT WHL LCK REV LH	Left-Reverse
5B	119347	COMPACT WHL LCK REV RH	Right-Reverse

NOTE: ATTACHMENT CLAMP mounts to 1" diameter tubing.

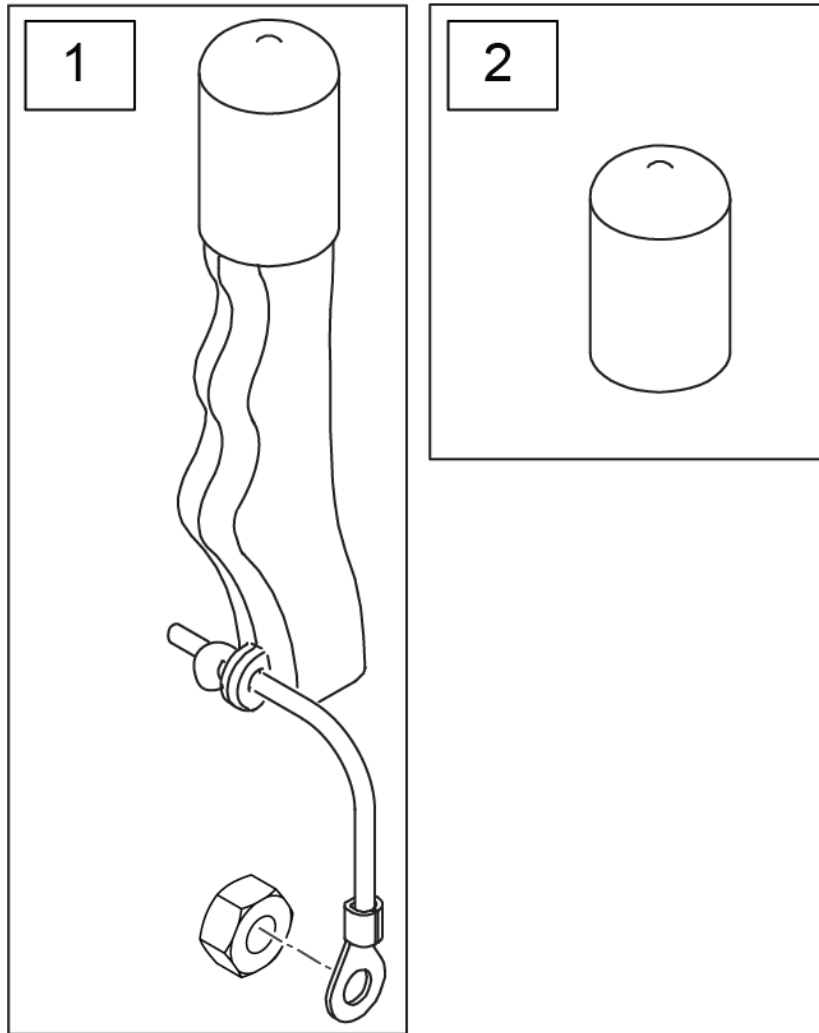


Pos.	Item Number	Description	Remarks
1	230032	M6 x 16 B/H CAP SCREW	
2	501032	CLAMP CAP	
3	501031	WHEEL LOCK EXTENSION	(not Handle)
4	230052	M6 1 x 10 BH C/S BLK	
5	501033	REMOTE LOCK CLAMP	
1-5,6A	882124	REMOTE LOCK ASSEMBLY RIGHT	Mounts on left side
1-5,6B	882122	REMOTE LOCK ASSEMBLY LEFT	Mounts on right side
7	883300	1-HAND WHLLCK RLCMNT HNDL KIT	4 7/8"; Replacement Handle Kit
1,2,3,8A	882123	HAND LOCK ASSEMBLY RIGHT	Mounts on right side
1,2,3,8B	882121	HAND LOCK ASSEMBLY LEFT	Mounts on left side
9	107032	1/4-28 x 1 SOC C/S BLK	
10	262114	1/4 WASHER HI COLLAR	
13A	341760	WHEEL LOCK CABLE SHORT (11"-14")	11 -14" WIDE CHAIRS
13B	341761	WHEEL LOCK CABLE MEDIUM (15"-18")	15 -18" WIDE CHAIRS
13C	341762	WHEEL LOCK CABLE LONG (19"-22")	19 -22" WIDE CHAIRS
9-12	880422	WHL LCK EXTND CLMP ASSM BLK	
1-5,6A,8A,9-12,13A	902184	UNILTERAL 1HAND PSH LOCK SHT RH	RH SHOWN 11 -14" WIDE
1-5,6A,8A,9-12,13B	902186	UNILTERAL 1HAND PSH LOCK MED RH	RH SHOWN 15 -18" WIDE
1-5,6A,8A,9-12,13C	902188	UNILTERAL 1HAND PSH LOCK LONG RH	RH SHOWN 19 -22" WIDE
1-5,6B,8B,9-12,13A	902183	UNILTERAL 1HAND PSH LOCK SHT LH	LH 11 -14" WIDE



<b>Pos.</b>	<b>Item Number</b>	<b>Description</b>	<b>Remarks</b>
1-5,6B,8B,9-12,13B	902185	UNILTERAL 1HAND PSH LOCK MED LH	LH 15 -18" WIDE
1-5,6B,8B,9-12,13C	902187	UNILTERAL 1HAND PSH LOCK LONG LH	LH 19 -22" WIDE

**Note:** used on High Mount Push and Pull Wheel Locks only.



Pos.	Item Number	Description	Remarks
1	161930	WHEEL LOCK EXT ASSY (PAIR) KIT	Pair
2	560600	FOAM GRIP 1 1/2 X 0.705 X 0.1	

Note: this wheel utilizes Screw Mount Handrims - the handrim has a threaded hole that mounts the handrim to the wheel through a spacer and fastener.

Note: if Mag Wheel Assembly was ordered without Handrim and a Handrim is added to the wheel, qty 6 of 101932 and 281175 ARE REQUIRED to properly mount the handrim.

Note: if changing the Rear Wheel Size on a chair with Anti-tips, new size Anti-tip Assemblies ARE REQUIRED to accommodate the new Rear Wheel Size.

Note: for Zippie X'Cape 6 Spoke Mags are only available with the One Arm Drive.



Pos.	Item Number	Description	Remarks
1-3	401094	20" MAG W/BRNG 6 SPOKE	20"
1-3	401093	22" MAG W/BRNG 6 SPOKE	22"(501mm)
1-3	401092	24" MAG W/BRNG 6 SPOKE	24"(540mm)
2	349500	1 1/8 X 1/2 BEARING	
3	521564	MAG BEARING SPACER	
4	101932	SPCR .194ID X .375 OD X .750	Used when previously ordered with Omit handrims or Natural Fit Handrims

Note: this Wheel utilizes Screw Mount Handrims; the Handrim has a threaded hole that mounts the Handrim to the Wheel through a spacer and fastener.

Note: the Lite Spoke Wheel has a total of 30 spokes.

Note: if changing the Rear Wheel Size on a chair with Anti-tips, new size Anti-tip Assemblies ARE REQUIRED to accommodate the new Rear Wheel Size.

Note: when ordering replacement bearings, if dust shield on bearing has the following markings: MBL-Z2 6001 2RS, then order P/N 114097.

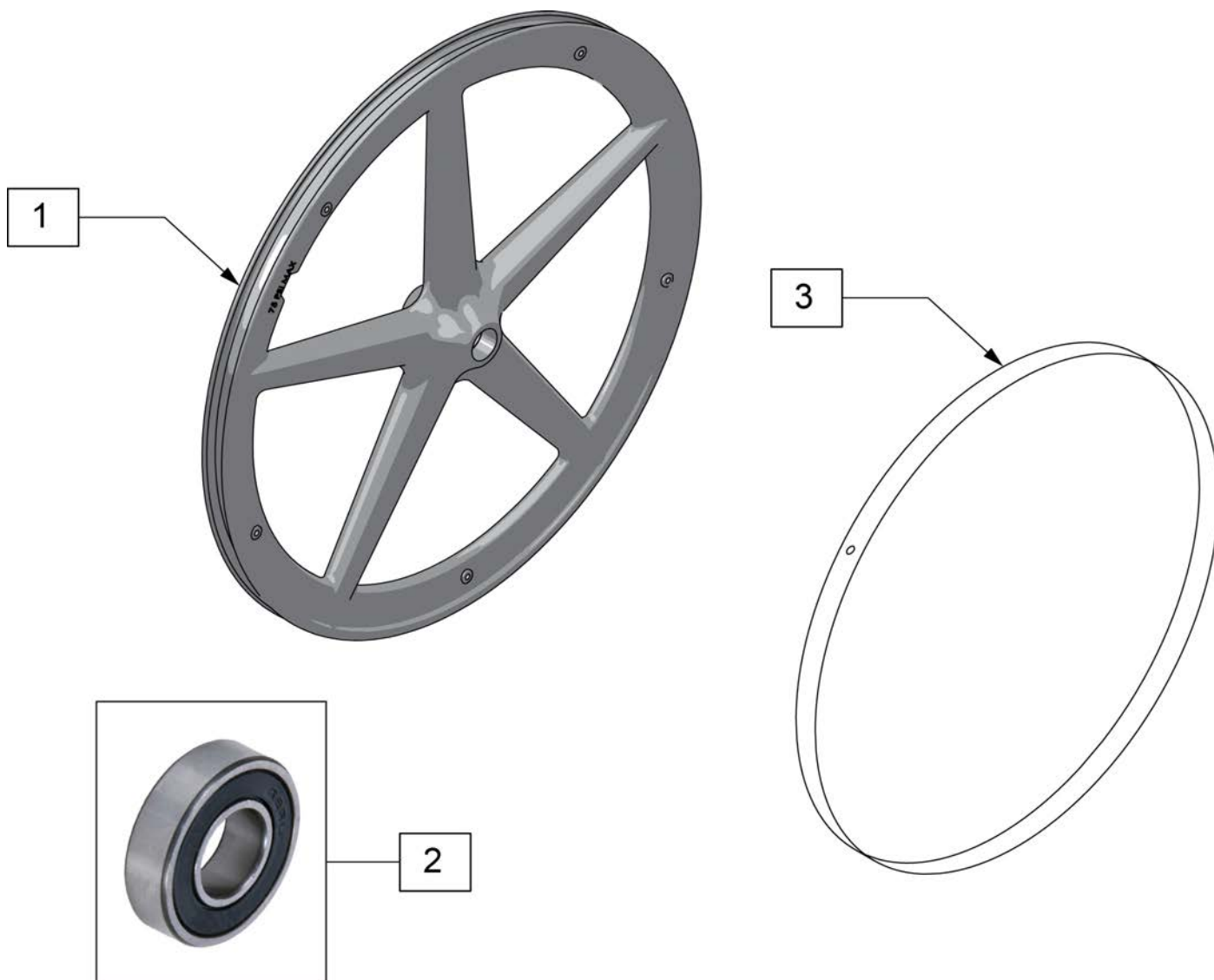


Pos.	Item Number	Description	Remarks
1A	118755	WHEEL ASSM GALLOP 20IN	20" (451)
1B	118756	WHEEL ASSM GALLOP 22IN	22" (501)
1C	107131	WHEEL RIM/SPOKE 24" ASSM	24" (540)
1D	118764	25 LT SPK W-HNDRM ANO ASSM GLP	25" (559)
1E	118760	WHEEL ASSM GALLOP 26IN	26" (590)
2A	114097	BEARING, REPLACEMENT, MBL	12.7mm i.d. - 28mm o.d. - 8mm wide; used prior to 11/29/10
2B	349500	1_125 X .5 BEARING	Beginning 11/29/10
3A	118100	MBL LT 20IN SPOKE RPLMNT KIT	Kit contains 6 inner and 6 outer spokes
3B	118101	MBL LT 22IN SPOKE RPLMNT KIT	Kit contains 6 inner and 6 outer spokes
3C	118102	MBL LT 24IN SPOKE RPLMNT KIT	Kit contains 6 inner and 6 outer spokes
3D	118103	MBL LT 25IN SPOKE RPLMNT KIT	Kit contains 6 inner and 6 outer spokes
3E	118104	MBL LT 26IN SPOKE RPLMNT KIT	Kit contains 6 inner and 6 outer spokes

Note: 5 Spoke Mag is not compatible with One Arm Drive or Projection Handrims.

Note: 5 Spoke Mag utilizes exclusive screw mounted handrims.

Note: if changing the Rear Wheel Size on a chair with Anti-tips, new size Anti-tip Assemblies ARE REQUIRED to accommodate the new Rear Wheel Size.



<b>Pos.</b>	<b>Item Number</b>	<b>Description</b>	<b>Remarks</b>
1,2	128985	20" 5 SPOKE MAG WHEEL	20" (451mm)
1,2	128986	22" 5 SPOKE MAG WHEEL	22" (501mm)
1,2	126405	24" MAG W/BRNG 5 SPOKE	24" (540mm)
2	349500	1 1/8 X 1/2 BEARING	
3	129325	20" MAG RIM STRIP	
3	129324	22" MAG RIM STRIP	
3	127912	24" MAG RIM STRIP	

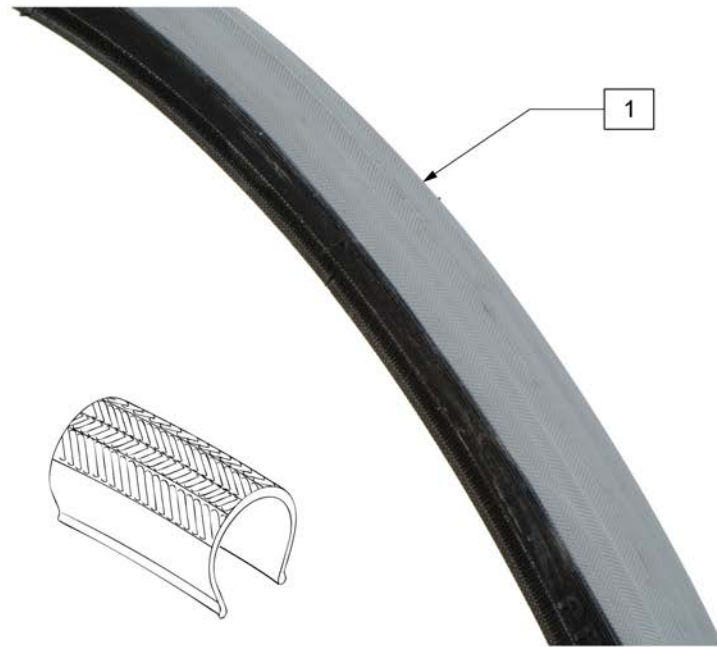


Pos.	Item Number	Description	Remarks
1	385237	16" X 1.75" PNEU TIRE	
1	385250	20" PNEUMATIC TIRE	
1	385275	22" PNEUMATIC TIRE	22" x 1 3/8 (501mm)
1	385300	24" PNEUMATIC TIRE	24" x 1 3/8 (540mm)
1	385325	26" PNEUMATIC TIRE	26" x 1 3/8 (590mm)
1	384614	24" x 2.125 PNEUMATIC TIRE	24"x2 1/8 (540mm) used w/ M6





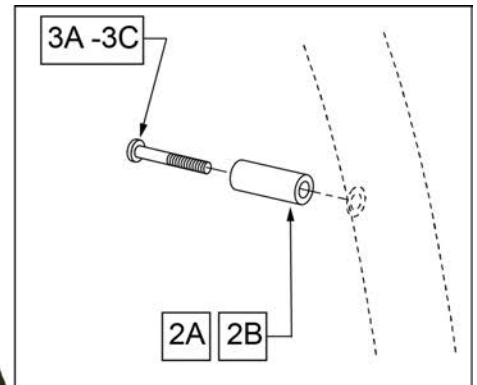
Pos.	Item Number	Description	Remarks
1	386232	20" POLY TIRE STD	20"
1	386242	22" POLY TIRE STD	22" (501mm)
1	386252	24" POLY TIRE STD	24" (540mm)



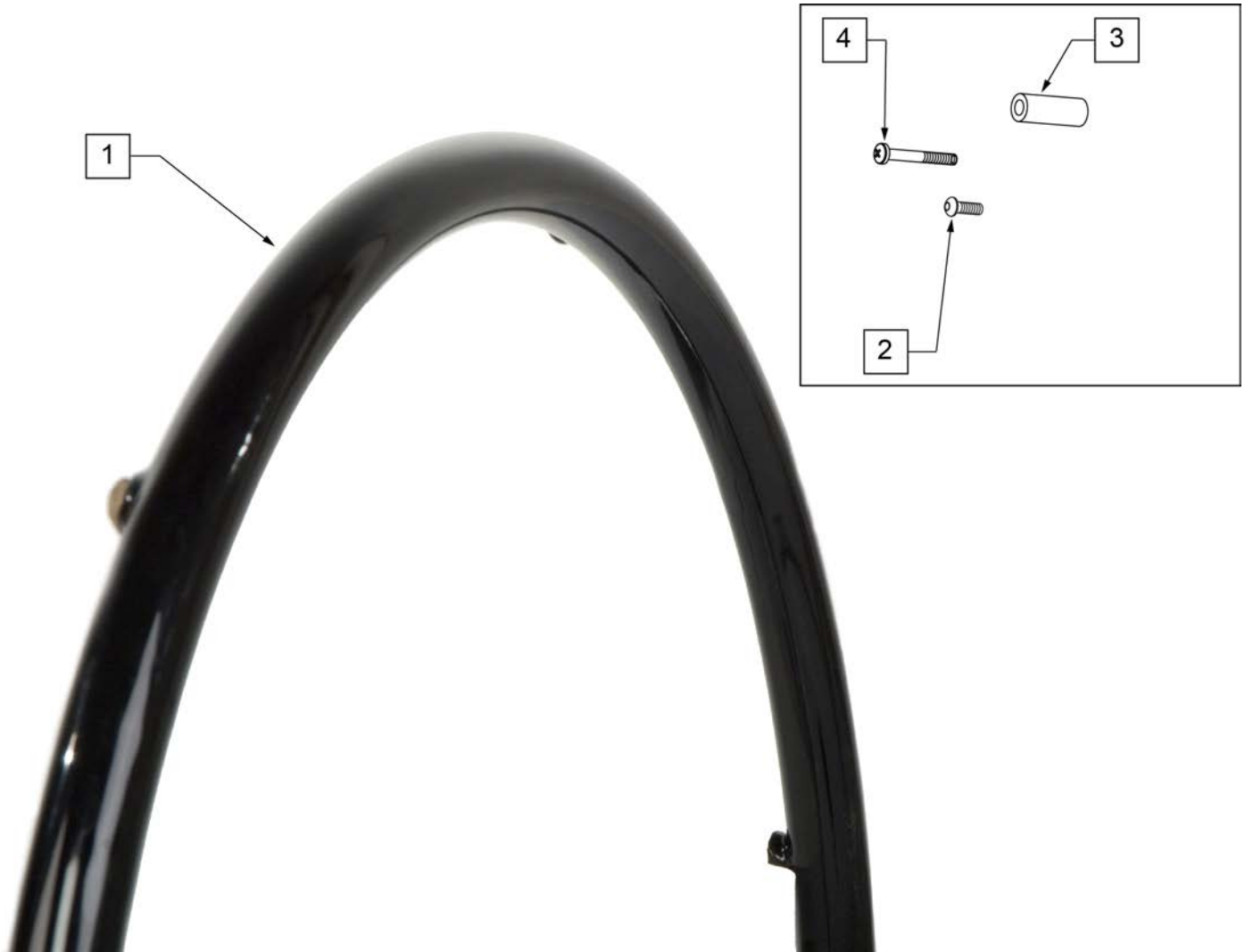
Pos.	Item Number	Description	Remarks
1	385280	22" x 1" HI PRES CLINCHER	22" (501mm)
1	389020	24" x 1" HI PRES CLNCHR TIRE	24" (540mm)
1	389012	QP 24" x 1" HT TURB BLK WR/BD 559	25" (559mm)
1	389030	26" x 1" HI PRES CLNCHR TIRE	26" (590mm)
1	105919	22" x 1" HI PRESS CLNCHR ULTRALIGHT	22" (489mm)



Pos.	Item Number	Description	Remarks
1	102066-004	TIRE SCHWALBE MP 489 BLK	22" (489mm)
1	102066-001	TIRE SCHWBL MPE 540 BLK	24" (540mm)
1	102066-002	TIRE SCHWBL MPE 559 BLK	25" (559mm)
1	102066-003	TIRE SCHWBL MPE 590 BLK	26" (590mm)

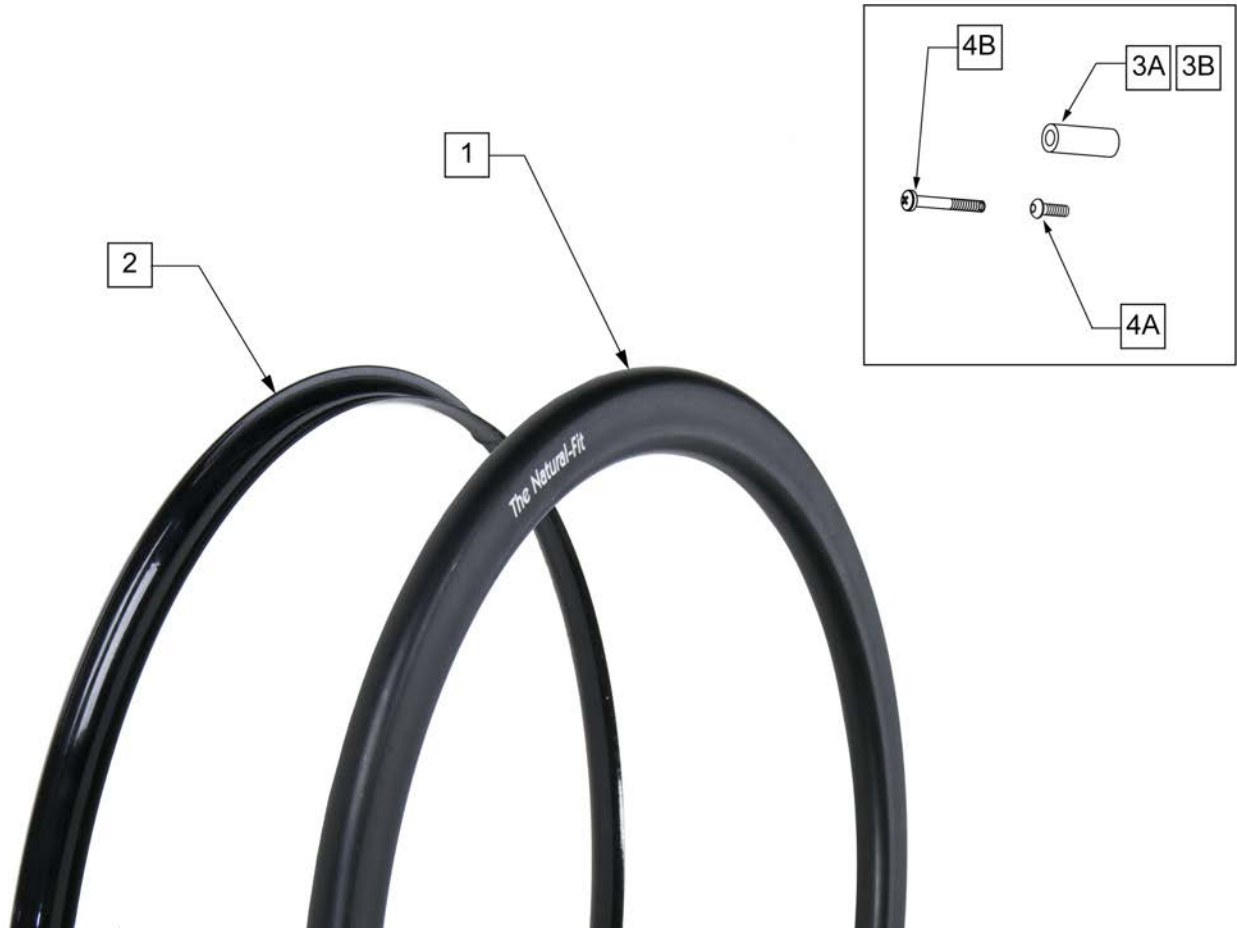


Pos.	Item Number	Description	Remarks
>>>>>	>>>>>>>>>	LITE SPOKE	>>>>>
1,2A,3A	159508	20IN LT SPK AA HNDRIM W/HDWR	20" LITE SPOKE
1,2A,3A	159509	22IN LT SPK AA HNDRIM W/HDWR	22" (501) LITE SPOKE
1,2A,3A	159510	24IN LT SPK AA HNDRIM W/HDWR	24" (540) LITE SPOKE
1,2A,3A	159511	25IN LT SPK AA HNDRIM W/HDWR	25" (559) LITE SPOKE
1,2A,3A	159512	26IN LT SPK AA HNDRIM W/HDWR	26" (590) LITE SPOKE
2A,3A	159513	LT SPK AL AN HNDRIM HDWR	LITE SPOKE, SET OF 6
>>>>>	>>>>>>>>>	SPOKE	>>>>>
1,2B,3B	425931	20" HR 6SMT W/HDWR	20" SPOKE
1,2B,3B	425941	22" HR 6SMT W/HDWR	22" (501) SPOKE
1,2B,3B	426000	24" HR 6SMT W/ HDWR	24" (540) SPOKE
2B,3B	159514	SPK AL AN HNDRIM HDWR	SPOKE, SET OF 6
>>>>>	>>>>>>>>>	MAG	>>>>>
1,3C	425934	20" HR 6SMT 6MAG W/HDWR	20" MAG
1,3C	425951	22" HR 6SMT 6MAG W/HDWR	22" (501) MAG
1,3C	426009	24" HR 6SMT 6MAG W/HDWR	24" (540) MAG
3C	281175	10-32 X 2 1/8 PAN PHIL SS	MAG
>>>>>	>>>>>>>>>	M6 SPOKE	>>>>>
1,2B,3B	425941	22" HR 6SMT W/HDWR	24" (540) SPOKE



Pos.	Item Number	Description	Remarks
>>>>	>>>>>>>>>	SPOKE & LITE SPOKE	>>>>
1-3	425933	20" HR 6SMT PLST W/HDWR	20" SPOKE
1-3	425943	22" HR 6SMT PLST W/HDWR	22" (501) SPOKE
1-3	426004	24" HR 6SMT PLST W/HDWR	24" (540) SPOKE
>>>>	>>>>>>>>>	MAG	>>>>
1,4	425935	20" HR 6SMT 6MAG PLST W/HDWR	20" MAG
1,4	425953	22" HR 6SMT 6MAG PLST W/HDWR	22" (501) MAG
1,4	426013	24" HR 6SMT 6MAG PLST W/HDWR	24" (540) MAG
>>>>	>>>>>>>>>	M6 SPOKE	>>>>
1-3	425943	22" HR 6SMT 6 MAG PLST W/ HDWR	24" (540) M6 SPOKE
2,3	159534	PLST COATED HNDRM HARDWARE	SPOKE; SET OF 6
4	281175	10 -32 x 2 1/8 PAN PHIL SS	6 SPOKE MAG

Note: Screw Mount Handrims are utilized with Lite Spoke, Spoke and 6 Spoke Mag Wheels.



Pos.	Item Number	Description	Remarks
>>>>>	>>>>>>>>>	STD GRIP THUMB GUARD	>>>>>
2	102168-001	GUARD THUMB NAT FIT 22 PC BLK	22" (501)- Std Grip Thumb Guard
2	102168-003	GUARD THUMB NAT FIT 24 PC BLK	24" (540)- Std Grip Thumb Guard
2	102168-005	GUARD THUMB NAT FIT 25 PC BLK	25" (559)- Std Grip Thumb Guard
2	102168-007	GUARD THUMB NAT FIT 26 PC BLK	26" (590)- Std Grip Thumb Guard
>>>>>	>>>>>>>>>	SUPER GRIP THUMB GUARD	>>>>>
2	102168-002	GUARD THUMB NAT FIT 22 SG BLK	22" (501)- Super Grip Thumb Guard
2	102168-004	GUARD THUMB NAT FIT 24 SG BLK	24" (540)- Super Grip Thumb Guard
2	102168-006	GUARD THUMB NAT FIT 25 SG BLK	25" (559)- Super Grip Thumb Guard
2	102168-008	THUMB GUARD NAT FIT 26 SG BLK	26" (590)- Super Grip Thumb Guard
>>>>>	>>>>>>>>>	NATURAL FIT LITE HANDRIM	>>>>>
1,3A,4A	159516	22 NAT-FIT LT HNDRIM W/HDWR	22" (501)
1,3A,4A	159517	24 NAT-FIT LT HNDRIM W/HDWR	24" (540)
1,3A,4A	159518	25 NAT-FIT LT HNDRIM W/HDWR	25" (559)
1,3A,4A	159519	26 NAT-FIT LT HNDRIM W/HDWR	26" (590)
>>>>>	>>>>>>>>>	NATURAL FIT HANDRIM	>>>>>
1,3A,4A	159520	22 NAT-FIT HNDRIM W/HDWR	22" (501)
1,3A,4A	159521	24 NAT-FIT HNDRIM W/HDWR	24" (540)

<b>Pos.</b>	<b>Item Number</b>	<b>Description</b>	<b>Remarks</b>
1,3A,4A	159522	25 NAT-FIT HNDRIM W/HDWR	25" (559)
1,3A,4A	159523	26 NAT-FIT HNDRIM W/HDWR	26" (590)
3A,4A	159524	NAT-FIT HNDRIM LT HDWR SET 6	USED W/ LITE SPOKE & SPOKE; SET OF 6
3B	101932	SPCR .194ID X .375 OD X .750	USED W/ MAG
4B	281175	10-32 X 2 1/8 PAN PHIL SS	USED W/ MAG

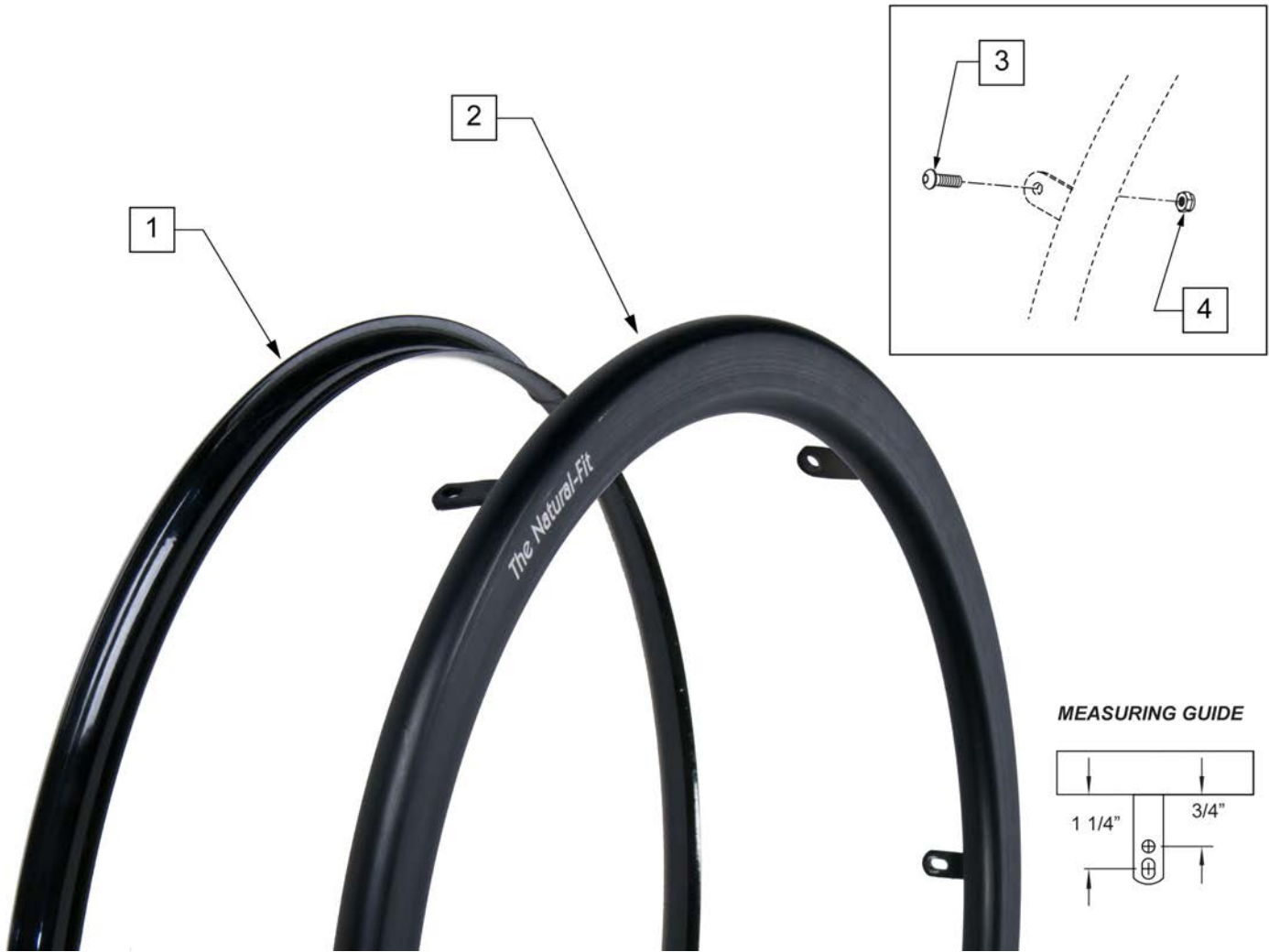
NOTE: fits 24" 5 Spoke Wheel only.



Pos.	Item Number	Description	Remarks
1A	126558	HNDRM NAT FIT LT OVAL 5 RVT	24" Light
1B	126559	HNDRM NATURAL FIT OVAL 5 RVT	24" Standard
2A	102168-004	GUARD THUMB NAT FIT 24 SG BLK	24" (540)- Super Grip Thumb Guard
2B	102168-003	GUARD THUMB NAT FIT 24 PC BLK	24" (540)- Standard Grip Thumb Guard
3	101932	SPCR .194ID X .375 OD X .750	
4	281175	10-32 X 2 1/8 PAN PHIL SS	



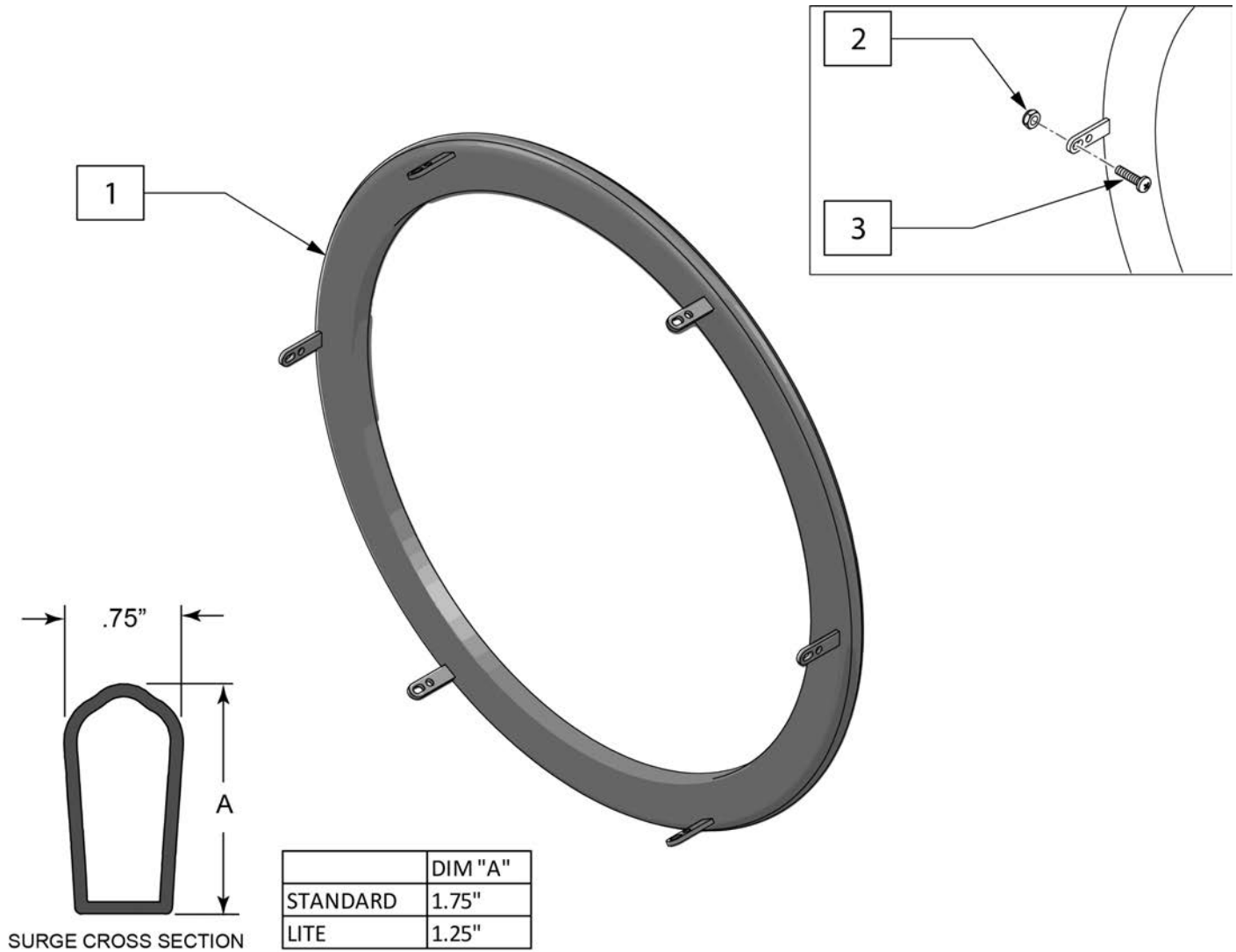
Note: Tab Mount Hand Rims are utilized with Spinergy & Toplino Wheels.



Pos.	Item Number	Description	Remarks
>>>>>	>>>>>>>>>	STD GRIP THUMB GRIP	>>>>>
1	102168-001	GUARD THUMB NAT FIT 22 PC BLK	22" (501)
1	102168-003	GUARD THUMB NAT FIT 24 PC BLK	24" (540)
1	102168-005	GUARD THUMB NAT FIT 25 PC BLK	25" (559)
1	102168-007	GUARD THUMB NAT FIT 26 PC BLK	26" (590)
>>>>>	>>>>>>>>>	SUPER GRIP THUMB GUARD	>>>>>
1	102168-002	GUARD THUMB NAT FIT 22 SG BLK	22" (501)
1	102168-004	GUARD THUMB NAT FIT 24 SG BLK	24" (540)
1	102168-006	GUARD THUMB NAT FIT 25 SG BLK	25" (559)
1	102168-008	THUMB GUARD NAT FIT 26 SG BLK	26" (590)
>>>>>	>>>>>>>>>	NATURAL FIT LITE HANDRIM	>>>>>
2-4	159525	22 NAT-FIT LT TB HNDRIM W/HDWR	22" (501)
2-4	159526	24 NAT-FIT LT TB HNDRIM W/HDWR	24" (540)
2-4	159527	25 NAT-FIT LT TB HNDRIM W/HDWR	25" (559)

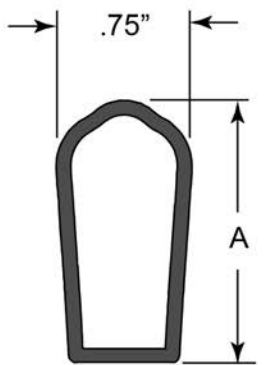
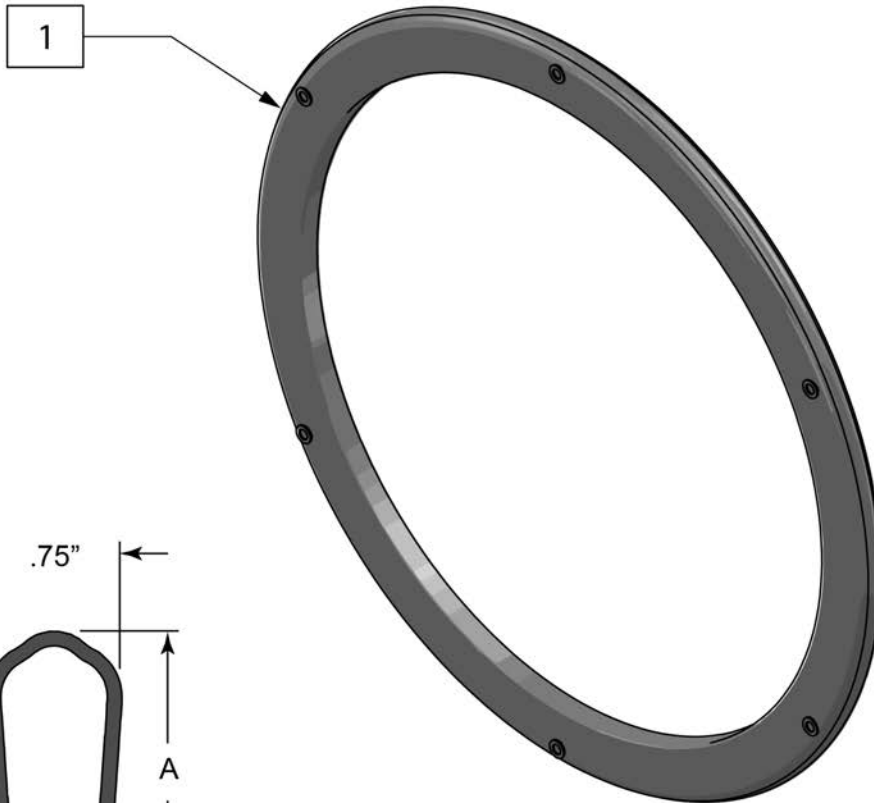
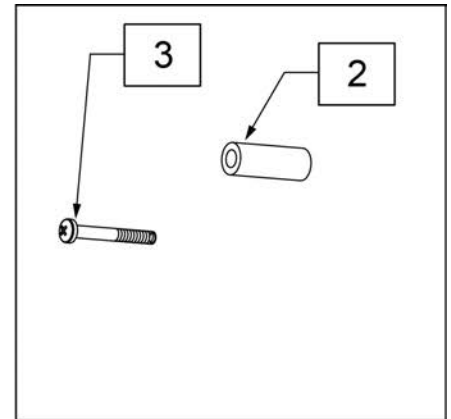
<b>Pos.</b>	<b>Item Number</b>	<b>Description</b>	<b>Remarks</b>
2-4	159528	26 NAT-FIT LT TB HNDRIM W/HDWR	26" (590)
>>>>>	>>>>>>>>>>	NATURAL FIT -W/O THUMB GRIP	>>>>>
2-4	159529	22 NAT-FIT TB HNDRIM W/HDWR	22" (501)
2-4	159530	24 NAT-FIT TB HNDRIM W/HDWR	24" (540)
2-4	159531	25 NAT-FIT TB HNDRIM W/HDWR	25" (559)
2-4	159532	26 NAT-FIT TB HNDRIM W/HDWR	26" (590)
3,4	159533	NAT-FIT TAB MNT HARDWARE	SET OF 6

Note: used on Spinergy SPOX and LX wheels.



Pos.	Item Number	Description
1-3	159492	22IN TAB SURGE HANDRIM W/HDWR
1-3	159493	24IN TAB SURGE HANDRIM W/HDWR
1-3	159494	25IN TAB SURGE HANDRIM W/HDWR
1-3	159495	26IN TAB SURGE HANDRIM W/HDWR
1-3	159496	22IN TAB SURGE HANDRIM LT W/HDWR
1-3	159497	24IN TAB SURGE HANDRIM LT W/HDWR
1-3	159498	25IN TAB SURGE HANDRIM LT W/HDWR
1-3	159499	26IN TAB SURGE HANDRIM LT W/HDWR
2,3	159500	SURGE HARDWARE TAB MNT

Note: used on Lite Spoke wheels.



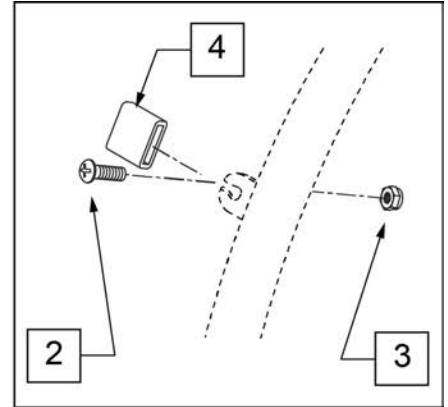
SURGE CROSS SECTION

	DIM "A"
STANDARD	1.75"
LITE	1.25"

Pos.	Item Number	Description	Remarks
1-3	159483	22IN HANDRIM SURGE W/HDWR	
1-3	159484	24IN HANDRIM SURGE W/HDWR	
1-3	159485	25IN HANDRIM SURGE W/HDWR	
1-3	159486	26IN HANDRIM SURGE W/HDWR	
1-3	159487	22IN HANDRIM LT SURGE W/HDWR	
1-3	159488	24IN HANDRIM LT SURGE W/HDWR	
1-3	159489	25IN HANDRIM LT SURGE W/HDWR	
1-3	159490	26IN HANDRIM LT SURGE W/HDWR	
2,3	159491	SURGE HARDWARE	set of 6

Note: Handrim is Latex free.

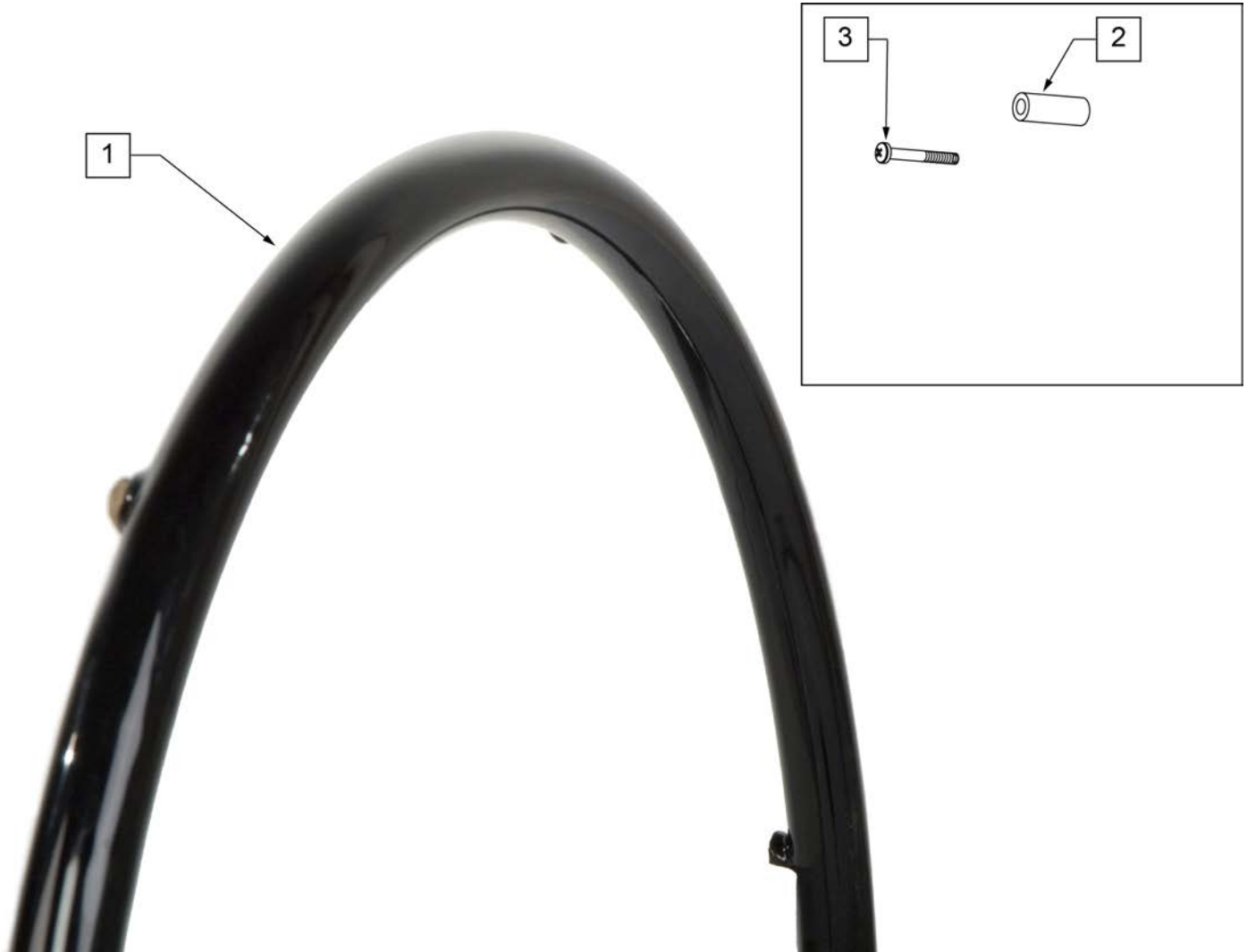
Note: used on Spinergy SPOX and LX wheels.



Pos.	Item Number	Description	Remarks
1-4	159501	24IN HANDRIM TAB Q-GRIP W/HDWR	
1-4	159502	25IN HANDRIM TAB Q-GRIP W/HDWR	
2-4	159503	HANDRIM TAB Q-GRIP HARDWARE	set of 6

Note: Handrim is Latex free.

Note: used on Lite Spoke Wheels.

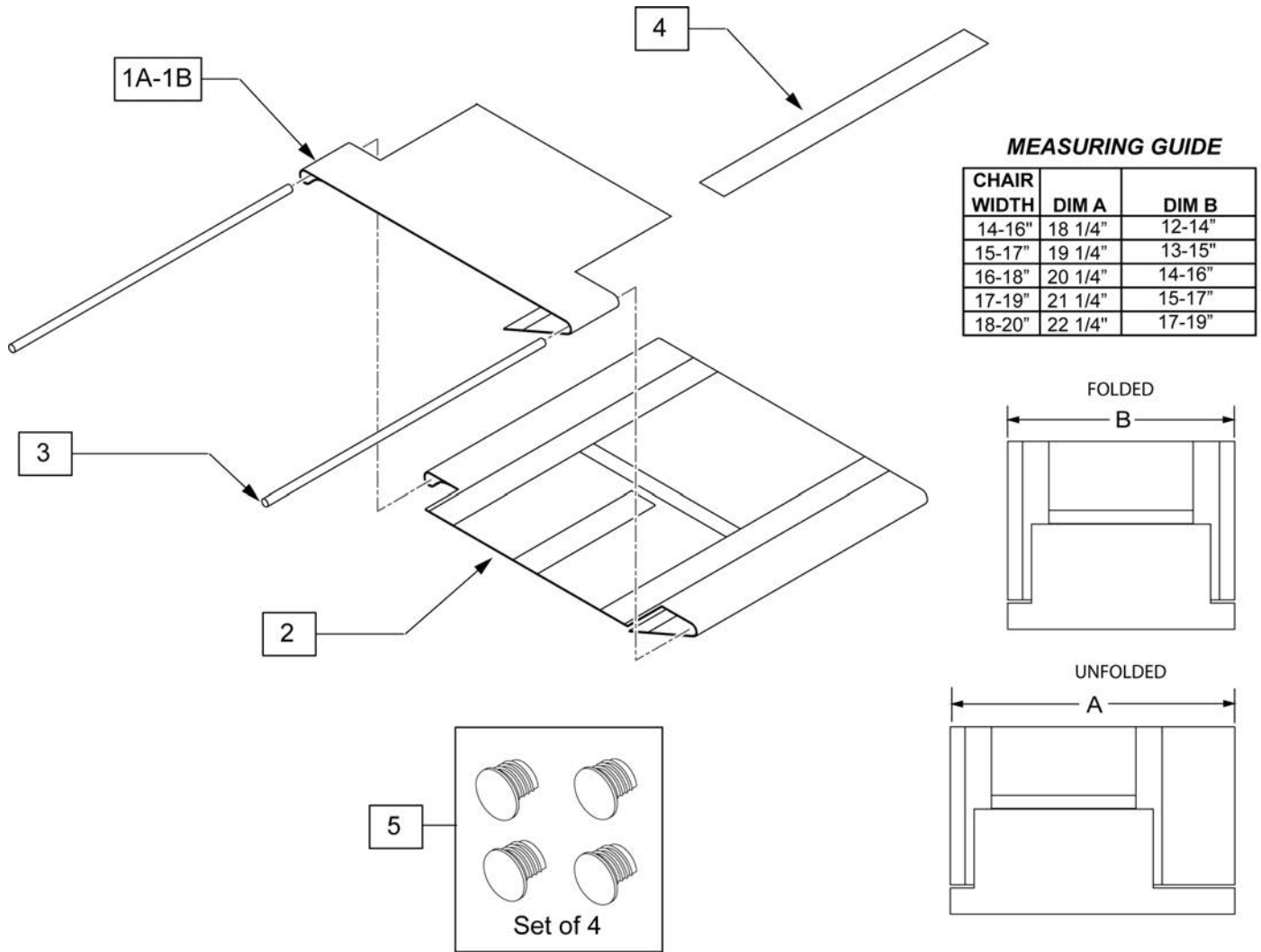


Pos.	Item Number	Description	Remarks
1-3	159504	24 HNDRIM RVNUT Q-GRIP W/HDWR	
1-3	159505	25 HNDRIM RVNUT Q-GRIP W/HDWR	
2,3	159506	Q-GRIP HARDWARE	set of 6



Pos.	Item Number	Description	Remarks
1A	Discontinued	Presta Valves Discontinued	
1A	384736	INNER TUBE 12-1/2" X 2-1/4"	
1A	384738	16" X 1.75" INNER TUBE	
1A	382255	TUBE 18" TIRE	18" X 1-3/4" TUBE
1A	382275	20" TUBE	20" 1-3/8" TUBE
1A	382300	22" TUBE	22" X 1-3/8" TUBE
1A	382336	TUBE PRIMO 24" 25-540 SV	24" X 1" TUBE
1A	382325	24 X 1.3/8IN TUBE REG	
1A	382334	TUBE INLINE 24 X 1.75	
1A	384551	26" X 1" TUBE SCHRADER	
1A	382350	26" TUBE	26" X 1-3/8" TUBE
1A	382361	TUBE 26 X 1.5/1.95/ S/V	
1A	382365	26 X 1.25/1.5 TUBE SHRADER	
1A	382375	24" x 2.125 TUBE	
1B	102972-001	12 1/2 IN AIRLESS INSERT	12-1/2" X 2-1/4"
1B	102973-001	16IN AIRLESS INSERT	16" X 1-3/4"
1B	102973-002	18IN AIRLESS INSERT	18" X 1-3/4"
1B	102973-003	20IN AIRLESS INSERT	20" X 1-3/8"
1B	102972-002	AIRLESS INSERT 20 X 2-1/8 P3	
1B	102973-004	22IN AIRLESS INSERT	22" X 1-3/8"
1B	102973-005	24IN AIRLESS INSERT	24" X 1-3/8"
1B	102972-003	AIRLESS INSERT 24 X 2-1/8	
1B	108259	26" AIRLESS INSERT	26" X 1-3/8"

Note: for proper fit open the velcro flap on the under side of the sling for installation; the sling may measure short, but by opening the flap it will adjust to fit the frame.



Pos.	Item Number	Description	Remarks	Pos.	Item Number	Description	Remarks
1,2	118746	14 SEAT SLING DPTH ADJ 14-15		1,2	120611	19 SEAT SLING DPTH ADJ 16-20	
1,2	118747	15 SEAT SLING DPTH ADJ 14-15		1,2	120612	20 SEAT SLING DPTH ADJ 16-20	
1,2	118748	16 SEAT SLING DPTH ADJ 14-15		3	580230	SEAT SLING RETAINING ROD 14"	
1,2	118749	17 SEAT SLING DPTH ADJ 14-15		3	580231	SEAT SLING RETAINING ROD 15"	
1,2	118750	18 SEAT SLING DPTH ADJ 14-15		3	580232	SEAT SLING RETAINING ROD 16"	
1,2	118751	19 SEAT SLING DPTH ADJ 14-15		3	580233	SEAT SLING RETAINING ROD 17"	
1,2	118752	20 SEAT SLING DPTH ADJ 14-15		3	580234	SEAT SLING RETAINING ROD 18"	
1,2	120606	14 SEAT SLING DPTH ADJ 16-20		3	580235	SEAT SLING RETAINING ROD 19"	
1,2	120607	15 SEAT SLING DPTH ADJ 16-20		3	580236	SEAT SLING RETAINING ROD 20"	
1,2	120608	16 SEAT SLING DPTH ADJ 16-20		4	901169	SEAT SLING VELCRO STRIP 2"	
1,2	120609	17 SEAT SLING DPTH ADJ 16-20		5	108117	SEAT RAIL END PLUG KIT	Set of 4
1,2	120610	18 SEAT SLING DPTH ADJ 16-20					

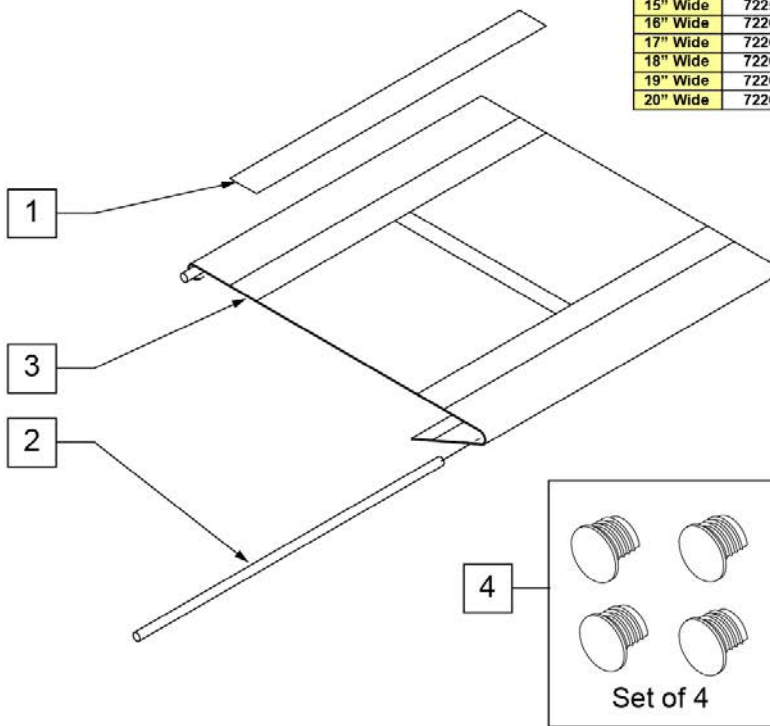


**Note:** When replacing the Seat Sling it is recommended to order the Seat Rail End Plug Kit.

**Note:** the Seat Sling will be 3" narrower than the seat width due to the cross brace being mounted in between the side frames.

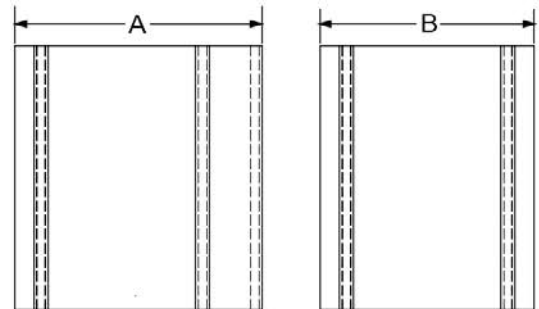
Note: for proper fit open the velcro flap on the under side of the sling for installation; the sling may measure short, but by opening the flap it will adjust to fit the frame.

	14" Deep	15" Deep	16" Deep	17" Deep	18" Deep	19" Deep	20" Deep
14" Wide	722584	722585	722586	722587	241515	241516	241517
15" Wide	722594	722595	722596	722597	722598	241518	241519
16" Wide	722604	722605	722606	722607	722608	722609	722610
17" Wide	722620	722621	722622	722623	722624	722625	722626
18" Wide	722630	722631	722632	722633	722634	722635	722636
19" Wide	722640	722641	722642	722643	722644	722645	722646
20" Wide	722650	722651	722652	722653	722654	722655	722656



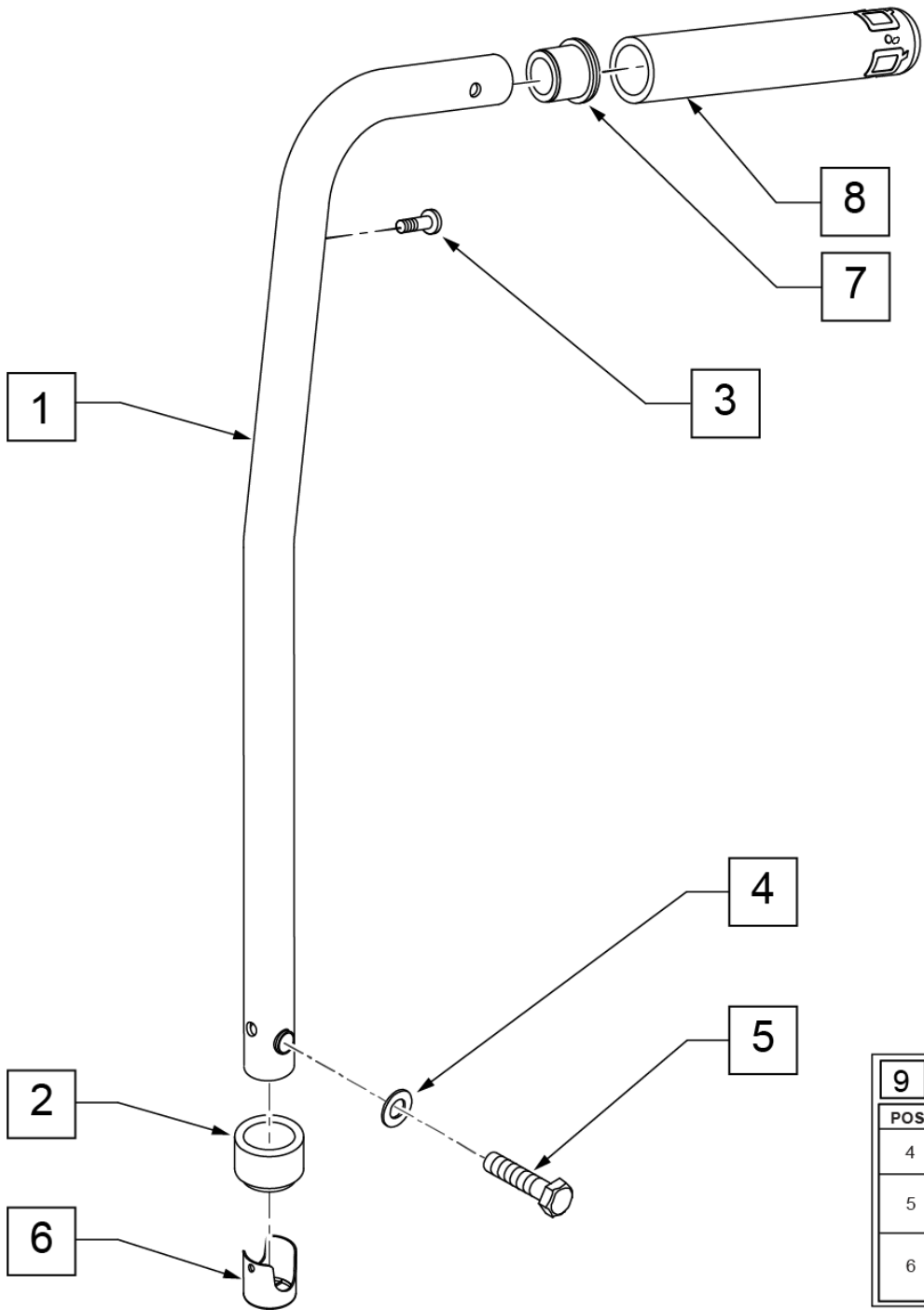
**MEASURING GUIDE**

CHAIR WIDTH	DIM A	DIM B
14"	15.25"	12"
15"	16.25"	13"
16"	17.25"	14"
17"	18.25"	15"
18"	19.25"	16"
19"	20.25"	17"
20"	21.25"	18"

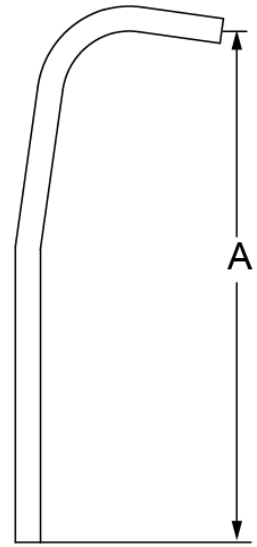


Pos.	Item Number	Description	Remarks
1	901169	SEAT SLING VELCRO STRIP 2"	
2	580230	SEAT SLING RETAINING ROD 14"	
2	580231	SEAT SLING RETAINING ROD 15"	
2	580232	SEAT SLING RETAINING ROD 16"	
2	580233	SEAT SLING RETAINING ROD 17"	
2	580234	SEAT SLING RETAINING ROD 18"	
2	580235	SEAT SLING RETAINING ROD 19"	
2	580236	SEAT SLING RETAINING ROD 20"	
		14" Frame Width	
3	722584	SEAT SLING 11" X 14" CHNL	Use for 14" x 14"
3	722585	SEAT SLING 11" X 15" CHNL	Use for 14" x 15"
3	722586	SEAT SLING 11" X 16" CHNL	Use for 14" x 16"
3	722587	SEAT SLING 11" X 17" CHNL	Use for 14" x 17"
3	241515	SEAT SLING 11" X 18" CHNL	Use for 14" x 18"
3	241516	SEAT SLING 11" X 19" CHNL	Use for 14" x 19"

Pos.	Item Number	Description	Remarks
3	241517	SEAT SLING 11" X 20" CHNL	Use for 14" x 20"
		15" Frame Width	
3	722594	SEAT SLING 12" X 14" CHNL	Use for 15" x 14"
3	722595	SEAT SLING 12" X 15" CHNL	Use for 15" x 15"
3	722596	SEAT SLING 12" X 16" CHNL	Use for 15" x 16"
3	722597	SEAT SLING 12" X 17" CHNL	Use for 15" x 17"
3	722598	SEAT SLING 12" X 18" CHNL	Use for 15" x 18"
3	241518	SEAT SLING 12" X 19" CHNL	Use for 15" x 19"
3	241519	SEAT SLING 12" X 20" CHNL	Use for 15" x 20"
		16" Frame Width	
3	722604	SEAT SLING 13" X 14" CHNL	Use for 16" x 14"
3	722605	SEAT SLING 13" X 15" CHNL	Use for 16" x 15"
3	722606	SEAT SLING 13" X 16" CHNL	Use for 16" x 16"
3	722607	SEAT SLING 13" X 17" CHNL	Use for 16" x 17"
3	722608	SEAT SLING 13" X 18" CHNL	Use for 16" x 18"
3	722609	SEAT SLING 13" X 19" CHNL	Use for 16" x 19"
3	722610	SEAT SLING 13" X 20" CHNL	Use for 16" x 20"
		17" Frame Width	
3	722620	SEAT SLING 14" X 14" CHNL	Use for 17" x 14"
3	722621	SEAT SLING 14" X 15" CHNL	Use for 17" x 15"
3	722622	SEAT SLING 14" X 16" CHNL	Use for 17" x 16"
3	722623	SEAT SLING 14" X 17" CHNL	Use for 17" x 17"
3	722624	SEAT SLING 14" X 18" CHNL	Use for 17" x 18"
3	722625	SEAT SLING 14" X 19" CHNL	Use for 17" x 19"
3	722626	SEAT SLING 14" X 20" CHNL	Use for 17" x 20"
		18" Frame Width	
3	722630	SEAT SLING 15" X 14" CHNL	Use for 18" x 14"
3	722631	SEAT SLING 15" X 15" CHNL	Use for 18" x 15"
3	722632	SEAT SLING 15" X 16" CHNL	Use for 18" x 16"
3	722633	SEAT SLING 15" X 17" CHNL	Use for 18" x 17"
3	722634	SEAT SLING 15" X 18" CHNL	Use for 18" x 18"
3	722635	SEAT SLING 15" X 19" CHNL	Use for 18" x 19"
3	722636	SEAT SLING 15" X 20" CHNL	Use for 18" x 20"
		19" Frame Width	
3	722640	SEAT SLING 16" X 14" CHNL	Use for 19" x 14"
3	722641	SEAT SLING 16" X 15" CHNL	Use for 19" x 15"
3	722642	SEAT SLING 16" X 16" CHNL	Use for 19" x 16"
3	722643	SEAT SLING 16" X 17" CHNL	Use for 19" x 17"
3	722644	SEAT SLING 16" X 18" CHNL	Use for 19" x 18"
3	722645	SEAT SLING 16" X 19" CHNL	Use for 19" x 19"
3	722646	SEAT SLING 16" X 20" CHNL	Use for 19" x 20"
		20" Frame Width	
3	722650	SEAT SLING 17" X 14" CHNL	Use for 20" x 14"
3	722651	SEAT SLING 17" X 15" CHNL	Use for 20" x 15"
3	722652	SEAT SLING 17" X 16" CHNL	Use for 20" x 16"
3	722653	SEAT SLING 17" X 17" CHNL	Use for 20" x 17"
3	722654	SEAT SLING 17" X 18" CHNL	Use for 20" x 18"
3	722655	SEAT SLING 17" X 19" CHNL	Use for 20" x 19"
3	722656	SEAT SLING 17" X 20" CHNL	Use for 20" x 20"
4	108117	SEAT RAIL END PLUG KIT	Set of 4



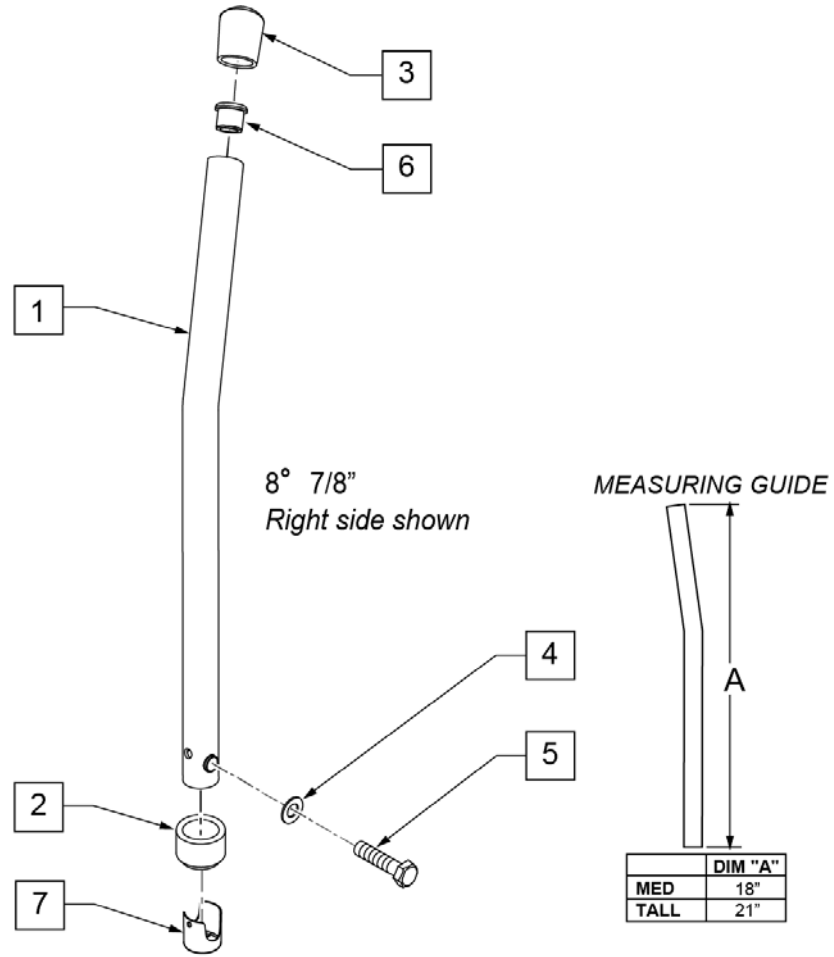
MEASURING GUIDE



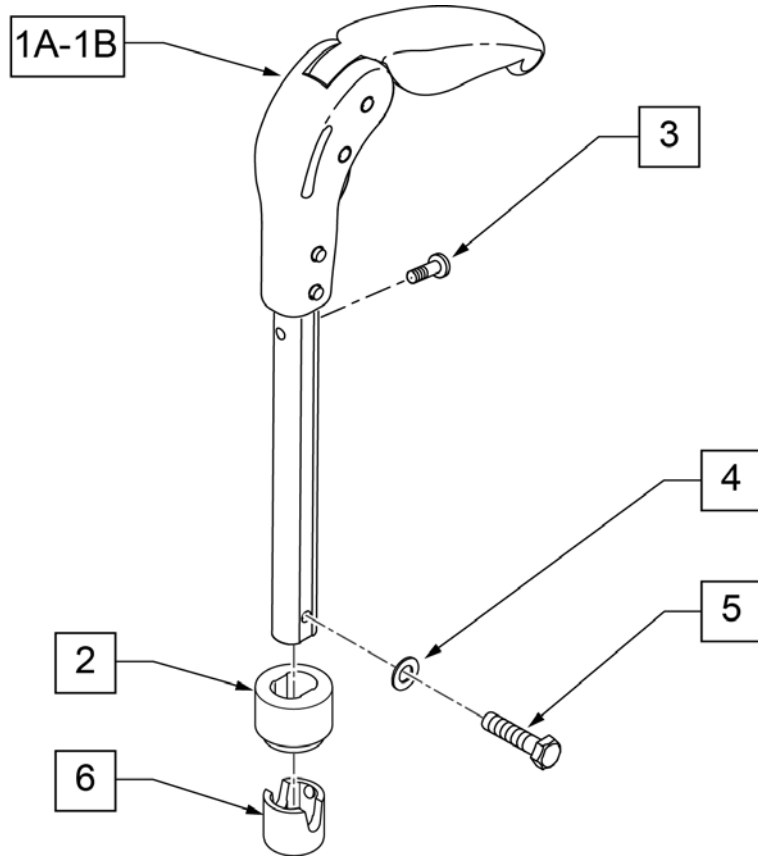
	DIM "A"
MED	20 1/4"
TALL	23"

9 BACK ATTACHMENT KIT QX			
POS #	ILLUSTRATION	DESCRIPTION	QTY
4		WASHER WAVE 6MM	1
5		HHCS M6X1X20 PL	1
6		BUSHING BACKREST 7/8 OD NF	1

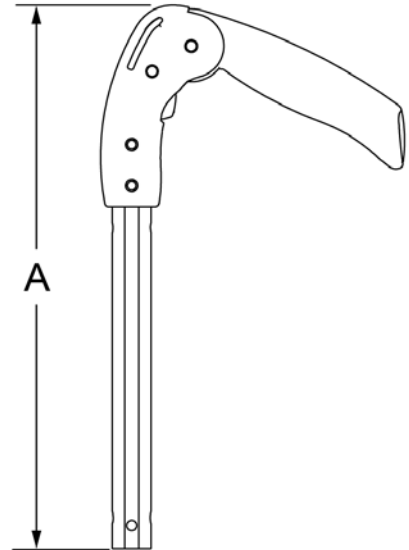
Pos.	Item Number	Description	Remarks
2	561083	1 1/8" TUBE END BUSHING	
3	107384	PAN HD PHIL 10/32 x 5/8 ROHS	
4	104414	WAVE WASHER 6 MM	
5	118192	HHCS M6X1X20 PL	
6	106919	BUSHING BACKREST 7/8 OD NF	
7	561007	7/8" INSERT PLUG .083	
8	920024	QUICKIE GRIP 7/8	
9	161232	BACK ATTACHMENT KIT QX	
1,2,7,8	107335	TUBE BK 8DPH ASSY 7/8 TAL RH	Right-Med for QXi
1,2,7,8	107336	TUBE BK 8DPH ASSY 7/8 TAL LH	Left-Med for QXi
1,2,7,8	118177	TUBE BK 8DPH ASSY 7/8 15.1 RH	Right-Tall for QXi
1,2,7,8	118178	TUBE BK 8DPH ASSY 7/8 15.1 LH	Left-Tall for QXi
1,2,7,8	134649	TUBE BACK 8DPH STEEL 18.1 RH	Right-Extra Tall for QXi
1,2,7,8	134653	TUBE BACK 8DPH STEEL 18.1 LH	Left-Extra Tall for QXi



Pos.	Item Number	Description	Remarks
2	561083	1 1/8" TUBE END BUSHING	
3	561013	7/8" CAP	
4	104414	WAVE WASHER 6 MM	
5	118192	HHCS M6X1X20 PL	
6	561007	7/8" INSERT PLUG .083	
7	106919	BUSHING BACKREST 7/8 OD NF	
1,2,3,6	107339	TUBE BACK 8° ASSM TALL RH	RIGHT MED 8° NON-PUSH HANDLE (OMIT PH)
1,2,3,6	107340	TUBE BACK 8D ASSY TALL LH	LEFT MED 8° NON-PUSH HANDLE (OMIT PH)
1,2,3,6	118175	TUBE BACK 8D ASSY 15.1 RH	RIGHT TALL 8° NON-PUSH HANDLE (OMIT PH)
1,2,3,6	118176	TUBE BACK 8D ASSY 15.1 LH	LEFT TALL 8° DEG NON-PUSH HANDLE (OMIT PH)

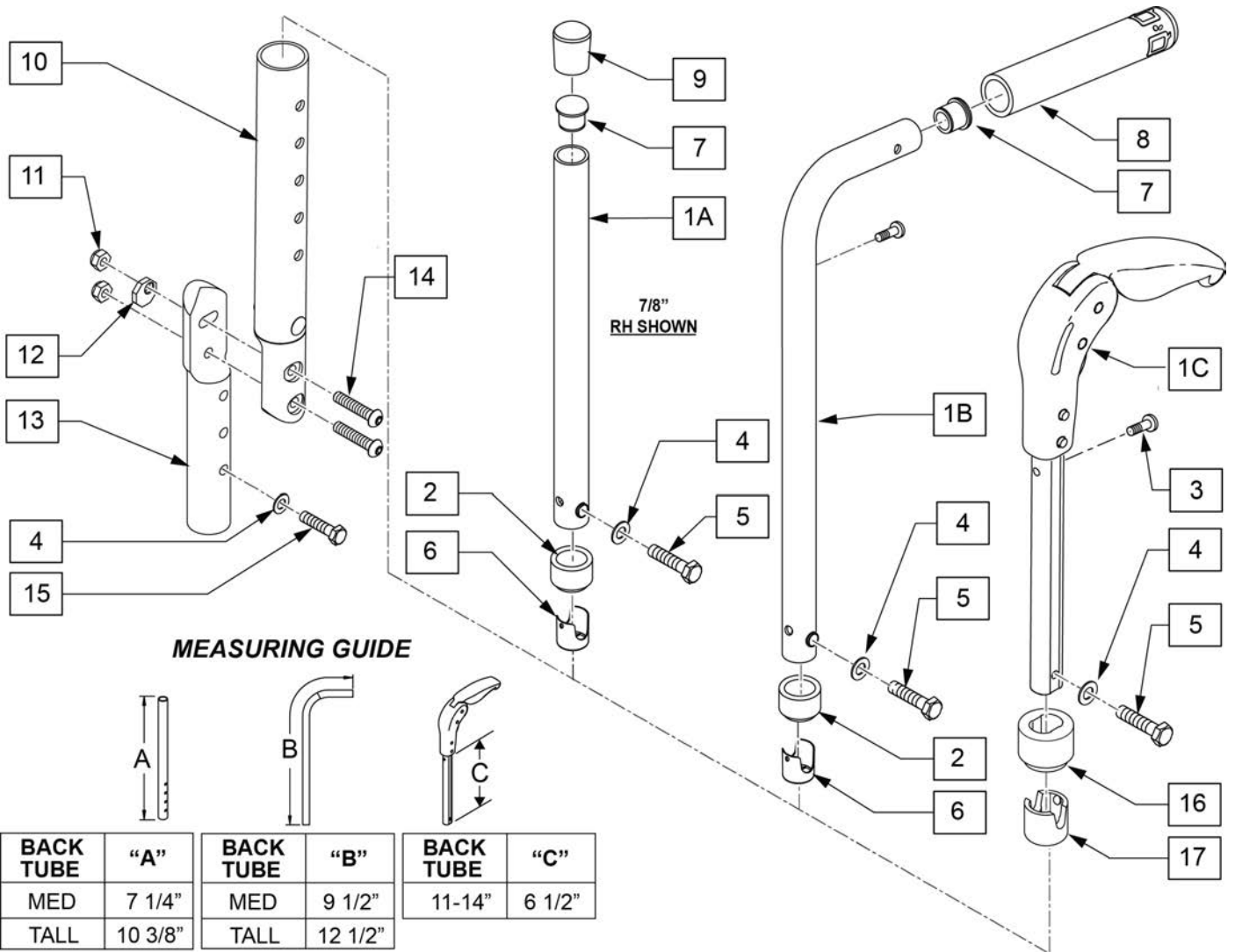


**MEASURING GUIDE**



DIM "A"	DESCRIPTION
18.75"	MED
21.75"	TALL

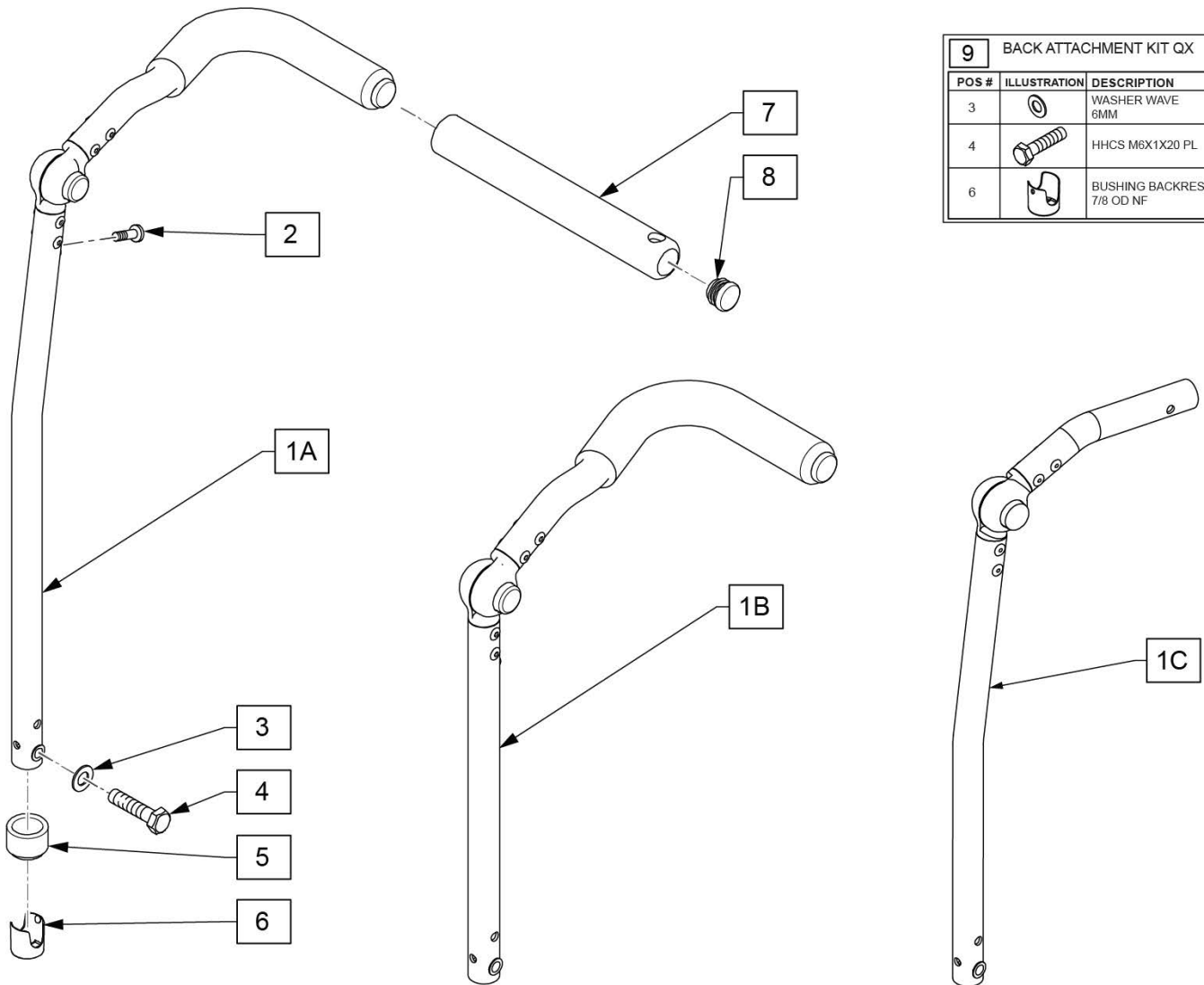
Pos.	Item Number	Description	Remarks
1A	118179	ASSY FOLD DOWN PH 16.50	Med
1B	118180	ASSY FOLD DOWN PH 19.50	Tall
2	118766	1-1/8 TUBE END BUSHING FLD PH	
3	107384	PAN HD PHIL 10/32 X 5/8 ROHS	
4	104414	WAVE WASHER 6 MM	
5	118192	HHCS M6X1X20 PL	
6	118758	BUSHING BCKRST FLDG 1.125	



Pos.	Item Number	Description	Remarks
1C	882605	FLDG PSH HNDL W/INSRT 11"-14	Tall
2	561083	1 1/8" TUBE END BUSHING	
3	107384	PAN HD PHIL 10/32 x 5/8 ROHS	
4	104414	WAVE WASHER 6MM	
5	118192	HHCS M6X1X20 PL	
6	106919	BUSHING BACKREST 7/8 OD NF	
7	561007	7/8" INSERT PLUG .083	
8	920024	QUICKIE GRIP 7/8	
9	561013	7/8" CAP	
11	104381	NUT HEX NYLOCK M6X1.0	
12	119342	ECCENTRIC WASHER MET	
14	102262-005	BHCS, M6X1X30,FULL,NP	
15	118758	BUSHING BCKRST FLDG 1.125	
16	118766	1-1/8 TUBE END BUSHING FLD PH	
17	118758	BUSHING BCKRST FLDG 1.125	
1A,2,4,5,7,9	118173	TUBE BACK ASSY 7/8 7.3 RH	RIGHT MED STD NON-PUSH HANDLE (OMIT PH)
1A,2,4,5,7,9	118174	TUBE BACK ASSY 7/8 7.3 LH	LEFT MED STD NON-PUSH HANDLE (OMIT PH)
1A,2,4,5,7,9	118171	TUBE BACK ASSY 7/8 10.3 RH	RIGHT TALL STD NON-PUSH HANDLE (OMIT PH)

Pos.	Item Number	Description	Remarks
1A,2,4,5,7,9	118172	TUBE BACK ASSY 7/8 10.3 LH	LEFT TALL STD NON-PUSH HANDLE (OMIT PH)
1B,2,7,8	118167	TUBE BACK PH ASSY 7/8 10.3 RH	Right
1B,2,7,8	118168	TUBE BACK PH ASSY 7/8 10.3 LH	Left
1B,2,7,8	118169	TUBE BACK PH ASSY 7/8 7.3 RH	Right
1B,2,7,8	118170	TUBE BACK PH ASSY 7/8 7.3 LH	Left
10-14	120619	ANGLE ADJ BCK LWR ASSY RH	Right
10-14	120620	ANGLE ADJ BCK LWR ASSY LH	Left



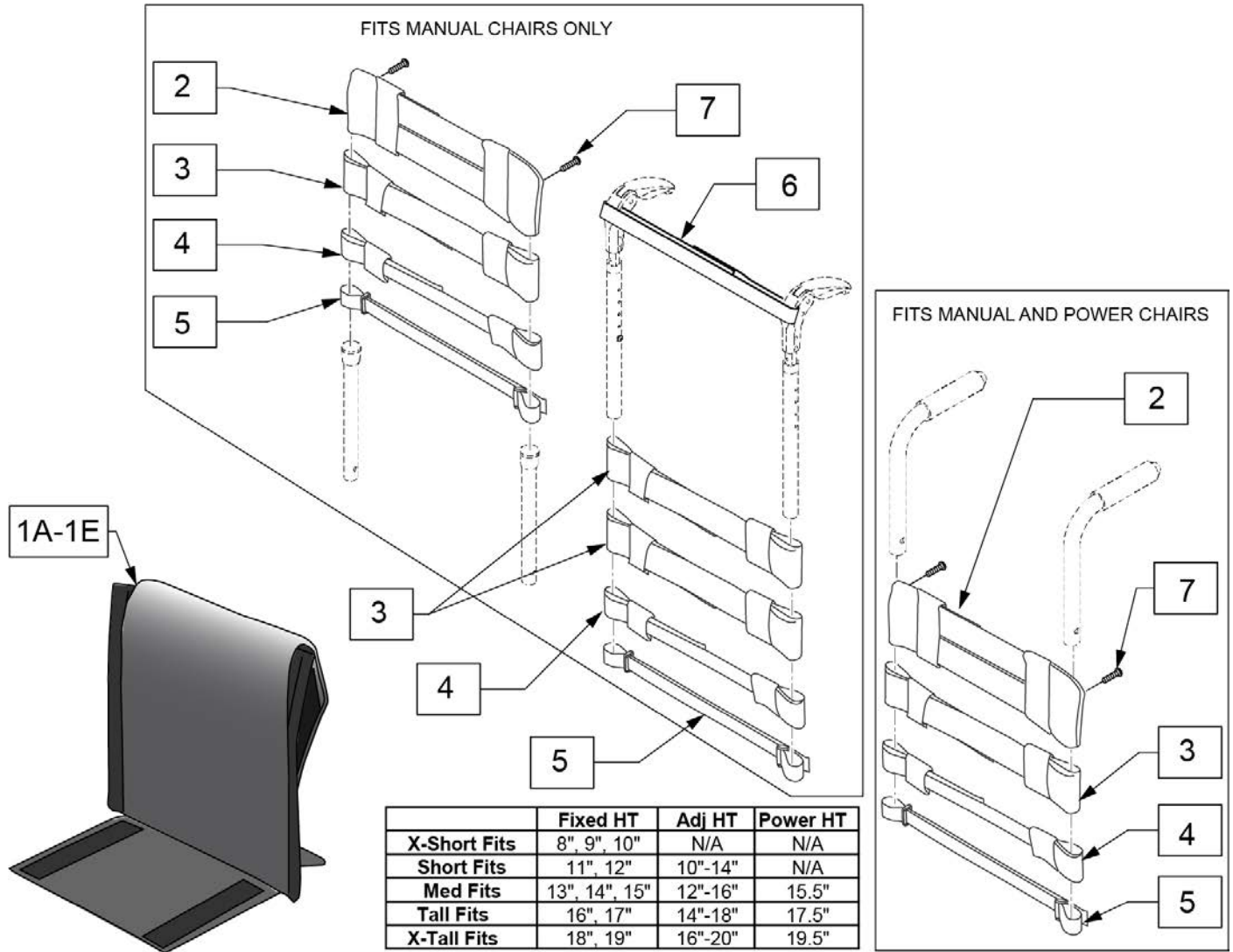


9 BACK ATTACHMENT KIT QX			
POS #	ILLUSTRATION	DESCRIPTION	QTY
3		WASHER WAVE 6MM	1
4		HHCS M6X1X20 PL	1
6		BUSHING BACKREST 7/8 OD NF	1

Pos.	Item Number	Description	Remarks
1A,5-8	241610	13-17 BK HT RH M RIVNUT	Right
1A,5-8	241611	13-17 BK HT LH M RIVNUT	Left
1A,5-8	241612	16-20 BK HT RH M RIVNUT	Right
1A,5-8	241613	16-20 BK HT LH M RIVNUT	Left
1A,5-8	241621	19-22 BK HT RH M RIVNUT	Right
1A,5-8	241622	19-22 BK HT LH M RIVNUT	Left
1B,5-8	241626	STD BK 13-17 HT ADJ PH R	Right
1B,5-8	241627	STD BK 13-17 HT ADJ PH L	Left
1B,5-8	241628	STD BK 16-20 HT ADJ PH R	Right
1B,5-8	241629	STD BK 16-20 HT ADJ PH L	Left
1B,5-8	241634	STD BK 19-22 HT ADJ PH R	Right
1B,5-8	241635	STD BK 19-22 HT ADJ PH L	Left
1B,5-8	241658	STD BK 13-19 HT ANG ADJ PH R	Right
1B,5-8	241659	STD BK 13-19 HT ANG ADJ PH L	Left
1B,5-8	241660	STD BK 16-22 HT ANG ADJ PH R	Right
1B,5-8	241661	STD BK 16-22 HT ANG ADJ PH L	Left
1C,5,6	241245	STAB BAR STRLLR HANDLE TALL RH	Right
1C,5,6	241246	STAB BAR STRLLR HANDLE TALL LH	Left

Pos.	Item Number	Description	Remarks
2	107384	PAN HD PHIL 10/32 X 5/8 ROHS	
3	104414	WAVE WASHER 6 MM	
4	118192	HHCS M6 X 1 X 20 PL	
5	561083	1-1/8" TUBE END BUSHING THIN	
6	106919	BUSHING BACKREST 7/8 OD NF	
7	560638	FOAM GRIP	
8	560735	7/8" ROUND TUBE PLUG	
9	161232	BACK ATTACHMENT KIT QX	

Note: Each back height uses a different variation of back straps; replacement strap kits contain more straps than needed to support all back heights.

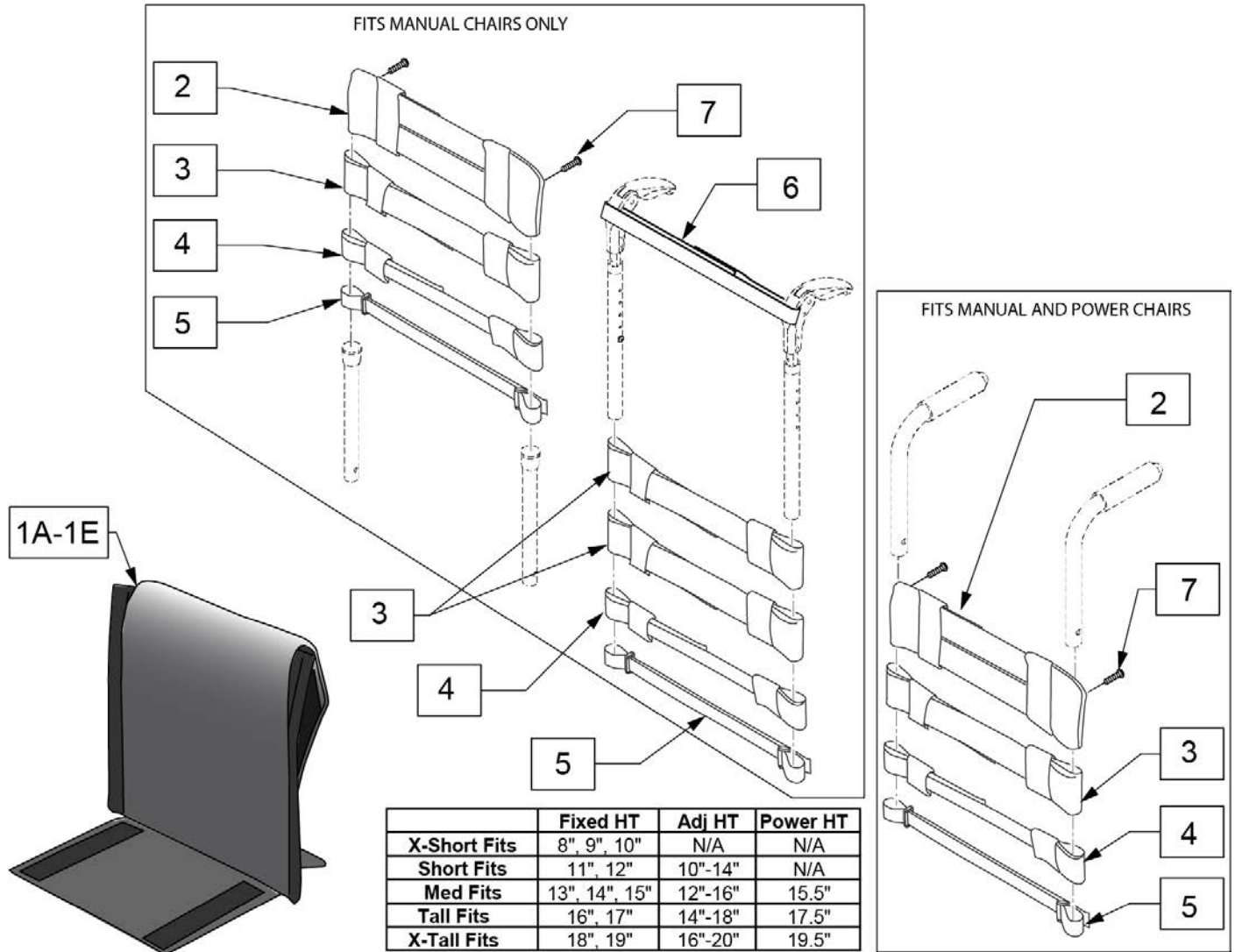


Pos.	Item Number	Description	Remarks
2	113712	TOP CAP, STD, 11 -12"	Used for Omit Push Handle & Integral Push Handle only
2	113713	TOP CAP, STD, 13 -14"	Used for Omit Push Handle & Integral Push Handle only
2	113714	TOP CAP, STD, 15 -16"	Used for Omit Push Handle & Integral Push Handle only
2	113715	TOP CAP, STD, 17 -18"	Used for Omit Push Handle & Integral Push Handle only
2	113716	TOP CAP, STD, 19 -20"	Used for Omit Push Handle & Integral Push Handle only
3	113727	STRAP PADDED 2", 11 -12"	
3	113728	STRAP PADDED 2", 13 -14"	
3	113729	STRAP PADDED 2", 15 -16"	
3	113730	STRAP PADDED 2", 17 -18"	
3	113731	STRAP PADDED 2", 19 -20"	
4	113732	STRAP PADDED 1", 11 -12"	
4	113733	STRAP PADDED 1", 13 -14"	
4	113734	STRAP PADDED 1", 15 -16"	
4	113735	STRAP PADDED 1", 16 -17"	

Pos.	Item Number	Description	Remarks
4	113736	STRAP PADDED 1", 18 -19"	
5	113717	POSITION STRAP 1", 11 -12	
5	113718	POSITION STRAP 1", 13 -14	
5	113719	POSITION STRAP 1", 15 -16	
5	113720	POSITION STRAP 1", 17 -18	
5	113721	POSITION STRAP 1", 19 -20	
6	052435-001	UPH,VNTD ADJ.,FPH STRP,12-13"W	Fold Down Push Handles only
6	052435-002	UPH,VNTD ADJ.,FPH STRP,14-15"W	Fold Down Push Handles only
6	052435-003	UPH,VNTD ADJ.,FPH STRP,16-17"W	Fold Down Push Handles only
6	052435-004	UPH,VNTD ADJ.,FPH STRP,18-20"W	Fold Down Push Handles only
7	107384	PAN HD PHIL 10/32 X 5/8 ROHS	
2-7	114879	ADJ UPH 11-12W STRAP KIT	
2-7	114880	ADJ UPH 13-14W STRAP KIT	
2-7	114881	ADJ UPH 15-16W STRAP KIT	
2-7	114882	ADJ UPH 17-18W STRAP KIT	
2-7	114883	ADJ UPH 19-20W STRAP KIT	
1A,2-7	113321-001	ADJ UP 12W X-SHT ASM	
1B,2-7	113321-002	ADJ UP 12W SHT ASM	
1C,2-7	113321-003	ADJ UP 12W MED ASM	
1D,2-7	113321-004	ADJ UP 12W TAL ASM	
1E,2-7	113321-005	ADJ UP 12W X-TAL ASM	
1A,2-7	113321-006	ADJ UP 13W X-SHT ASM	
1B,2-7	113321-007	ADJ UP 13W SHT ASM	
1C,2-7	113321-008	ADJ UP 13W MED ASM	
1D,2-7	113321-009	ADJ UP 13W TAL ASM	
1E,2-7	113321-010	ADJ UP 13W X-TAL ASM	
1A,2-7	113321-011	ADJ UP 14W X-SHT ASM	
1B,2-7	113321-012	ADJ UP 14W SHT ASM	
1C,2-7	113321-013	ADJ UP 14W MED ASM	
1D,2-7	113321-014	ADJ UP 14W TAL ASM	
1E,2-7	113321-015	ADJ UP 14W X-TAL ASM	
1A,2-7	113321-016	ADJ UP 15W X-SHT ASM	
1B,2-7	113321-017	ADJ UP 15W SHT ASM	
1C,2-7	113321-018	ADJ UP 15W MED ASM	
1D,2-7	113321-019	ADJ UP 15W TAL ASM	
1E,2-7	113321-020	ADJ UP 15W X-TAL ASM	
1A,2-7	113321-021	ADJ UP 16W X-SHT ASM	
1B,2-7	113321-022	ADJ UP 16W SHT ASM	
1C,2-7	113321-023	ADJ UP 16W MED ASM	
1D,2-7	113321-024	ADJ UP 16W TAL ASM	
1E,2-7	113321-025	ADJ UP 16W X-TAL ASM	
1A,2-7	113321-026	ADJ UP 17W X-SHT ASM	
1B,2-7	113321-027	ADJ UP 17W SHT ASM	
1C,2-7	113321-028	ADJ UP 17W MED ASM	
1D,2-7	113321-029	ADJ UP 17W TAL ASM	
1E,2-7	113321-030	ADJ UP 17W X-TAL ASM	
1A,2-7	113321-031	ADJ UP 18W X-SHT ASM	
1B,2-7	113321-032	ADJ UP 18W SHT ASM	
1C,2-7	113321-033	ADJ UP 18W MED ASM	
1D,2-7	113321-034	ADJ UP 18W TAL ASM	
1E,2-7	113321-035	ADJ UP 18W X-TAL ASM	
1A,2-7	113321-036	ADJ UP 19W X-SHT ASM	
1B,2-7	113321-037	ADJ UP 19W SHT ASM	
1C,2-7	113321-038	ADJ UP 19W MED ASM	
1D,2-7	113321-039	ADJ UP 19W TAL ASM	
1E,2-7	113321-040	ADJ UP 19W X-TAL ASM	
1A,2-7	113321-041	ADJ UP 20W X-SHT ASM	

<b>Pos.</b>	<b>Item Number</b>	<b>Description</b>	<b>Remarks</b>
1B,2-7	113321-042	ADJ UP 20W SHT ASM	
1C,2-7	113321-043	ADJ UP 20W MED ASM	
1D,2-7	113321-044	ADJ UP 20W TAL ASM	
1E,2-7	113321-045	ADJ UP 20W X-TAL ASM	

Note: Each back height uses a different variation of back straps; replacement strap kits contain more straps than needed to support all back heights.



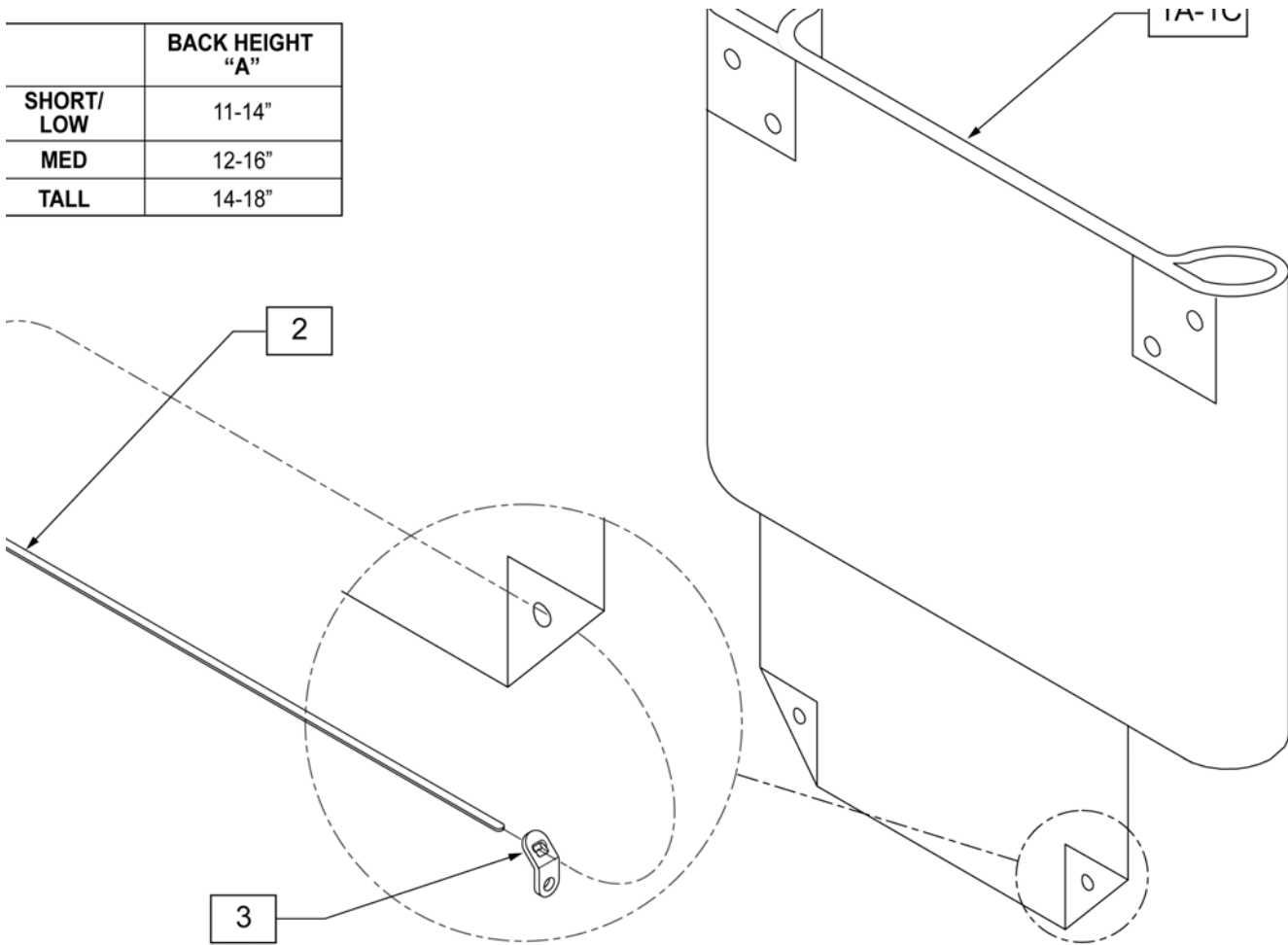
Pos.	Item Number	Description	Remarks
2	113712	TOP CAP, STD, 11 -12"	Used for Omit Push Handle & Integral Push Handle only
2	113713	TOP CAP, STD, 13 -14"	Used for Omit Push Handle & Integral Push Handle only
2	113714	TOP CAP, STD, 15 -16"	Used for Omit Push Handle & Integral Push Handle only
2	113715	TOP CAP, STD, 17 -18"	Used for Omit Push Handle & Integral Push Handle only
2	113716	TOP CAP, STD, 19 -20"	Used for Omit Push Handle & Integral Push Handle only
3	113727	STRAP PADDED 2", 11 -12"	
3	113728	STRAP PADDED 2", 13 -14"	
3	113729	STRAP PADDED 2", 15 -16"	
3	113730	STRAP PADDED 2", 17 -18"	
3	113731	STRAP PADDED 2", 19 -20"	
4	113732	STRAP PADDED 1", 11 -12"	
4	113733	STRAP PADDED 1", 13 -14"	
4	113734	STRAP PADDED 1", 15 -16"	
4	113735	STRAP PADDED 1", 16 -17"	

Pos.	Item Number	Description	Remarks
4	113736	STRAP PADDED 1", 18 -19"	
5	113717	POSITION STRAP 1", 11 -12	
5	113718	POSITION STRAP 1", 13 -14	
5	113719	POSITION STRAP 1", 15 -16	
5	113720	POSITION STRAP 1", 17 -18	
5	113721	POSITION STRAP 1", 19 -20	
6	052435-001	UPH,VNTD ADJ.,FPH STRP,12-13"W	Fold Down Push Handles only
6	052435-002	UPH,VNTD ADJ.,FPH STRP,14-15"W	Fold Down Push Handles only
6	052435-003	UPH,VNTD ADJ.,FPH STRP,16-17"W	Fold Down Push Handles only
6	052435-004	UPH,VNTD ADJ.,FPH STRP,18-20"W	Fold Down Push Handles only
7	107384	PAN HD PHIL 10/32 X 5/8 ROHS	
2-7	114879	ADJ UPH 11-12W STRAP KIT	
2-7	114880	ADJ UPH 13-14W STRAP KIT	
2-7	114881	ADJ UPH 15-16W STRAP KIT	
2-7	114882	ADJ UPH 17-18W STRAP KIT	
2-7	114883	ADJ UPH 19-20W STRAP KIT	
1A,2-7	113322-001	VNT ADJ UP 12W X-SHT ASM	
1B,2-7	113322-002	VNT ADJ UP 12W SHT ASM	
1C,2-7	113322-003	VNT ADJ UP 12W MED ASM	
1D,2-7	113322-004	VNT ADJ UP 12W TAL ASM	
1E,2-7	113322-005	VNT ADJ UP 12W X-TAL ASM	
1A,2-7	113322-006	VNT ADJ UP 13W X-SHT ASM	
1B,2-7	113322-007	VNT ADJ UP 13-W SHT ASM	
1C,2-7	113322-008	VNT ADJ UP 13W MED ASM	
1D,2-7	113322-009	VNT ADJ UP 13W TAL ASM	
1E,2-7	113322-010	VNT ADJ UP 13W X-TAL ASM	
1A,2-7	113322-011	VNT ADJ UP 14W X-SHT ASM	
1B,2-7	113322-012	VNT ADJ UP 14W SHT ASM	
1C,2-7	113322-013	VNT ADJ UP 14W MED ASM	
1D,2-7	113322-014	VNT ADJ UP 14W TAL ASM	
1E,2-7	113322-015	VNT ADJ UP 14W X-TAL ASM	
1A,2-7	113322-016	VNT ADJ UP 15W X-SHT ASM	
1B,2-7	113322-017	VNT ADJ UP 15W SHT ASM	
1C,2-7	113322-018	VNT ADJ UP 15W MED ASM	
1D,2-7	113322-019	VNT ADJ UP 15W TAL ASM	
1E,2-7	113322-020	VNT ADJ UP 15W X-TAL ASM	
1A,2-7	113322-021	VNT ADJ UP 16W X-SHT ASM	
1B,2-7	113322-022	VNT ADJ UP 16W SHT ASM	
1C,2-7	113322-023	VNT ADJ UP 16W MED ASM	
1D,2-7	113322-024	VNT ADJ UP 16W TAL ASM	
1E,2-7	113322-025	VNT ADJ UP 16W X-TAL ASM	
1A,2-7	113322-026	VNT ADJ UP 17W X-SHT ASM	
1B,2-7	113322-027	VNT ADJ UP 17W SHT ASM	
1C,2-7	113322-028	VNT ADJ UP 17W MED ASM	
1D,2-7	113322-029	VNT ADJ UP 17W TAL ASM	
1E,2-7	113322-030	VNT ADJ UP 17W X-TAL ASM	
1A,2-7	113322-031	VNT ADJ UP 18W X-SHT ASM	
1B,2-7	113322-032	VNT ADJ UP 18W SHT ASM	
1C,2-7	113322-033	VNT ADJ UP 18W MED ASM	
1D,2-7	113322-034	VNT ADJ UP 18W TAL ASM	
1E,2-7	113322-035	VNT ADJ UP 18W X-TAL ASM	
1A,2-7	113322-036	VNT ADJ UP 19W X-SHT ASM	
1B,2-7	113322-037	VNT ADJ UP 19W SHT ASM	
1C,2-7	113322-038	VNT ADJ UP 19W MED ASM	
1D,2-7	113322-039	VNT ADJ UP 19W TAL ASM	
1E,2-7	113322-040	VNT ADJ UP 19W X-TAL ASM	
1A,2-7	113322-041	VNT ADJ UP 20W X-SHT ASM	

<b>Pos.</b>	<b>Item Number</b>	<b>Description</b>	<b>Remarks</b>
1B,2-7	113322-042	VNT ADJ UP 20W SHT ASM	
1C,2-7	113322-043	VNT ADJ UP 20W MED ASM	
1D,2-7	113322-044	VNT ADJ UP 20W TAL ASM	
1E,2-7	113322-045	VNT ADJ UP 20W X-TAL ASM	



	BACK HEIGHT "A"
SHORT/ LOW	11-14"
MED	12-16"
TALL	14-18"

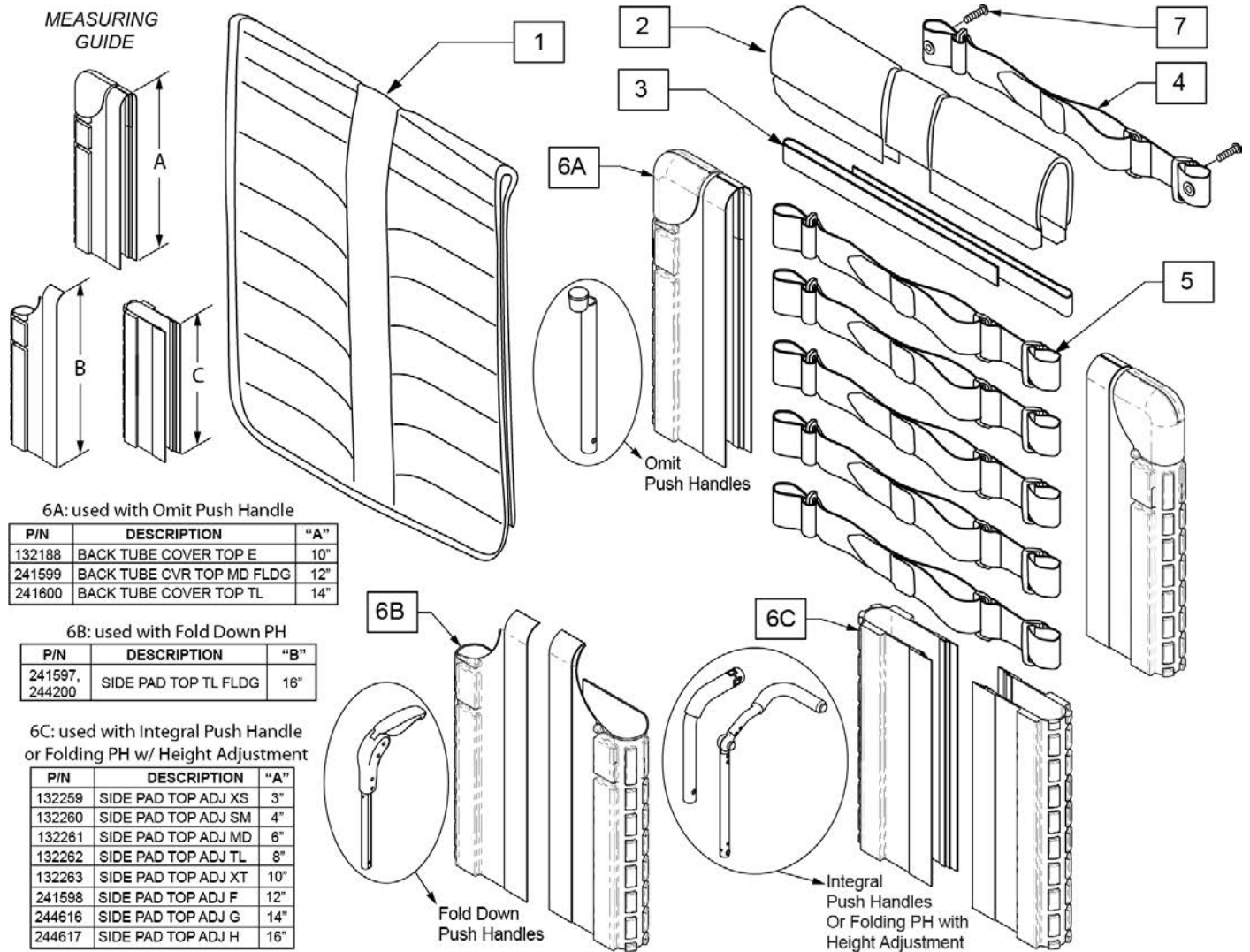


Pos.	Item Number	Description	Pos.	Item Number	Description
1A	684010	BACK UPHOLSTERY 11-12 Q2 LOW	1A	684060	BACK UPHOLSTERY 17 Q2 LOW
1B	684012	BACK UPHOLSTERY 11-12 Q2 MED Rx 14	1B	684062	BACK UPHOLSTERY 17 Q2 MED Rx 14
1C	684014	BACK UPHOLSTERY 11-12 Q2 TALL Rx 17/19	1C	684064	BACK UPHOLSTERY 17 Q2 TALL Rx 17/19
1A	684020	BACK UPHOLSTERY 13 Q2 LOW	1A	684070	BACK UPHOLSTERY 18 Q2 LOW
1B	684022	BACK UPHOLSTERY 13 Q2 MED Rx 14	1B	684072	BACK UPHOLSTERY 18 Q2 MED Rx 14
1C	684024	BACK UPHOLSTERY 13 Q2 TALL Rx 17/19	1C	684074	BACK UPHOLSTERY 18 Q2 TALL Rx 17/19
1A	684030	BACK UPHOLSTERY 14 Q2 LOW	1A	684080	BACK UPHOLSTERY 19 Q2 LOW
1B	684032	BACK UPHOLSTERY 14 Q2 MED Rx 14	1B	684082	BACK UPHOLSTERY 19 Q2 MED Rx 14
1C	684034	BACK UPHOLSTERY 14 Q2 TALL Rx 17/19	1C	684084	BACK UPHOLSTERY 19 Q2 TALL Rx 17/19
1A	684040	BACK UPHOLSTERY 15 Q2 LOW	1A	684090	BACK UPHOLSTERY 20 Q2 LOW
1B	684042	BACK UPHOLSTERY 15 Q2 MED Rx 14	1B	684092	BACK UPHOLSTERY 20 Q2 MED Rx 14
1C	684044	BACK UPHOLSTERY 15 Q2 TALL Rx 17/19	1C	684094	BACK UPHOLSTERY 20 Q2 TALL Rx 17/19
1A	684050	BACK UPHOLSTERY 16 Q2 LOW	2	560410	ZIP TIE BLK
1B	684052	BACK UPHOLSTERY 16 Q2 MED Rx 14	3	560227	2 HOLE TOGGLE BENT PLST
1C	684054	BACK UPHOLSTERY 16 Q2 TALL Rx 17/19			

**Note:** Each back height/type uses a different variation of back straps; replacement strap kits contain more straps than needed to support all back types/heights.

**Note:** Item 6A/6B/6C is required when ordering a complete back upholstery; order 2 each of the universal item 6A or 6C, or order left and right parts for item 6B; order based on Backrest Type, Back Post/Push Handle Style & Back Height Setting on the chair.

**Note:** for a Complete Backrest Upholstery, order item 1-5 and item 6A/6B/6C.



Pos.	Item Number	Description	Remarks
2	244215	BACKREST PAD SMALL 14"	Seat width 14"
2	244216	BACKREST PAD SMALL 15"	Seat width 15"
2	131876	BACKREST PAD SMALL 16"	Seat width 16"
2	244217	BACKREST PAD LARGE 17"	Seat width 17"
2	244218	BACKREST PAD LARGE 18"	Seat width 18"

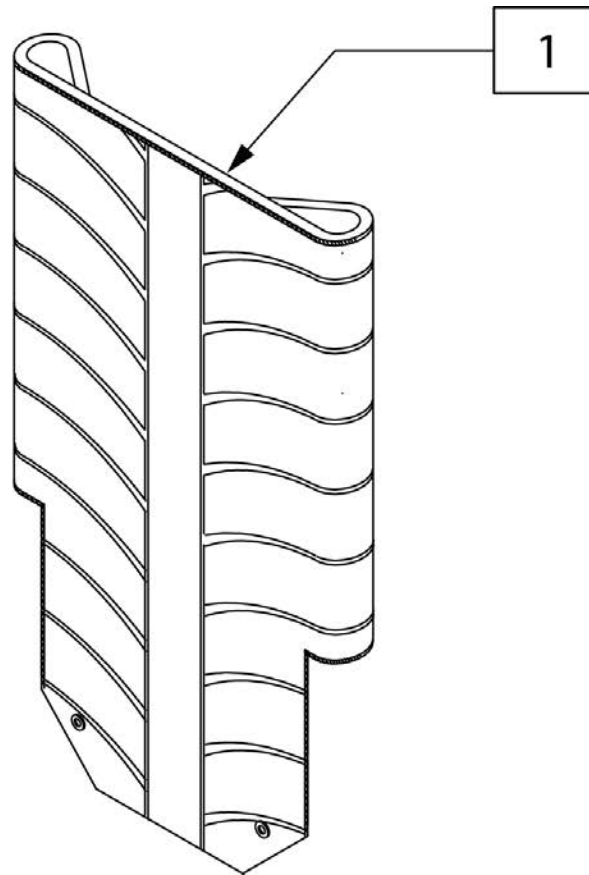
Pos.	Item Number	Description	Remarks
2	244219	BACKREST PAD LARGE 19"	Seat width 19"
2	131877	BACKREST PAD LARGE 20"	Seat width 20"
3	052435-002	UPH,VNTD ADJ.,FPH STRP,14-15"W	Fold down push handle only
3	052435-003	UPH,VNTD ADJ.,FPH STRP,16-17"W	Fold down push handle only
3	052435-004	UPH,VNTD ADJ.,FPH STRP,18-20"W	Fold down push handle only
4	132337	BACK BELT ASSY W/ GROMMET 10-16	Integral, Omit & Folding w/Height Adj push handles
4	132338	BACK BELT ASSY W/ GROMMET 17-18	Integral, Omit & Folding w/Height Adj push handles
4	132339	BACK BELT ASSY W/ GROMMET 19-22	Integral, Omit & Folding w/Height Adj push handles
5	132297	BACK BELT ASSY 10-16	
5	132298	BACK BELT ASSY 17-18	
5	132299	BACK BELT ASSY 19-20	
6A	132188	BACK TUBE COVER TOP E	omit push handle only; see ordering guide
6A	241599	BACK TUBE COVER TOP MD FLDG	QXi ONLY; Med; Ht:13-17"; omit push handle only
6A	241600	BACK TUBE COVER TOP TL	Tall; Ht:16-20"; omit push handle only
6B	241597	SIDE PAD TOP TL FLDG RH	Q2 Lite only; Right; Tall: 16-20"; Fold down push handle only
6B	244200	SIDE PAD TOP TL FLDG LH	Q2 Lite only; Left; Tall: 16-20"; Fold down push handle only
6C	132259	SIDE PAD TOP ADJ XS	Ht:11"; for Integral PH OR Folding PH w/ Ht Adj; see ordering guide
6C	132260	SIDE PAD TOP ADJ SM	Ht:12",13"; Adj.Ht:10-14"; for Integral PH OR Folding PH w/ Ht Adj; see ordering guide
6C	132261	SIDE PAD TOP ADJ MD	Ht:14",15"; Adj.Ht:12-16"; for Integral PH OR Folding PH w/ Ht Adj; see ordering guide
6C	132262	SIDE PAD TOP ADJ TL	Ht:16"; Adj.Ht:14-18"; for Integral PH OR Folding PH w/ Ht Adj; see ordering guide
6C	132263	SIDE PAD TOP ADJ XT	Adj.Ht:16-20"; for Integral PH OR Folding PH w/ Ht Adj; see ordering guide
6C	241598	SIDE PAD TOP ADJ F	for Integral PH OR Folding PH w/ Ht Adj; see ordering guide
6C	244616	SIDE PAD TOP ADJ G	for Integral PH OR Folding PH w/ Ht Adj; see ordering guide
6C	244617	SIDE PAD TOP ADJ H	for Integral PH OR Folding PH w/ Ht Adj; see ordering guide
7	107384	PAN HD PHIL 10/32 X 5/8 ROHS	
1-5	161665	BACK UPH TA EXO 12 WD XS	
1-5	161666	BACK UPH TA EXO 12 WD SM	
1-5	161667	BACK UPH TA EXO 12 WD MD	
1-5	161668	BACK UPH TA EXO 12 WD TL	
1-5	161669	BACK UPH TA EXO 12 WD XT	
1-5	161670	BACK UPH TA EXO 13 WD XS	
1-5	161671	BACK UPH TA EXO 13 WD SM	
1-5	161672	BACK UPH TA EXO 13 WD MD	
1-5	161673	BACK UPH TA EXO 13 WD TL	
1-5	161674	BACK UPH TA EXO 13 WD XT	
1-5	161675	BACK UPH TA EXO 14 WD XS	
1-5	161676	BACK UPH TA EXO 14 WD SM	
1-5	161677	BACK UPH TA EXO 14 WD MD	
1-5	161441	BACK UPH TA EXO 14 WD TL	
1-5	161442	BACK UPH TA EXO 14 WD XT	
1-5	161678	BACK UPH TA EXO 15 WD XS	
1-5	161679	BACK UPH TA EXO 15 WD SM	
1-5	161680	BACK UPH TA EXO 15 WD MD	
1-5	161443	BACK UPH TA EXO 15 WD TL	
1-5	161444	BACK UPH TA EXO 15 WD XT	
1-5	161681	BACK UPH TA EXO 16 WD XS	
1-5	161682	BACK UPH TA EXO 16 WD SM	
1-5	161683	BACK UPH TA EXO 16 WD MD	
1-5	161445	BACK UPH TA EXO 16 WD TL	
1-5	161446	BACK UPH TA EXO 16 WD XT	
1-5	161684	BACK UPH TA EXO 17 WD XS	

Pos.	Item Number	Description	Remarks
1-5	161685	BACK UPH TA EXO 17 WD SM	
1-5	161686	BACK UPH TA EXO 17 WD MD	
1-5	161447	BACK UPH TA EXO 17 WD TL	
1-5	161448	BACK UPH TA EXO 17 WD XT	
1-5	161687	BACK UPH TA EXO 18 WD XS	
1-5	161688	BACK UPH TA EXO 18 WD SM	
1-5	161689	BACK UPH TA EXO 18 WD MD	
1-5	161449	BACK UPH TA EXO 18 WD TL	
1-5	161450	BACK UPH TA EXO 18 WD XT	
1-5	161690	BACK UPH TA EXO 19 WD XS	
1-5	161691	BACK UPH TA EXO 19 WD SM	
1-5	161692	BACK UPH TA EXO 19 WD MD	
1-5	161451	BACK UPH TA EXO 19 WD TL	
1-5	161452	BACK UPH TA EXO 19 WD XT	
1-5	161693	BACK UPH TA EXO 20 WD XS	
1-5	161694	BACK UPH TA EXO 20 WD SM	
1-5	161695	BACK UPH TA EXO 20 WD MD	
1-5	161453	BACK UPH TA EXO 20 WD TL	
1-5	161454	BACK UPH TA EXO 20 WD XT	
1-5	161706	BACK UPH TA EXO 12 WD XS ORNG	
1-5	161707	BACK UPH TA EXO 12 WD SM ORNG	
1-5	161708	BACK UPH TA EXO 12 WD MD ORNG	
1-5	161709	BACK UPH TA EXO 12 WD TL ORNG	
1-5	161710	BACK UPH TA EXO 12 WD XT ORNG	
1-5	161711	BACK UPH TA EXO 13 WD XS ORNG	
1-5	161712	BACK UPH TA EXO 13 WD SM ORNG	
1-5	161713	BACK UPH TA EXO 13 WD MD ORNG	
1-5	161714	BACK UPH TA EXO 13 WD TL ORNG	
1-5	161715	BACK UPH TA EXO 13 WD XT ORNG	
1-5	161716	BACK UPH TA EXO 14 WD XS ORNG	
1-5	161717	BACK UPH TA EXO 14 WD SM ORNG	
1-5	161718	BACK UPH TA EXO 14 WD MD ORNG	
1-5	161719	BACK UPH TA EXO 14 WD TL ORNG	
1-5	161720	BACK UPH TA EXO 14 WD XT ORNG	
1-5	161721	BACK UPH TA EXO 15 WD XS ORNG	
1-5	161722	BACK UPH TA EXO 15 WD SM ORNG	
1-5	161723	BACK UPH TA EXO 15 WD MD ORNG	
1-5	161724	BACK UPH TA EXO 15 WD TL ORNG	
1-5	161725	BACK UPH TA EXO 15 WD XT ORNG	
1-5	161726	BACK UPH TA EXO 16 WD XS ORNG	
1-5	161727	BACK UPH TA EXO 16 WD SM ORNG	
1-5	161728	BACK UPH TA EXO 16 WD MD ORNG	
1-5	161729	BACK UPH TA EXO 16 WD TL ORNG	
1-5	161730	BACK UPH TA EXO 16 WD XT ORNG	
1-5	161731	BACK UPH TA EXO 17 WD XS ORNG	
1-5	161732	BACK UPH TA EXO 17 WD SM ORNG	
1-5	161733	BACK UPH TA EXO 17 WD MD ORNG	
1-5	161734	BACK UPH TA EXO 17 WD TL ORNG	
1-5	161735	BACK UPH TA EXO 17 WD XT ORNG	
1-5	161736	BACK UPH TA EXO 18 WD XS ORNG	
1-5	161737	BACK UPH TA EXO 18 WD SM ORNG	
1-5	161738	BACK UPH TA EXO 18 WD MD ORNG	
1-5	161739	BACK UPH TA EXO 18 WD TL ORNG	
1-5	161740	BACK UPH TA EXO 18 WD XT ORNG	
1-5	161741	BACK UPH TA EXO 19 WD XS ORNG	
1-5	161742	BACK UPH TA EXO 19 WD SM ORNG	
1-5	161743	BACK UPH TA EXO 19 WD MD ORNG	

Pos.	Item Number	Description	Remarks
1-5	161744	BACK UPH TA EXO 19 WD TL ORNG	
1-5	161745	BACK UPH TA EXO 19 WD XT ORNG	
1-5	161746	BACK UPH TA EXO 20 WD XS ORNG	
1-5	161747	BACK UPH TA EXO 20 WD SM ORNG	
1-5	161748	BACK UPH TA EXO 20 WD MD ORNG	
1-5	161749	BACK UPH TA EXO 20 WD TL ORNG	
1-5	161750	BACK UPH TA EXO 20 WD XT ORNG	
1-5	161761	BACK UPH TA EXO 12 WD XS SLVR	
1-5	161762	BACK UPH TA EXO 12 WD SM SLVR	
1-5	161763	BACK UPH TA EXO 12 WD MD SLVR	
1-5	161764	BACK UPH TA EXO 12 WD TL SLVR	
1-5	161765	BACK UPH TA EXO 12 WD XT SLVR	
1-5	161766	BACK UPH TA EXO 13 WD XS SLVR	
1-5	161767	BACK UPH TA EXO 13 WD SM SLVR	
1-5	161768	BACK UPH TA EXO 13 WD MD SLVR	
1-5	161769	BACK UPH TA EXO 13 WD TL SLVR	
1-5	161770	BACK UPH TA EXO 13 WD XT SLVR	
1-5	161771	BACK UPH TA EXO 14 WD XS SLVR	
1-5	161772	BACK UPH TA EXO 14 WD SM SLVR	
1-5	161773	BACK UPH TA EXO 14 WD MD SLVR	
1-5	161774	BACK UPH TA EXO 14 WD TL SLVR	
1-5	161775	BACK UPH TA EXO 14 WD XT SLVR	
1-5	161776	BACK UPH TA EXO 15 WD XS SLVR	
1-5	161777	BACK UPH TA EXO 15 WD SM SLVR	
1-5	161778	BACK UPH TA EXO 15 WD MD SLVR	
1-5	161779	BACK UPH TA EXO 15 WD TL SLVR	
1-5	161780	BACK UPH TA EXO 15 WD XT SLVR	
1-5	161781	BACK UPH TA EXO 16 WD XS SLVR	
1-5	161782	BACK UPH TA EXO 16 WD SM SLVR	
1-5	161783	BACK UPH TA EXO 16 WD MD SLVR	
1-5	161784	BACK UPH TA EXO 16 WD TL SLVR	
1-5	161785	BACK UPH TA EXO 16 WD XT SLVR	
1-5	161786	BACK UPH TA EXO 17 WD XS SLVR	
1-5	161787	BACK UPH TA EXO 17 WD SM SLVR	
1-5	161788	BACK UPH TA EXO 17 WD MD SLVR	
1-5	161789	BACK UPH TA EXO 17 WD TL SLVR	
1-5	161790	BACK UPH TA EXO 17 WD XT SLVR	
1-5	161791	BACK UPH TA EXO 18 WD XS SLVR	
1-5	161792	BACK UPH TA EXO 18 WD SM SLVR	
1-5	161793	BACK UPH TA EXO 18 WD MD SLVR	
1-5	161794	BACK UPH TA EXO 18 WD TL SLVR	
1-5	161795	BACK UPH TA EXO 18 WD XT SLVR	
1-5	161796	BACK UPH TA EXO 19 WD XS SLVR	
1-5	161797	BACK UPH TA EXO 19 WD SM SLVR	
1-5	161798	BACK UPH TA EXO 19 WD MD SLVR	
1-5	161799	BACK UPH TA EXO 19 WD TL SLVR	
1-5	161800	BACK UPH TA EXO 19 WD XT SLVR	
1-5	161801	BACK UPH TA EXO 20 WD XS SLVR	
1-5	161802	BACK UPH TA EXO 20 WD SM SLVR	
1-5	161803	BACK UPH TA EXO 20 WD MD SLVR	
1-5	161859	BACK UPH TA EXO 20 WD TL SLVR	
1-5	161805	BACK UPH TA EXO 20 WD XT SLVR	
1-5	161816	BACK UPH TA EXO 12 WD XS BLUE	
1-5	161817	BACK UPH TA EXO 12 WD SM BLUE	
1-5	161818	BACK UPH TA EXO 12 WD MD BLUE	
1-5	161819	BACK UPH TA EXO 12 WD TL BLUE	
1-5	161820	BACK UPH TA EXO 12 WD XT BLUE	

Pos.	Item Number	Description	Remarks
1-5	161821	BACK UPH TA EXO 13 WD XS BLUE	
1-5	161822	BACK UPH TA EXO 13 WD SM BLUE	
1-5	161823	BACK UPH TA EXO 13 WD MD BLUE	
1-5	161824	BACK UPH TA EXO 13 WD TL BLUE	
1-5	161825	BACK UPH TA EXO 13 WD XT BLUE	
1-5	161826	BACK UPH TA EXO 14 WD XS BLUE	
1-5	161827	BACK UPH TA EXO 14 WD SM BLUE	
1-5	161828	BACK UPH TA EXO 14 WD MD BLUE	
1-5	161829	BACK UPH TA EXO 14 WD TL BLUE	
1-5	161830	BACK UPH TA EXO 14 WD XT BLUE	
1-5	161831	BACK UPH TA EXO 15 WD XS BLUE	
1-5	161832	BACK UPH TA EXO 15 WD SM BLUE	
1-5	161833	BACK UPH TA EXO 15 WD MD BLUE	
1-5	161834	BACK UPH TA EXO 15 WD TL BLUE	
1-5	161835	BACK UPH TA EXO 15 WD XT BLUE	
1-5	161836	BACK UPH TA EXO 16 WD XS BLUE	
1-5	161837	BACK UPH TA EXO 16 WD SM BLUE	
1-5	161838	BACK UPH TA EXO 16 WD MD BLUE	
1-5	161839	BACK UPH TA EXO 16 WD TL BLUE	
1-5	161840	BACK UPH TA EXO 16 WD XT BLUE	
1-5	161841	BACK UPH TA EXO 17 WD XS BLUE	
1-5	161842	BACK UPH TA EXO 17 WD SM BLUE	
1-5	161843	BACK UPH TA EXO 17 WD MD BLUE	
1-5	161844	BACK UPH TA EXO 17 WD TL BLUE	
1-5	161845	BACK UPH TA EXO 17 WD XT BLUE	
1-5	161846	BACK UPH TA EXO 18 WD XS BLUE	
1-5	161847	BACK UPH TA EXO 18 WD SM BLUE	
1-5	161848	BACK UPH TA EXO 18 WD MD BLUE	
1-5	161849	BACK UPH TA EXO 18 WD TL BLUE	
1-5	161850	BACK UPH TA EXO 18 WD XT BLUE	
1-5	161851	BACK UPH TA EXO 19 WD XS BLUE	
1-5	161852	BACK UPH TA EXO 19 WD SM BLUE	
1-5	161853	BACK UPH TA EXO 19 WD MD BLUE	
1-5	161854	BACK UPH TA EXO 19 WD TL BLUE	
1-5	161855	BACK UPH TA EXO 19 WD XT BLUE	
1-5	161856	BACK UPH TA EXO 20 WD XS BLUE	
1-5	161857	BACK UPH TA EXO 20 WD SM BLUE	
1-5	161858	BACK UPH TA EXO 20 WD MD BLUE	
1-5	161804	BACK UPH TA EXO 20 WD TL BLUE	
1-5	161860	BACK UPH TA EXO 20 WD XT BLUE	
1-5	161871	BACK UPH TA EXO 12 WD XS RED	
1-5	161872	BACK UPH TA EXO 12 WD SM RED	
1-5	161873	BACK UPH TA EXO 12 WD MD RED	
1-5	161874	BACK UPH TA EXO 12 WD TL RED	
1-5	161875	BACK UPH TA EXO 12 WD XT RED	
1-5	161876	BACK UPH TA EXO 13 WD XS RED	
1-5	161877	BACK UPH TA EXO 13 WD SM RED	
1-5	161878	BACK UPH TA EXO 13 WD MD RED	
1-5	161879	BACK UPH TA EXO 13 WD TL RED	
1-5	161880	BACK UPH TA EXO 13 WD XT RED	
1-5	161881	BACK UPH TA EXO 14 WD XS RED	
1-5	161882	BACK UPH TA EXO 14 WD SM RED	
1-5	161883	BACK UPH TA EXO 14 WD MD RED	
1-5	161884	BACK UPH TA EXO 14 WD TL RED	
1-5	161885	BACK UPH TA EXO 14 WD XT RED	
1-5	161886	BACK UPH TA EXO 15 WD XS RED	
1-5	161887	BACK UPH TA EXO 15 WD SM RED	

Pos.	Item Number	Description	Remarks
1-5	161888	BACK UPH TA EXO 15 WD MD RED	
1-5	161889	BACK UPH TA EXO 15 WD TL RED	
1-5	161890	BACK UPH TA EXO 15 WD XT RED	
1-5	161891	BACK UPH TA EXO 16 WD XS RED	
1-5	161892	BACK UPH TA EXO 16 WD SM RED	
1-5	161893	BACK UPH TA EXO 16 WD MD RED	
1-5	161894	BACK UPH TA EXO 16 WD TL RED	
1-5	161895	BACK UPH TA EXO 16 WD XT RED	
1-5	161896	BACK UPH TA EXO 17 WD XS RED	
1-5	161897	BACK UPH TA EXO 17 WD SM RED	
1-5	161898	BACK UPH TA EXO 17 WD MD RED	
1-5	161899	BACK UPH TA EXO 17 WD TL RED	
1-5	161900	BACK UPH TA EXO 17 WD XT RED	
1-5	161901	BACK UPH TA EXO 18 WD XS RED	
1-5	161902	BACK UPH TA EXO 18 WD SM RED	
1-5	161903	BACK UPH TA EXO 18 WD MD RED	
1-5	161904	BACK UPH TA EXO 18 WD TL RED	
1-5	161905	BACK UPH TA EXO 18 WD XT RED	
1-5	161906	BACK UPH TA EXO 19 WD XS RED	
1-5	161907	BACK UPH TA EXO 19 WD SM RED	
1-5	161908	BACK UPH TA EXO 19 WD MD RED	
1-5	161909	BACK UPH TA EXO 19 WD TL RED	
1-5	161910	BACK UPH TA EXO 19 WD XT RED	
1-5	161911	BACK UPH TA EXO 20 WD XS RED	
1-5	161912	BACK UPH TA EXO 20 WD SM RED	
1-5	161913	BACK UPH TA EXO 20 WD MD RED	
1-5	161914	BACK UPH TA EXO 20 WD TL RED	
1-5	161915	BACK UPH TA EXO 20 WD XT RED	



Pos.	Item Number	Description	Remarks
1	241275	BACK UPH EXO FLDG 14WD MD	Black
1	241276	BACK UPH EXO FLDG 14WD TL	Black
1	241277	BACK UPH EXO FLDG 15WD MD	Black
1	241278	BACK UPH EXO FLDG 15WD TL	Black
1	241279	BACK UPH EXO FLDG 16WD MD	Black
1	241280	BACK UPH EXO FLDG 16WD TL	Black
1	241281	BACK UPH EXO FLDG 17WD MD	Black
1	241282	BACK UPH EXO FLDG 17WD TL	Black
1	241283	BACK UPH EXO FLDG 18WD MD	Black
1	241284	BACK UPH EXO FLDG 18WD TL	Black
1	241285	BACK UPH EXO FLDG 19WD MD	Black
1	241286	BACK UPH EXO FLDG 19WD TL	Black
1	241287	BACK UPH EXO FLDG 20WD MD	Black
1	241288	BACK UPH EXO FLDG 20WD TL	Black
1	243650	BK UPH EXO FDG 11-12 LW BLK725	Black
1	243651	BK UPH EXO FDG 11-12 MD BLK725	Black
1	243652	BK UPH EXO FDG 11-12 TL BLK725	Black
1	243653	BK UPH EXO FDG 13W LW BLK725	Black
1	243654	BK UPH EXO FDG 13W MD BLK725	Black
1	243655	BK UPH EXO FDG 13W TL BLK725	Black
1	243656	BK UPH EXO FDG 14W LW BLK725	Black
1	243657	BK UPH EXO FDG 14W M-L BLK725	Black
1	243658	BK UPH EXO FDG 15W LW BLK725	Black
1	243659	BK UPH EXO FDG 16W LW BLK725	Black
1	243660	BK UPH EXO FDG 16W M-L BLK725	Black

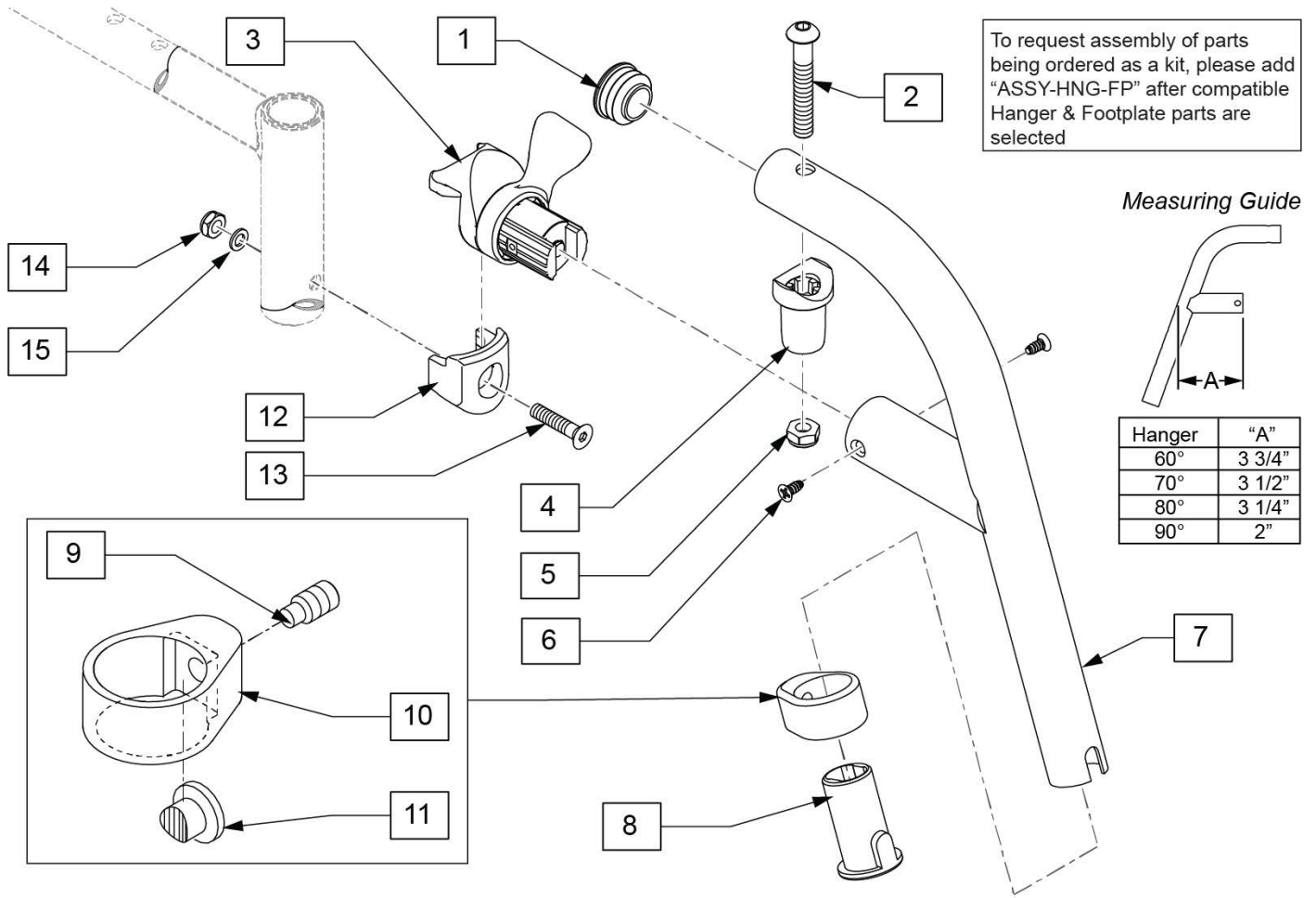


Pos.	Item Number	Description	Remarks
1	243661	BK UPH EXO FDG 17W LW BLK725	Black
1	243662	BK UPH EXO FDG 18W LW BLK725	Black
1	243663	BK UPH EXO FDG 18W M-L BLK725	Black
1	243664	BK UPH EXO FDG 19W LW BLK725	Black
1	243665	BK UPH EXO FDG 20W LW BLK725	Black
1	243666	BK UPH EXO FDG 20W M-L BLK725	Black
1	242667	BACK UPH EXO FDG 14W MD ORANGE139	
1	242668	BACK UPH EXO FDG 14W TL ORANGE139	
1	242669	BACK UPH EXO FDG 15W MD ORANGE139	
1	242670	BACK UPH EXO FDG 15W TL ORANGE139	
1	242671	BACK UPH EXO FDG 16W MD ORANGE139	
1	242672	BACK UPH EXO FDG 16W TL ORANGE139	
1	242673	BACK UPH EXO FDG 17W MD ORANGE139	
1	242674	BACK UPH EXO FDG 17W TL ORANGE139	
1	242675	BACK UPH EXO FDG 18W MD ORANGE139	
1	242676	BACK UPH EXO FDG 18W TL ORANGE139	
1	242677	BACK UPH EXO FDG 19W MD ORANGE139	
1	242678	BACK UPH EXO FDG 19W TL ORANGE139	
1	242679	BACK UPH EXO FDG 20W MD ORANGE139	
1	242680	BACK UPH EXO FDG 20W TL ORANGE139	
1	243671	BK UPH EXO FDG 13W MD ORG139	
1	243672	BK UPH EXO FDG 13W TL ORG139	
1	243673	BK UPH EXO FDG 14W LW ORG139	
1	243674	BK UPH EXO FDG 14W M-L ORG139	
1	243675	BK UPH EXO FDG 15W LW ORG139	
1	243676	BK UPH EXO FDG 16W LW ORG139	
1	243677	BK UPH EXO FDG 16W M-L ORG139	
1	243678	BK UPH EXO FDG 17W LW ORG139	
1	243679	BK UPH EXO FDG 18W LW ORG139	
1	243680	BK UPH EXO FDG 18W M-L ORG139	
1	243681	BK UPH EXO FDG 19W LW ORG139	
1	243682	BK UPH EXO FDG 20W LW ORG139	
1	243683	BK UPH EXO FDG 20W M-L ORG139	
1	242737	BACK UPH EXO FDG 14W MD SILVER 702	
1	242738	BACK UPH EXO FDG 14W TL SILVER 702	
1	242739	BACK UPH EXO FDG 15W MD SILVER 702	
1	242740	BACK UPH EXO FDG 15W TL SILVER 702	
1	242741	BACK UPH EXO FDG 16W MD SILVER 702	
1	242742	BACK UPH EXO FDG 16W TL SILVER 702	
1	242743	BACK UPH EXO FDG 17W MD SILVER 702	
1	242744	BACK UPH EXO FDG 17W TL SILVER 702	
1	242745	BACK UPH EXO FDG 18W MD SILVER 702	
1	242746	BACK UPH EXO FDG 18W TL SILVER 702	
1	242747	BACK UPH EXO FDG 19W MD SILVER 702	
1	242748	BACK UPH EXO FDG 19W TL SILVER 702	
1	242749	BACK UPH EXO FDG 20W MD SILVER 702	
1	242750	BACK UPH EXO FDG 20W TL SILVER 702	
1	243684	BK UPH EXO FDG 11-12 LW SLV702	
1	243685	BK UPH EXO FDG 11-12 MD SLV702	
1	243686	BK UPH EXO FDG 11-12 TL SLV702	
1	243687	BK UPH EXO FDG 13W LW SLV702	
1	243688	BK UPH EXO FDG 13W MD SLV702	
1	243689	BK UPH EXO FDG 13W TL SLV702	
1	243690	BK UPH EXO FDG 14W LW SLV702	
1	243691	BK UPH EXO FDG 14W M-L SLV702	
1	243692	BK UPH EXO FDG 15W LW SLV702	
1	243693	BK UPH EXO FDG 16W LW SLV702	

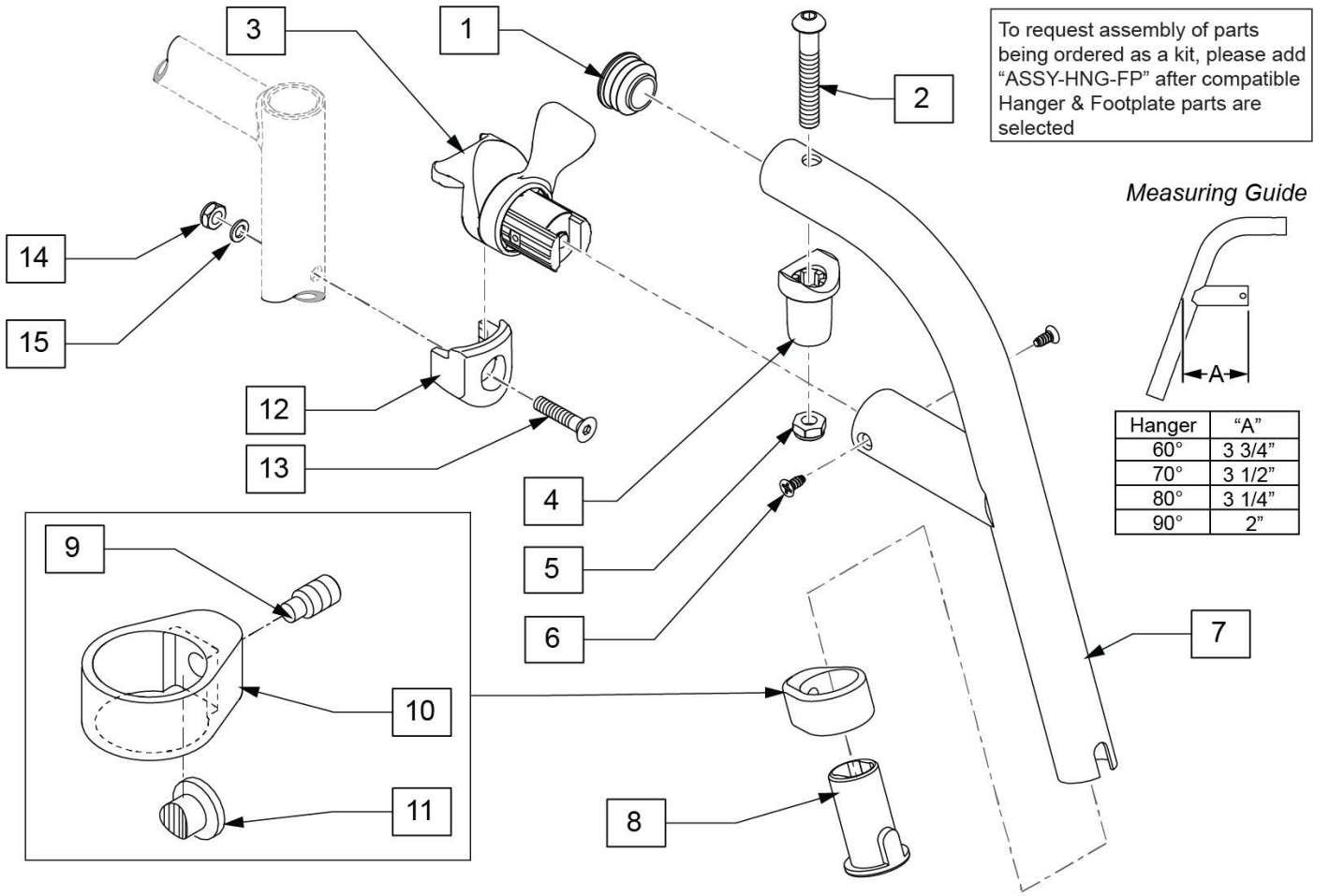
Pos.	Item Number	Description	Remarks
1	243694	BK UPH EXO FDG 16W M-L SLV702	
1	243695	BK UPH EXO FDG 17W LW SLV702	
1	243696	BK UPH EXO FDG 18W LW SLV702	
1	243697	BK UPH EXO FDG 18W M-L SLV702	
1	243698	BK UPH EXO FDG 19W LW SLV702	
1	243699	BK UPH EXO FDG 20W LW SLV702	
1	243700	BK UPH EXO FDG 20W M-L SLV702	
1	242806	BACK UPH EXO FDG 14W MD BLUE 570	
1	242807	BACK UPH EXO FDG 14W TL BLUE 570	
1	242808	BACK UPH EXO FDG 15W MD BLUE 570	
1	242809	BACK UPH EXO FDG 15W TL BLUE 570	
1	242810	BACK UPH EXO FDG 16W MD BLUE 570	
1	242811	BACK UPH EXO FDG 16W TL BLUE 570	
1	242812	BACK UPH EXO FDG 17W MD BLUE 570	
1	242813	BACK UPH EXO FDG 17W TL BLUE 570	
1	242814	BACK UPH EXO FDG 18W MD BLUE 570	
1	242815	BACK UPH EXO FDG 18W TL BLUE 570	
1	242816	BACK UPH EXO FDG 19W MD BLUE 570	
1	242817	BACK UPH EXO FDG 19W TL BLUE 570	
1	242818	BACK UPH EXO FDG 20W MD BLUE 570	
1	242819	BACK UPH EXO FDG 20W TL BLUE 570	
1	243701	BK UPH EXO FDG 11-12 LW BLU570	
1	243702	BK UPH EXO FDG 11-12 MD BLU570	
1	243703	BK UPH EXO FDG 11-12 TL BLU570	
1	243704	BK UPH EXO FDG 13W LW BLU570	
1	243705	BK UPH EXO FDG 13W MD BLU570	
1	243706	BK UPH EXO FDG 13W TL BLU570	
1	243707	BK UPH EXO FDG 14W LW BLU570	
1	243708	BK UPH EXO FDG 14W M-L BLU570	
1	243709	BK UPH EXO FDG 15W LW BLU570	
1	243710	BK UPH EXO FDG 16W LW BLU570	
1	243711	BK UPH EXO FDG 16W M-L BLU570	
1	243712	BK UPH EXO FDG 17W LW BLU570	
1	243713	BK UPH EXO FDG 18W LW BLU570	
1	243714	BK UPH EXO FDG 18W M-L BLU570	
1	243715	BK UPH EXO FDG 19W LW BLU570	
1	243716	BK UPH EXO FDG 20W LW BLU570	
1	243717	BK UPH EXO FDG 20W M-L BLU570	
1	242929	BACK UPH EXO FDG 14W MD RED 320	
1	242930	BACK UPH EXO FDG 14W TL RED 320	
1	242931	BACK UPH EXO FDG 15W MD RED 320	
1	242932	BACK UPH EXO FDG 15W TL RED 320	
1	242933	BACK UPH EXO FDG 16W MD RED 320	
1	242934	BACK UPH EXO FDG 16W TL RED 320	
1	242935	BACK UPH EXO FDG 17W MD RED 320	
1	242936	BACK UPH EXO FDG 17W TL RED 320	
1	242937	BACK UPH EXO FDG 18W MD RED 320	
1	242938	BACK UPH EXO FDG 18W TL RED 320	
1	242939	BACK UPH EXO FDG 19W MD RED 320	
1	242940	BACK UPH EXO FDG 19W TL RED 320	
1	242941	BACK UPH EXO FDG 20W MD RED 320	
1	242942	BACK UPH EXO FDG 20W TL RED 320	
1	243718	BK UPH EXO FDG 11-12 LW RED320	
1	243719	BK UPH EXO FDG 11-12 MD RED320	
1	243720	BK UPH EXO FDG 11-12 TL RED320	
1	243721	BK UPH EXO FDG 13W LW RED320	
1	243722	BK UPH EXO FDG 13W MD RED320	

Pos.	Item Number	Description	Remarks
1	243723	BK UPH EXO FDG 13W TL RED320	
1	243724	BK UPH EXO FDG 14W LW RED320	
1	243725	BK UPH EXO FDG 14W M-L RED320	
1	243726	BK UPH EXO FDG 15W LW RED320	
1	243727	BK UPH EXO FDG 16W LW RED320	
1	243728	BK UPH EXO FDG 16W M-L RED320	
1	243729	BK UPH EXO FDG 17W LW RED320	
1	243730	BK UPH EXO FDG 18W LW RED320	
1	243731	BK UPH EXO FDG 18W M-L RED320	
1	243732	BK UPH EXO FDG 19W LW RED320	
1	243733	BK UPH EXO FDG 20W LW RED320	
1	243734	BK UPH EXO FDG 20W M-L RED320	

**60 DEG SWING IN/OUT HANGER**

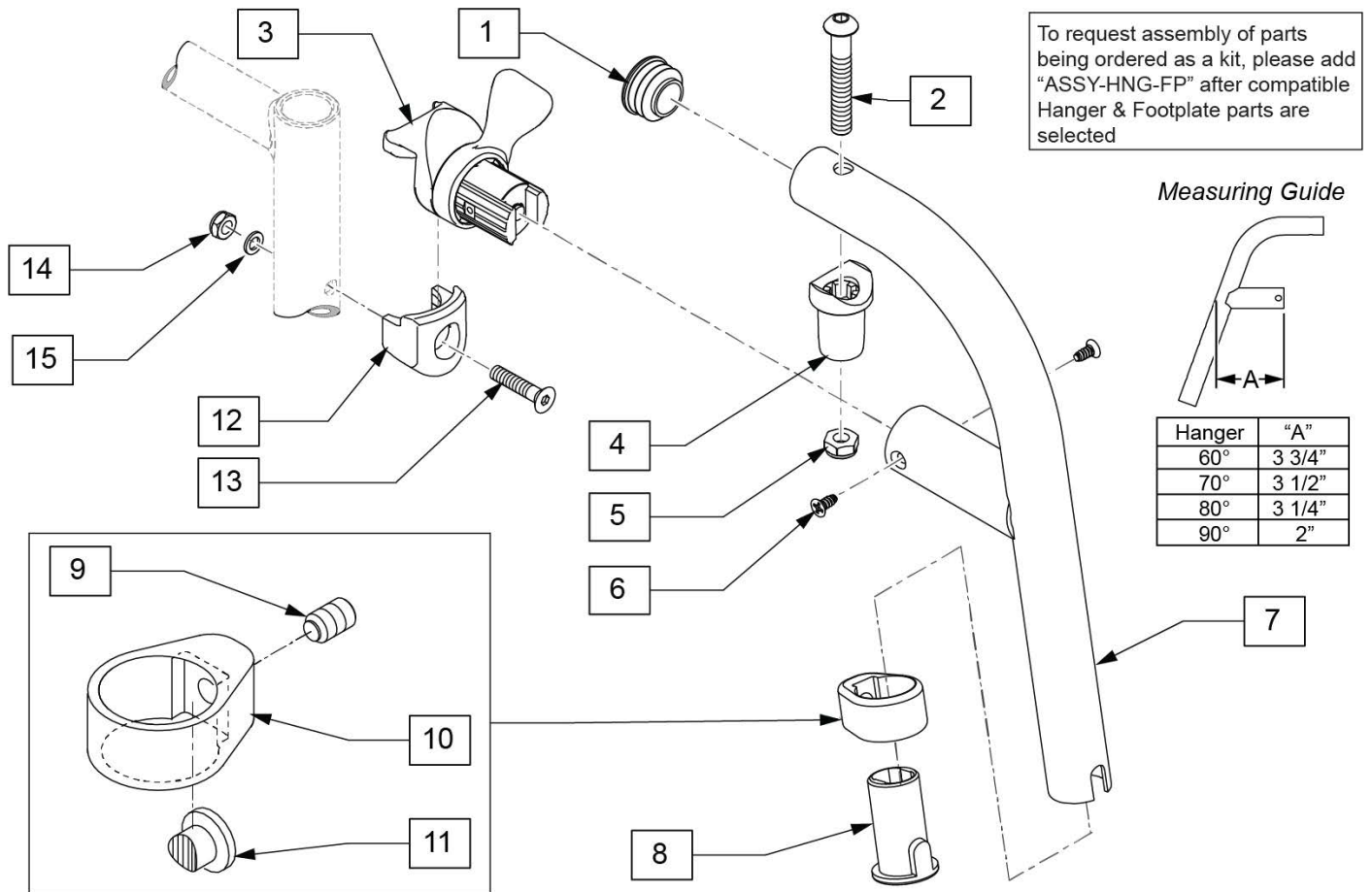


Pos.	Item Number	Description	Remarks
1	561062	1" INSERT PLUG .065 RIBS	
8	104160	BUSHING FOOTREST	
13	103500-010	FHCSM6X1X35FULLNP	
14	104381	NUT HEX NYLOCK M6X1.0	
15	104414	WAVE WASHER 6 MM	
1,2,4,5	119518	PIVOT SADDLE KIT	
3,6	119509	HANGER LATCH ASSM W/HDWR L	Left
3,6	119510	HANGER LATCH ASSM W/HDWR R	Right
1-11	122699S	60 D SWING I/O HNGR PNTD L	
1-11	122700S	60 D SWING I/O HNGR PNTD R	
8-11	107485	FOOTREST CLAMP ASSM	
12-15	119514	LATCH RECEIVER KIT	
		Ship assembled part #	Use with multiple assemblies
	ASSY-HNG-FP	HANGER/FOOTPLATE ASSY REQUIRED	add with Hanger & Footplate kit



Pos.	Item Number	Description	Remarks
1	561062	1" INSERT PLUG .065 RIBS	
8	104160	BUSHING FOOTREST	
13	103500-010	FHCSM6X1X35FULLNP	
14	104381	NUT HEX NYLOCK M6X1.0	
15	104414	WAVE WASHER 6 MM	
1,2,4,5	119518	PIVOT SADDLE KIT	
3,6	119509	HANGER LATCH ASSM W/HDWR L	Left
3,6	119510	HANGER LATCH ASSM W/HDWR R	Right
1-11	119458S	70 D SWING I/O HNGR PNTD L	Left
1-11	119459S	70 D SWING I/O HNGR PNTD R	Right
8-11	107485	FOOTREST CLAMP ASSM	
12-15	119514	LATCH RECEIVER KIT	
		Ship assembled part #	Use with multiple assemblies
	ASSY-HNG-FP	HANGER/FOOTPLATE ASSY REQUIRED	add with Hanger & Footplate kit

**80 DEG SWING IN/OUT HANGER**



Pos.	Item Number	Description	Remarks
1	561062	1" INSERT PLUG .065 RIBS	
8	104160	BUSHING FOOTREST	
13	103500-010	FHCSM6X1X35FULLNP	
14	104381	NUT HEX NYLOCK M6X1.0	
15	104414	WAVE WASHER 6 MM	
1,2,4,5	119518	PIVOT SADDLE KIT	
3,6	119509	HANGER LATCH ASSM W/HDWR L	Left
3,6	119510	HANGER LATCH ASSM W/HDWR R	Right
1-11	119466S	80 D SWING I/O HNGR PNTD L	Left
1-11	119467S	80 D SWING I/O HNGR PNTD R	Right
8-11	107485	FOOTREST CLAMP ASSM	
12-15	119514	LATCH RECEIVER KIT	
		Ship assembled part #	Use with multiple assemblies
	ASSY-HNG-FP	HANGER/FOOTPLATE ASSY REQUIRED	add with Hanger & Footplate kit

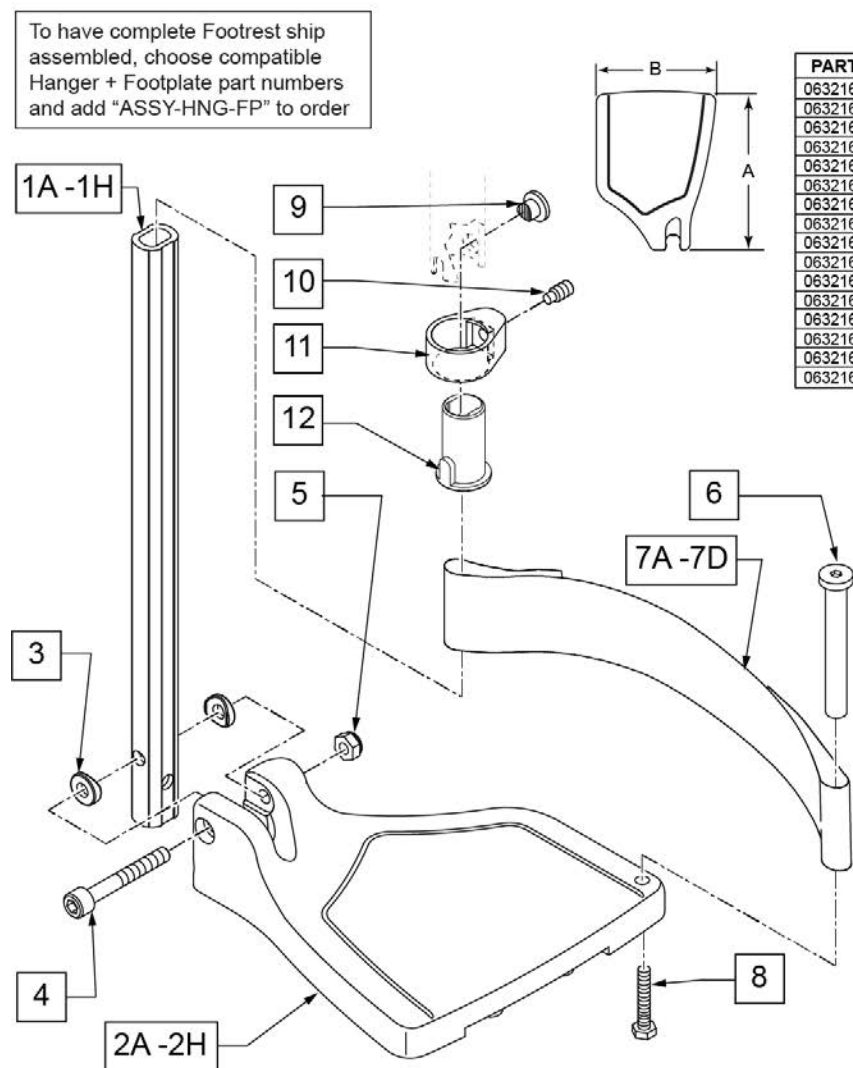
**Note:** Footplate Assemblies are set to footrest width; please see "Footplate Formula" table for seat width conversion.

Note: V Style Hangers are not available on Swing Away Style chairs effective 7/14/14; see the "Prior To" ordering guide for V Style footplate assemblies.

Note: for QX Series or SR45 footplate replacement parts see the ordering guide marked specifically for these two models in the informations panel.

**FOOTPLATE MEASURING GUIDE**

PART NO	DESCRIPTION	"A"	"B"
063216-006	FOOTPLATE COMPOSITE 157 R (13"W)	6 1/8"	6"
063216-012	FOOTPLATE COMPOSITE 157 L (13"W)	6 1/8"	6"
063216-015	FOOTPLATE COMPOSITE 170 R (14"W)	6 5/8"	6"
063216-018	FOOTPLATE COMPOSITE 170 L (14"W)	6 5/8"	6"
063216-005	FOOTPLATE COMPOSITE 182 R (15"W)	7 1/8"	6"
063216-011	FOOTPLATE COMPOSITE 182 L (15"W)	7 1/8"	6"
063216-014	FOOTPLATE COMPOSITE 195 R (16"W)	7 5/8"	6"
063216-017	FOOTPLATE COMPOSITE 195 L (16"W)	7 5/8"	6"
063216-004	FOOTPLATE COMPOSITE 207 R (17"W)	8 1/8"	6"
063216-010	FOOTPLATE COMPOSITE 207 L (17"W)	8 1/8"	6"
063216-013	FOOTPLATE COMPOSITE 220 R (18"W)	8 5/8"	6 1/4"
063216-016	FOOTPLATE COMPOSITE 220 L (18"W)	8 5/8"	6 1/4"
063216-003	FOOTPLATE COMPOSITE 232 R (19-20"W)	9 1/8"	6 1/4"
063216-009	FOOTPLATE COMPOSITE 232 L (19-20"W)	9 1/8"	6 1/4"
063216-002	FOOTPLATE COMPOSITE 257 R (21-22"W)	10 1/8"	6 1/4"
063216-008	FOOTPLATE COMPOSITE 257 L (21-22"W)	10 1/8"	6 1/4"



**INSET FORMULA**  
 0" Inset (Seat Width) = Footrest Width  
 1" Inset (Seat Width) -2" = Footrest Width  
 "V" Hanger (Seat Width) -4" = Footrest Width  
 Offset Hanger Receiver (Seat Width) +2" = Footrest Width

Pos.	Item Number	Description	Remarks
1A,3-5	120660	SHT STRT EXT COMP HDWR	80 deg hangers + ELR only
1B,3-5	120661	MED STRT EXT COMP HDWR	80 deg hangers + ELR only
1C,3-5	120662	LNG STRT EXT COMP HDWR	80 deg hangers + ELR only
1D,3-5	120663	SHT BNT EXT COMP HDWR	60,70,70 Hemi Hangers
1E,3-5	120664	MED BNT EXT COMP HDWR	60,70,70 Hemi Hangers
1F,3-5	120665	LNG BNT EXT COMP HDWR	60,70,70 Hemi Hangers

Pos.	Item Number	Description	Remarks
1G,3-5	120666	SHT V EXT R COMP HDWR	70 deg V hangers only-LEFT
1G,3-5	120667	SHT V EXT L COMP HDWR	70 deg V hangers only-RIGHT
1H,3-5	120668	LNG V EXT R COMP HDWR	70 deg V hangers only-LEFT
1H,3-5	120669	LNG V EXT L COMP HDWR	70 deg V hangers only-RIGHT
2A	063216-006	FOOTPLATE COMPOSITE 157 R	RIGHT 13" Footrest Width
2A	063216-012	FOOTPLATE COMPOSITE 157 L	LEFT 13" Footrest Width
2B	063216-015	FOOTPLATE COMPOSITE 170 R	RIGHT 14" Footrest Width
2B	063216-018	FOOTPLATE COMPOSITE 170 L	LEFT 14" Footrest Width
2C	063216-005	COMPOSITE FOOTPLATE 182 R	RIGHT 15" Footrest Width
2C	063216-011	COMPOSITE FOOTPLATE 182 L	LEFT 15" Footrest Width
2D	063216-014	FOOTPLATE COMPOSITE 195 R	RIGHT 16" Footrest Width
2D	063216-017	FOOTPLATE COMPOSITE 195 L	LEFT 16" Footrest Width
2E	063216-004	COMPOSITE FOOTPLATE 207 R	RIGHT 17" Footrest Width
2E	063216-010	COMPOSITE FOOTPLATE 207 L	LEFT 17" Footrest Width
2F	063216-013	FOOTPLATE COMPOSITE 220 R	RIGHT 18" Footrest Width
2F	063216-016	FOOTPLATE COMPOSITE 220 L	LEFT 18" Footrest Width
2G	063216-003	COMPOSITE FOOTPLATE 232 R	RIGHT 19" & 20" Footrest Width
2G	063216-009	COMPOSITE FOOTPLATE 232 L	LEFT 19" & 20" Footrest Width
2H	063216-002	FOOTPLATE COMPOSITE 257 R	RIGHT 21" & 22" Footrest Width
2H	063216-008	FOOTPLATE COMPOSITE 257 L	LEFT 21" & 22" Footrest Width
3	104377	3/4" SADDLE THIN	
4	103175	SHCS M6 X 1 X 40 INORG	
5	132626	NUT AUTOMATION M6 X 1.0	Inserted in bottom of footplate.
6	104328	HEEL LOOP PEG	
7A	104380-001	ADJUSTABLE FOOT REST STRAP	14" wide
7B	104380-002	ADJUSTABLE FOOT REST STRAP	15-16" wide
7C	104380-003	ADJUSTABLE FOOT REST STRAP	17-18" wide
7D	104380-004	ADJUSTABLE FOOT REST STRAP	19-22" wide
8	102268-001	HHCS M6 X 1 X 25	
12	104160	BUSHING FOOTREST	
9-12	107485	FOOTREST CLAMP ASSM	
		Ship assembled part #	Use with multiple assemblies
	ASSY-HNG-FP	HANGER/FOOTPLATE ASSY REQUIRED	add with Hanger & Footplate kit
>>>>		60°,70°,70° HEMI HANGERS - SHORT EXT - RIGHT	
1D,2A,3-6,7A,8	107746	COMP BNT SHT EXT ASM 13" W R	Right- 70D- 13" W- SHORT
1D,2B,3-6,7A,8	107747	COMP BNT SHT EXT ASM 14" W R	Right- 70D- 14" W- SHORT
1D,2C,3-6,7B,8	107748	COMP BNT SHT EXT ASM 15" W R	Right- 70D- 15" W- SHORT
1D,2D,3-6,7B,8	107749	COMP BNT SHT EXT ASM 16" W R	Right- 70D- 16" W- SHORT
1D,2E,3-6,7C,8	107750	COMP BNT SHT EXT ASM 17" W R	Right- 70D- 17" W- SHORT
1D,2F,3-6,7C,8	107751	COMP BNT SHT EXT ASM 18" W R	Right- 70D- 18" W- SHORT
1D,2G,3-6,7D,8	107752	COMP BNT SHT EXT ASM 19 & 20"W R	Right- 70D- 19 & 20" W- SHORT
1D,2H,3-6,7D,8	111528	COMP BNT SHT EXT ASM 21 & 22"W R	Right- 70D- 21 & 22" W- SHORT
>>>>		60°,70°,70° HEMI HANGERS - SHORT EXT - LEFT	
1D,2A,3-6,7A,8	107753	COMP BNT SHT EXT ASM 13" W L	Left- 70D- 13 W- SHORT
1D,2B,3-6,7A,8	107754	COMP BNT SHT EXT ASM 14" W L	Left- 70D- 14 W- SHORT
1D,2C,3-6,7B,8	107755	COMP BNT SHT EXT ASM 15" W L	Left- 70D- 15 W- SHORT
1D,2D,3-6,7B,8	107756	COMP BNT SHT EXT ASM 16" W L	Left- 70D- 16 W- SHORT
1D,2E,3-6,7C,8	107757	COMP BNT SHT EXT ASM 17" W L	Left- 70D- 17 W- SHORT
1D,2F,3-6,7C,8	107758	COMP BNT SHT EXT ASM 18" W L	Left- 70D- 18 W- SHORT
1D,2G,3-6,7D,8	107759	COMP BNT SHT EXT ASM 19 & 20"W L	Left- 70D- 19 & 20" W- SHORT
1D,2H,3-6,7D,8	111529	COMP BNT SHT EXT ASM 21 & 22"W L	Left- 70D- 21 & 22" W- SHORT
>>>>		60°,70°,70° HEMI HANGERS - MED EXT - RIGHT	
1E,2A,3-6,7A,8	107760	COMP BNT MED EXT ASM 13" W R	Right- 70D- 13" W- MED
1E,2B,3-6,7A,8	107761	COMP BNT MED EXT ASM 14" W R	Right- 70D- 14" W- MED
1E,2C,3-6,7B,8	107762	COMP BNT MED EXT ASM 15" W R	Right- 70D- 15" W- MED
1E,2D,3-6,7B,8	107763	COMP BNT MED EXT ASM 16" W R	Right- 70D- 16" W- MED
1E,2E,3-6,7C,8	107764	COMP BNT MED EXT ASM 17" W R	Right- 70D- 17" W- MED



Pos.	Item Number	Description	Remarks
1E,2F,3-6,7C,8	107765	COMP BNT MED EXT ASM 18" W R	Right- 70D- 18" W- MED
1E,2G,3-6,7D,8	107766	COMP BNT MED EXT ASM 19 & 20"W R	Right- 70D- 19 & 20" W- MED
1E,2H,3-6,7D,8	111530	COMP BNT MED EXT ASM 21 & 22"W R	Right- 70D- 21 & 22" W- MED
>>>>		60°,70°,70° HEMI HANGERS - MED EXT - LEFT	
1E,2A,3-6,7A,8	107767	COMP BNT MED EXT ASM 13" W L	Left- 70D- 13 W- MED
1E,2B,3-6,7A,8	107768	COMP BNT MED EXT ASM 14" W L	Left- 70D- 14 W- MED
1E,2C,3-6,7B,8	107769	COMP BNT MED EXT ASM 15" W L	Left- 70D- 15 W- MED
1E,2D,3-6,7B,8	107770	COMP BNT MED EXT ASM 16" W L	Left- 70D- 16 W- MED
1E,2E,3-6,7C,8	107771	COMP BNT MED EXT ASM 17" W L	Left- 70D- 17 W- MED
1E,2F,3-6,7C,8	107772	COMP BNT MED EXT ASM 18" W L	Left- 70D- 18 W- MED
1E,2G,3-6,7D,8	107773	COMP BNT MED EXT ASM 19 & 20"W L	Left- 70D- 19 & 20" W- MED
1E,2H,3-6,7D,8	111531	COMP BNT MED EXT ASM 21 & 22"W L	Left- 70D- 21 & 22" W- MED
>>>>		60°,70°,70° HEMI HANGERS - LONG EXT - RIGHT	
1F,2A,3-6,7A,8	107774	COMP BNT LONG EXT ASM 13" W R	Right- 70D- 13" W- LONG
1F,2B,3-6,7A,8	107775	COMP BNT LONG EXT ASM 14" W R	Right- 70D- 14" W- LONG
1F,2C,3-6,7B,8	107776	COMP BNT LONG EXT ASM 15" W R	Right- 70D- 15" W- LONG
1F,2D,3-6,7B,8	107777	COMP BNT LONG EXT ASM 16" W R	Right- 70D- 16" W- LONG
1F,2E,3-6,7C,8	107778	COMP BNT LONG EXT ASM 17" W R	Right- 70D- 17" W- LONG
1F,2F,3-6,7C,8	107779	COMP BNT LONG EXT ASM 18" W R	Right- 70D- 18" W- LONG
1F,2G,3-6,7D,8	107780	COMP BNT LONG EXT ASM 19 & 20"W R	Right- 70D- 19 & 20" W- LONG
1F,2H,3-6,7D,8	111532	COMP BNT LONG EXT ASM 21 & 22"W R	Right- 70D- 21 & 22" W- LONG
>>>>		60°,70°,70° HEMI HANGERS - LONG EXT - LEFT	
1F,2A,3-6,7A,8	107781	COMP BNT LONG EXT ASM 13" W L	Left- 70D- 13 W- LONG
1F,2B,3-6,7A,8	107782	COMP BNT LONG EXT ASM 14" W L	Left- 70D- 14 W- LONG
1F,2C,3-6,7B,8	107783	COMP BNT LONG EXT ASM 15" W L	Left- 70D- 15 W- LONG
1F,2D,3-6,7B,8	107784	COMP BNT LONG EXT ASM 16" W L	Left- 70D- 16 W- LONG
1F,2E,3-6,7C,8	107785	COMP BNT LONG EXT ASM 17" W L	Left- 70D- 17 W- LONG
1F,2F,3-6,7C,8	107786	COMP BNT LONG EXT ASM 18" W L	Left- 70D- 18 W- LONG
1F,2G,3-6,7D,8	107787	COMP BNT LONG EXT ASM 19 & 20"W L	Left- 70D- 19 & 20" W- LONG
1F,2H,3-6,7D,8	111533	COMP BNT LONG EXT ASM 21 & 22"W L	Left- 70D- 21 & 22" W- LONG
>>>>		70 DEGREE "V" HANGERS - MED EXT - RIGHT	
1G,2A,3-8	107788	COMP V MED EXT ASM 13W R	Right- 70D V hangers only 13 W- MED
1G,2B,3-8	107789	COMP V MED EXT ASM 14W R	Right- 70D V hangers only 14 W- MED
1G,2C,3-8	107790	COMP V MED EXT ASM 15W R	Right- 70D V hangers only 15 W- MED
1G,2D,3-8	107791	COMP V MED EXT ASM 16W R	Right- 70D V hangers only 16 W- MED
1G,2E,3-8	107792	COMP V MED EXT ASM 17W R	Right- 70D V hangers only 17 W- MED
1G,2F,3-8	107793	COMP V MED EXT ASM 18W R	Right- 70D V hangers only 18 W- MED
>>>>		70 DEGREE "V" HANGERS - MED EXT - LEFT	
1G,2A,3-8	107795	COMP V MED EXT ASM 13W L	Left- 70D V hangers only 13 W- MED
1G,2B,3-8	107796	COMP V MED EXT ASM 14W L	Left- 70D V hangers only 14 W- MED
1G,2C,3-8	107797	COMP V MED EXT ASM 15W L	Left- 70D V hangers only 15 W- MED
1G,2D,3-8	107798	COMP V MED EXT ASM 16W L	Left- 70D V hangers only 16 W- MED
1G,2E,3-8	107799	COMP V MED EXT ASM 17W L	Left- 70D V hangers only 17 W- MED
1G,2F,3-8	107800	COMP V MED EXT ASM 18W L	Left- 70D V hangers only 18 W- MED
>>>>		70 DEGREE "V" HANGERS - LONG EXT - RIGHT	
1H,2A,3-8	107802	COMP V LNG EXT ASM 13W R	Right- 70D V hangers only 13 W- LONG
1H,2B,3-8	107803	COMP V LNG EXT ASM 14W R	Right- 70D V hangers only 14 W- LONG
1H,2C,3-8	107804	COMP V LNG EXT ASM 15W R	Right- 70D V hangers only 15 W- LONG
1H,2D,3-8	107805	COMP V LNG EXT ASM 16W R	Right- 70D V hangers only 16 W- LONG
1H,2E,3-8	107806	COMP V LNG EXT ASM 17W R	Right- 70D V hangers only 17 W- LONG
1H,2F,3-8	107807	COMP V LNG EXT ASM 18W R	Right- 70D V hangers only 18 W- LONG
>>>>		70 DEGREE "V" HANGERS - LONG EXT - LEFT	
1H,2A,3-8	107809	COMP V LNG EXT ASM 13W L	Left- 70D V hangers only 13 W- LONG
1H,2B,3-8	107810	COMP V LNG EXT ASM 14W L	Left- 70D V hangers only 14 W- LONG
1H,2C,3-8	107811	COMP V LNG EXT ASM 15W L	Left- 70D V hangers only 15 W- LONG
1H,2D,3-8	107812	COMP V LNG EXT ASM 16W L	Left- 70D V hangers only 16 W- LONG
1H,2E,3-8	107813	COMP V LNG EXT ASM 17W L	Left- 70D V hangers only 17 W- LONG

Pos.	Item Number	Description	Remarks
1H,2F,3-8	107814	COMP V LNG EXT ASM 18W L	Left- 70D V hangers only 18 W- LONG
>>>>		80 DEGREE HANGERS - SHORT EXT - RIGHT	
1A,2A,3-6,7A,8	107704	COMP STRT SHT EXT ASM 13"W R	Right- 80D- 13" W- SHORT
1A,2B,3-6,7A,8	107705	COMP STRT SHT EXT ASM 14"W R	Right- 80D- 14" W- SHORT
1A,2C,3-6,7B,8	107706	COMP STRT SHT EXT ASM 15"W R	Right- 80D- 15" W- SHORT
1A,2D,3-6,7B,8	107707	COMP STRT SHT EXT ASM 16"W R	Right- 80D- 16" W- SHORT
1A,2E,3-6,7C,8	107708	COMP STRT SHT EXT ASM 17"W R	Right- 80D- 17" W- SHORT
1A,2F,3-6,7C,8	107709	COMP STRT SHT EXT ASM 18"W R	Right- 80D- 18" W- SHORT
1A,2G,3-6,7D,8	107710	COMP STRT SHT EXT ASM 19 & 20"W R	Right- 80D- 19 & 20" W- SHORT
1A,2H,3-6,7D,8	111522	COMP STRT SHT EXT ASM 21 & 22"W R	Right- 80D- 21 & 22" W- SHORT
>>>>		80 DEGREE HANGERS - SHORT EXT - LEFT	
1A,2A,3-6,7A,8	107711	COMP STRT SHT EXT ASM 13"W L	LEFT- 80D- 13" W- SHORT
1A,2B,3-6,7A,8	107712	COMP STRT SHT EXT ASM 14"W L	LEFT- 80D- 14" W- SHORT
1A,2C,3-6,7B,8	107713	COMP STRT SHT EXT ASM 15"W L	LEFT- 80D- 15" W- SHORT
1A,2D,3-6,7B,8	107714	COMP STRT SHT EXT ASM 16"W L	LEFT- 80D- 16" W- SHORT
1A,2E,3-6,7C,8	107715	COMP STRT SHT EXT ASM 17"W L	LEFT- 80D- 17" W- SHORT
1A,2F,3-6,7C,8	107716	COMP STRT SHT EXT ASM 18"W L	LEFT- 80D- 18" W- SHORT
1A,2G,3-6,7D,8	107717	COMP STRT SHT EXT ASM 19 & 20"W L	LEFT- 80D- 19 & 20" W- SHORT
1A,2H,3-6,7D,8	111523	COMP STRT SHT EXT ASM 21 & 22"W L	LEFT- 80D- 21 & 22" W- SHORT
>>>>		80 DEGREE HANGERS - MED EXT - RIGHT	
1B,2A,3-6,7A,8	107718	COMP STRT MED EXT ASM 13"W R	Right- 80D- 13" W- MED
1B,2B,3-6,7A,8	107719	COMP STRT MED EXT ASM 14"W R	Right- 80D- 14" W- MED
1B,2C,3-6,7B,8	107720	COMP STRT MED EXT ASM 15"W R	Right- 80D- 15" W- MED
1B,2D,3-6,7B,8	107721	COMP STRT MED EXT ASM 16"W R	Right- 80D- 16" W- MED
1B,2E,3-6,7C,8	107722	COMP STRT MED EXT ASM 17"W R	Right- 80D- 17" W- MED
1B,2F,3-6,7C,8	107723	COMP STRT MED EXT ASM 18"W R	Right- 80D- 18" W- MED
1B,2G,3-6,7D,8	107724	COMP STRT MED EXT ASM 19 & 20"W R	Right- 80D- 19 & 20" W- MED
1B,2H,3-6,7D,8	111524	COMP STRT MED EXT ASM 21 & 22"W R	Right- 80D- 21 & 22" W- MED
>>>>		80 DEGREE HANGERS - MED EXT - LEFT	
1B,2A,3-6,7A,8	107725	COMP STRT MED EXT ASM 13"W L	LEFT- 80D- 13" W- MED
1B,2B,3-6,7A,8	107726	COMP STRT MED EXT ASM 14"W L	LEFT- 80D- 14" W- MED
1B,2C,3-6,7B,8	107727	COMP STRT MED EXT ASM 15"W L	LEFT- 80D- 15" W- MED
1B,2D,3-6,7B,8	107728	COMP STRT MED EXT ASM 16"W L	LEFT- 80D- 16" W- MED
1B,2E,3-6,7C,8	107729	COMP STRT MED EXT ASM 17"W L	LEFT- 80D- 17" W- MED
1B,2F,3-6,7C,8	107730	COMP STRT MED EXT ASM 18"W L	LEFT- 80D- 18" W- MED
1B,2G,3-6,7D,8	107731	COMP STRT MED EXT ASM 19 & 20"W L	LEFT- 80D- 19 & 20" W- MED
1B,2H,3-6,7D,8	111525	COMP STRT MED EXT ASM 21 & 22"W L	LEFT- 80D- 21 & 22" W- MED
>>>>		80 DEGREE HANGERS - LONG EXT - RIGHT	
1C,2A,3-6,7A,8	107732	COMP STRT LONG EXT ASM 13"W R	Right- 80D- 13" W- LONG
1C,2B,3-6,7A,8	107733	COMP STRT LONG EXT ASM 14"W R	Right- 80D- 14" W- LONG
1C,2C,3-6,7B,8	107734	COMP STRT LONG EXT ASM 15"W R	Right- 80D- 15" W- LONG
1C,2D,3-6,7B,8	107735	COMP STRT LONG EXT ASM 16"W R	Right- 80D- 16" W- LONG
1C,2E,3-6,7C,8	107736	COMP STRT LONG EXT ASM 17"W R	Right- 80D- 17" W- LONG
1C,2F,3-6,7C,8	107737	COMP STRT LONG EXT ASM 18"W R	Right- 80D- 18" W- LONG
1C,2G,3-6,7D,8	107738	COMP STRT LONG EXT ASM 19 & 20"W R	Right- 80D- 19 & 20" W- LONG
1C,2H,3-6,7D,8	111526	COMP STRT LONG EXT ASM 21 & 22"W R	Right- 80D- 21 & 22" W- LONG
>>>>		80 DEGREE HANGERS - LONG EXT - LEFT	
1C,2A,3-6,7A,8	107739	COMP STRT LONG EXT ASM 13"W L	LEFT- 80D- 13" W- LONG
1C,2B,3-6,7A,8	107740	COMP STRT LONG EXT ASM 14"W L	LEFT- 80D- 14" W- LONG
1C,2C,3-6,7B,8	107741	COMP STRT LONG EXT ASM 15"W L	LEFT- 80D- 15" W- LONG
1C,2D,3-6,7B,8	107742	COMP STRT LONG EXT ASM 16"W L	LEFT- 80D- 16" W- LONG
1C,2E,3-6,7C,8	107743	COMP STRT LONG EXT ASM 17"W L	LEFT- 80D- 17" W- LONG
1C,2F,3-6,7C,8	107744	COMP STRT LONG EXT ASM 18"W L	LEFT- 80D- 18" W- LONG
1C,2G,3-6,7D,8	107745	COMP STRT LONG EXT ASM 19 & 20"W L	LEFT- 80D- 19 & 20" W- LONG
1C,2H,3-6,7D,8	111527	COMP STRT LONG EXT ASM 21 & 22"W L	LEFT- 80D- 21 & 22" W- LONG

**Note:** Footplate Assemblies are set to footrest width; please see "Footplate Formula" table for seat width conversion.

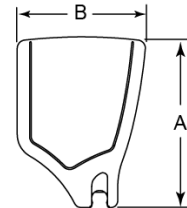
Note: If using Short Ext Tube & Hemi Hanger with Composite Angle Adjustable Footplate use 1D (straight) .

Note: V Style Hangers are not available on Swing Away Style chairs effective 7/14/14; see the "Prior To" ordering guide for V Style footplate assemblies.

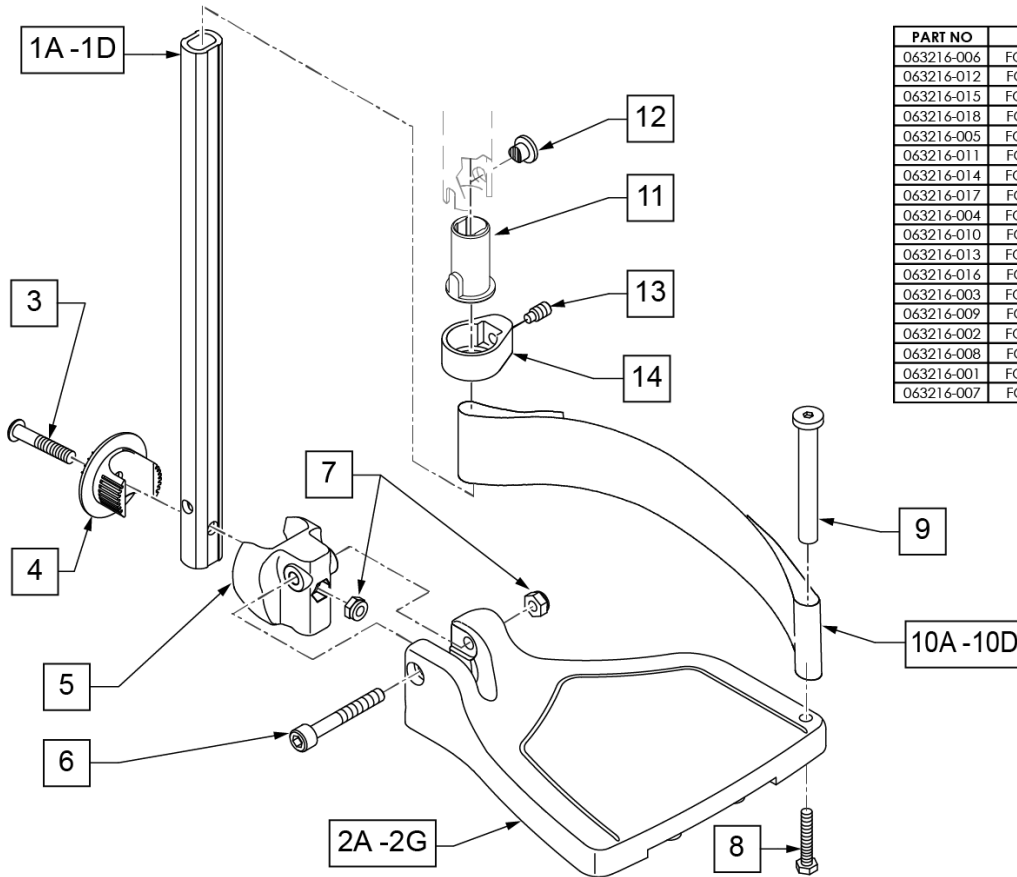
To have complete Footrest ship assembled, choose compatible Hanger + Footplate part numbers and add "ASSY-HNG-FP" to order

**ADD INSET FORMULA**  
 0" Inset (Seat Width) = Footrest Width  
 1" Inset (Seat Width) -2" = Footrest Width  
 2" Inset (Seat Width) -4" = Footrest Width  
 "V" Hanger (Seat Width) -4" = Footrest Width  
 Offset Hanger Receiver (Seat Width) +2" = Footrest Width  
 Flared Frame (Seat Width) = 2" = Footrest Width

**FOOTPLATE MEASURING GUIDE**



PART NO	DESCRIPTION	DIM -A-	DIM -B-
063216-006	FOOTPLATE COMPOSITE 157 R	6 1/8"	6"
063216-012	FOOTPLATE COMPOSITE 157 L	6 1/8"	6"
063216-015	FOOTPLATE COMPOSITE 170 R	6 5/8"	6"
063216-018	FOOTPLATE COMPOSITE 170 L	6 5/8"	6"
063216-005	FOOTPLATE COMPOSITE 182 R	7 1/8"	6"
063216-011	FOOTPLATE COMPOSITE 182 L	7 1/8"	6"
063216-014	FOOTPLATE COMPOSITE 195 R	7 5/8"	6"
063216-017	FOOTPLATE COMPOSITE 195 L	7 5/8"	6"
063216-004	FOOTPLATE COMPOSITE 207 R	8 1/8"	6"
063216-010	FOOTPLATE COMPOSITE 207 L	8 1/8"	6"
063216-013	FOOTPLATE COMPOSITE 220 R	8 5/8"	6 1/4"
063216-016	FOOTPLATE COMPOSITE 220 L	8 5/8"	6 1/4"
063216-003	FOOTPLATE COMPOSITE 232 R	9 1/8"	6 1/4"
063216-009	FOOTPLATE COMPOSITE 232 L	9 1/8"	6 1/4"
063216-002	FOOTPLATE COMPOSITE 257 R	10 1/8"	6 1/4"
063216-008	FOOTPLATE COMPOSITE 257 L	10 1/8"	6 1/4"
063216-001	FOOTPLATE COMPOSITE 282 R	11 1/8"	6 1/4"
063216-007	FOOTPLATE COMPOSITE 282 L	11 1/8"	6 1/4"



Pos.	Item Number	Description	Remarks
1A,6,7	120660	SHT STRT EXT COMP HDWR	
1B,6,7	120661	MED STRT EXT COMP HDWR	
1C,6,7	120662	LNG STRT EXT COMP HDWR	
1D	128079	TUBE FTRST EXT STRGHT SHT HEMI	Use for Hemi Ext Tube option
2A	063216-006	COMPOSITE FOOTPLATE RIGHT	RIGHT 15" Footrest Width

Pos.	Item Number	Description	Remarks
2A	063216-012	COMPOSITE FOOTPLATE LEFT	LEFT 15" Footrest Width
2B	063216-015	COMPOSITE FOOTPLATE RIGHT	RIGHT 16" Footrest Width
2B	063216-018	COMPOSITE FOOTPLATE LEFT	LEFT 16" Footrest Width
2C	063216-005	COMPOSITE FOOTPLATE RIGHT	RIGHT 17" Footrest Width
2C	063216-011	COMPOSITE FOOTPLATE LEFT	LEFT 17" Footrest Width
2D	063216-014	COMPOSITE FOOTPLATE RIGHT	RIGHT 18" Footrest Width
2D	063216-017	COMPOSITE FOOTPLATE LEFT	LEFT 18" Footrest Width
2E	063216-004	COMPOSITE FOOTPLATE RIGHT	RIGHT 19" Footrest Width
2E	063216-010	COMPOSITE FOOTPLATE LEFT	LEFT 19" Footrest Width
2F	063216-013	COMPOSITE FOOTPLATE RIGHT	RIGHT 20" Footrest Width
2F	063216-016	COMPOSITE FOOTPLATE LEFT	LEFT 20" Footrest Width
2G	063216-003	COMPOSITE FOOTPLATE RIGHT	RIGHT 21" & 22" Footrest Width
2G	063216-009	COMPOSITE FOOTPLATE LEFT	LEFT 21" & 22" Footrest Width
3	108233	BHCS M6 X 1 X 40	
4	054242	ANGLE COVER	
5	054241	ANGLE SEGMENT	
6	103175	SHCS M6 X 1 X 40 INORG	
7	132626	NUT AUTOMATION M6 X 1.0	
8	102268-001	HHCS M6X1X25	Inserted in bottom of footplate.
9	104328	HEEL LOOP PEG	
10A	104380-001	ADJUSTABLE FOOT REST STRAP	15" Footrest Width
10B	104380-002	ADJUSTABLE FOOT REST STRAP	16" Footrest Width
10C	104380-003	ADJUSTABLE FOOT REST STRAP	17-18" Footrest Width
10D	104380-004	ADJUSTABLE FOOT REST STRAP	19-22" Footrest Width
11	104160	BUSHING FOOTREST	
11-14	107485	FOOTREST CLAMP ASSM	
>>>>		60,70,80 HANGERS - SHORT EXT - RIGHT	
1A,2A,3-10A	107816	CAA STRT SHT EXT ASM 15W R	Right- 15 W- SHORT
1A,2B,3-10B	107817	CAA STRT SHT EXT ASM 16W R	Right- 16 W- SHORT
1A,2C,3-10B	107818	CAA STRT SHT EXT ASM 17W R	Right- 17 W- SHORT
1A,2D,3-10C	107819	CAA STRT SHT EXT ASM 18W R	Right- 18 W- SHORT
1A,2E,3-10C	107820	CAA STRT SHT EXT ASM 19W R	Right- 19 W- SHORT
1A,2F,3-10D	107821	CAA STRT SHT EXT ASM 20W R	Right- 20 W- SHORT
1A,2G,3-10D	107822	CAA STRT SHT EXT ASM 21&22W R	Right- 21&22 W- SHORT
>>>>		60,70,80 HANGERS - SHORT EXT - LEFT	
1A,2A,3-10A	107823	CAA STRT SHT EXT ASM 15W L	Left- 15 W- SHORT
1A,2B,3-10B	107824	CAA STRT SHT EXT ASM 16W L	Left- 16 W- SHORT
1A,2C,3-10B	107825	CAA STRT SHT EXT ASM 17W L	Left- 17 W- SHORT
1A,2D,3-10C	107826	CAA STRT SHT EXT ASM 18W L	Left- 18 W- SHORT
1A,2E,3-10C	107827	CAA STRT SHT EXT ASM 19W L	Left- 19 W- SHORT
1A,2F,3-10D	107828	CAA STRT SHT EXT ASM 20W L	Left- 20 W- SHORT
1A,2G,3-10D	107829	CAA STRT SHT EXT ASM 21&22W L	Left- 21&22 W- SHORT
>>>>		60,70,80& 60,70 HEMI HANGER- RIGHT	
1B,2A,3-10A	107830	CAA STRT MED EXT ASM 15W R	Right- 15 W- MED
1B,2B,3-10B	107831	CAA STRT MED EXT ASM 16W R	Right- 16 W- MED
1B,2C,3-10B	107832	CAA STRT MED EXT ASM 17W R	Right- 17 W- MED
1B,2D,3-10C	107833	CAA STRT MED EXT ASM 18W R	Right- 18 W- MED
1B,2E,3-10C	107834	CAA STRT MED EXT ASM 19W R	Right- 19 W- MED
1B,2F,3-10D	107835	CAA STRT MED EXT ASM 20W R	Right- 20 W- MED
1B,2G,3-10D	107836	CAA STRT MED EXT ASM 21&22W R	Right- 21&22 W- MED
>>>>		60,70,80& 60,70 HEMI HANGER- LEFT	
1B,2A,3-10A	107837	CAA STRT MED EXT ASM 15W L	Left- 15 W- MED
1B,2B,3-10B	107838	CAA STRT MED EXT ASM 16W L	Left- 16 W- MED
1B,2C,3-10B	107839	CAA STRT MED EXT ASM 17W L	Left- 17 W- MED
1B,2D,3-10C	107840	CAA STRT MED EXT ASM 18W L	Left- 18 W- MED
1B,2E,3-10C	107841	CAA STRT MED EXT ASM 19W L	Left- 19 W- MED
1B,2F,3-10D	107842	CAA STRT MED EXT ASM 20W L	Left- 20 W- MED

Pos.	Item Number	Description	Remarks
1B,2G,3-10D	107843	CAA STRT MED EXT ASM 21&22W L	Left- 21&22 W- MED
>>>>		60,70,80& 60,70 HEMI HANGER- RIGHT	
1C,2A,3-10A	107844	CAA STRT LNG EXT ASM 15W R	Right- 15 W- LONG
1C,2B,3-10B	107845	CAA STRT LNG EXT ASM 16W R	Right- 16 W- LONG
1C,2C,3-10B	107846	CAA STRT LNG EXT ASM 17W R	Right- 17 W- LONG
1C,2D,3-10C	107847	CAA STRT LNG EXT ASM 18W R	Right- 18 W- LONG
1C,2E,3-10C	107848	CAA STRT LNG EXT ASM 19W R	Right- 19 W- LONG
1C,2F,3-10D	107849	CAA STRT LNG EXT ASM 20W R	Right- 20 W- LONG
1C,2G,3-10D	107850	CAA STRT LNG EXT ASM 21&22W R	Right- 21&22 W- LONG
>>>>		60,70,80& 60,70 HEMI HANGER- LEFT	
1C,2A,3-10A	107851	CAA STRT LNG EXT ASM 15W L	Left- 15 W- LONG
1C,2B,3-10B	107852	CAA STRT LNG EXT ASM 16W L	Left- 16 W- LONG
1C,2C,3-10B	107853	CAA STRT LNG EXT ASM 17W L	Left- 17 W- LONG
1C,2D,3-10C	107854	CAA STRT LNG EXT ASM 18W L	Left- 18 W- LONG
1C,2E,3-10C	107855	CAA STRT LNG EXT ASM 19W L	Left- 19 W- LONG
1C,2F,3-10D	107856	CAA STRT LNG EXT ASM 20W L	Left- 20 W- LONG
1C,2G,3-10D	107857	CAA STRT LNG EXT ASM 21&22W L	Left- 21&22 W- LONG
>>>>		60&70 HEMI HANGERS- SHORT EXT- RIGHT	
1D,2A,3-10A	129710	CAA FOOT KIT SHT HNGR 15W R	Right-Hemi-15W; add Ext behind the Hemi
1D,2B,3-10B	129712	CAA FOOT KIT SHT HNGR 16W R	Right-Hemi-16W; add Ext behind the Hemi
1D,2C,3-10B	129714	CAA FOOT KIT SHT HNGR 17W R	Right-Hemi-17W; add Ext behind the Hemi
1D,2D,3-10C	129716	CAA FOOT KIT SHT HNGR 18W R	Right-Hemi-18W; add Ext behind the Hemi
1D,2E,3-10C	129718	CAA FOOT KIT SHT HNGR 19W R	Right-Hemi-19W; add Ext behind the Hemi
1D,2F,3-10D	129720	CAA FOOT KIT SHT HNGR 20W R	Right-Hemi-20W; add Ext behind the Hemi
1D,2G,3-10D	129722	CAA FOOT KIT SHT HNGR 22W R	Right-Hemi-21&22W; add Ext behind the Hemi
>>>>		60&70 HEMI HANGERS- SHORT EXT - LEFT	
1D,2A,3-10A	129711	CAA FOOT KIT SHT HNGR 15W L	Left-Hemi-15W; add Ext behind the Hemi
1D,2B,3-10B	129713	CAA FOOT KIT SHT HNGR 16W L	Left-Hemi-16W; add Ext behind the Hemi
1D,2C,3-10B	129715	CAA FOOT KIT SHT HNGR 17W L	Left-Hemi-17W; add Ext behind the Hemi
1D,2D,3-10C	129717	CAA FOOT KIT SHT HNGR 18W L	Left-Hemi-18W; add Ext behind the Hemi
1D,2E,3-10C	129719	CAA FOOT KIT SHT HNGR 19W L	Left-Hemi-19W; add Ext behind the Hemi
1D,2F,3-10D	129721	CAA FOOT KIT SHT HNGR 20W L	Left-Hemi-20W; add Ext behind the Hemi
1D,2G,3-10D	129723	CAA FOOT KIT SHT HNGR 22W L	Left-Hemi-21&22W; add Ext behind the Hemi
		Ship assembled part #	Use with multiple assemblies
	ASSY-HNG-FP	HANGER/FOOTPLATE ASSY REQUIRED	add with Hanger & Footplate kit

**Note:** Footplate Assemblies are set to footrest width; please see "Footplate Formula" table for seat width conversion.

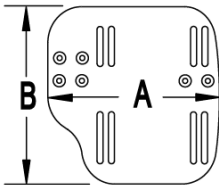
Note: V Style Hangers are not available on Swing Away Style chairs effective 7/14/14; see the "Prior To" ordering guide for V Style footplate assemblies.

Note: for QX Series or SR45 footplate replacement parts see the ordering guide marked specifically for these two models in the informations panel.

To have complete Footrest ship assembled, choose compatible Hanger + Footplate part numbers and add "ASSY-HNG-FP" to order

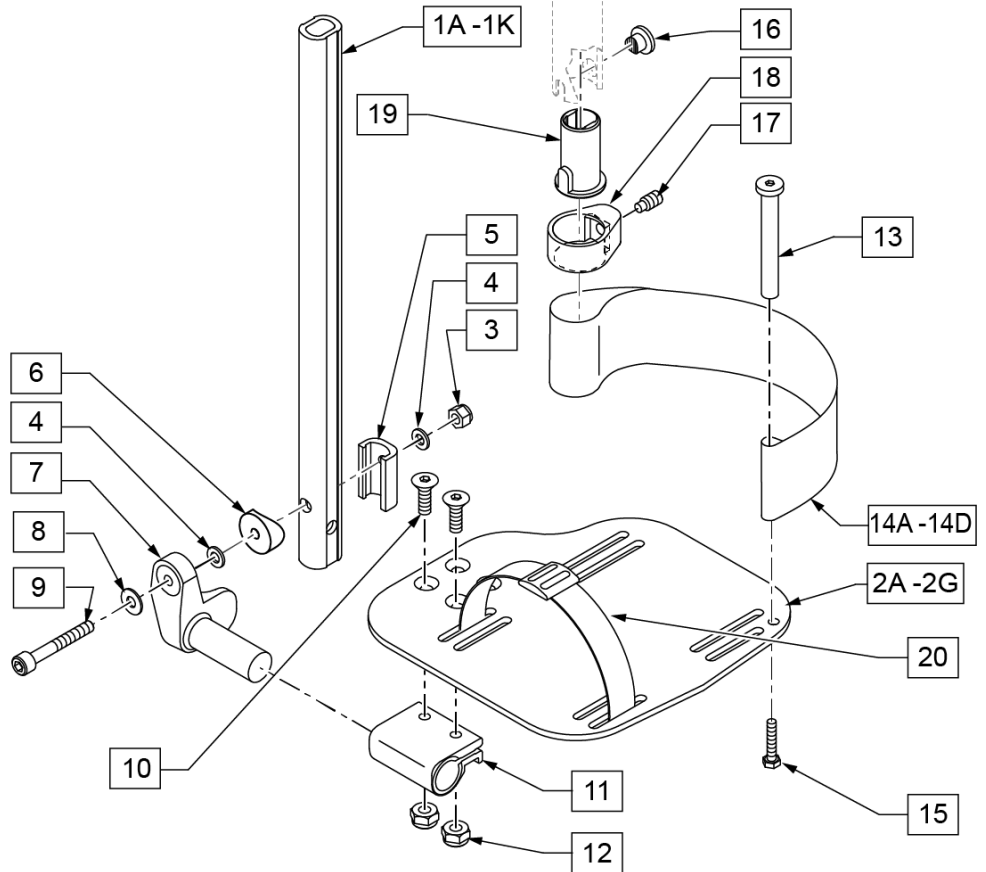
**INSET FORMULA**  
 0" Inset (Seat Width) = Footrest Width  
 1" Inset (Seat Width) -2" = Footrest Width  
 "V" Hanger (Seat Width) -4" = Footrest Width  
 Offset Hanger Receiver (Seat Width) +2" = Footrest Width

**MEASURING GUIDE**



CHAIR WIDTH	"A"	"B"
10" - 11"	3 1/2"	7 1/4"
12" - 13"	4 1/2"	7 3/4"
14" - 15"	5 1/2"	7 3/4"
16" - 17"	6 1/2"	7 3/4"
18" - 20"	7 1/2"	7 3/4"

21 EXT MNT HARDWARE 1 SIDE			
ITEM #	ILLUSTRATION	DESCRIPTION	QTY
3		NUT AUTOMATION M6 X 1.0 ROHS	1
4		WASHER FLAT THIN AN 1/4	2
5		HANGER EXTENSION SADDLE	1
6		3/4" SADDLE 1" OD	1
8		WASHER FLAT SAE 1/4 ROHS	1
9		SHCS M6 X 1 X 45 12MM PART THD	1



Pos.	Item Number	Description	Remarks
1A,3-6,8,9	120670	SHT STRT EXT AAA HDWR	80 deg Hangers Only
1B,3-6,8,9	120671	MED STRT EXT AAA HDWR	80 deg Hangers Only
1C,3-6,8,9	120672	LNG STRT EXT AAA HDWR	80 deg Hangers Only
1D,3-6,8,9	120673	SHT BNT EXT AAA HDWR	60,70,70 Hemi Hangers
1E,3-6,8,9	120674	MED BNT EXT AAA HDWR	60,70,70 Hemi Hangers

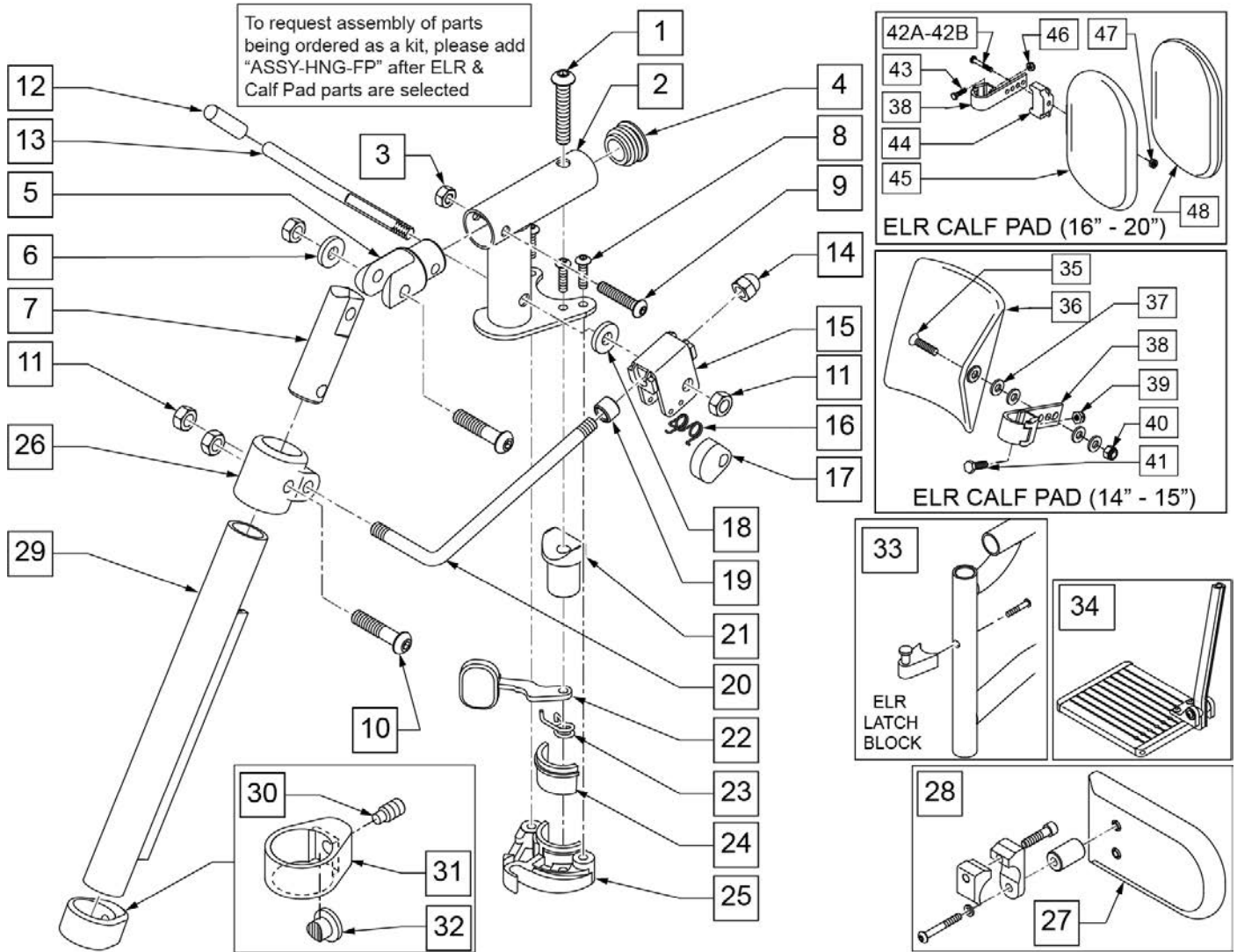
Pos.	Item Number	Description	Remarks
1F,3-6,8,9	120675	LNG BNT EXT AAA HDWR	60,70,70 Hemi Hangers
1G,3-6,8,9	120676	SHT V EXT R AAA HDWR	Left - 70 deg V Hangers Only
1H,3-6,8,9	120677	SHT V EXT L AAA HDWR	Right - 70 deg V Hangers Only
1I,3-6,8,9	120678	LNG V EXT R AAA HDWR	Left - 70 deg V Hangers Only
1J,3-6,8,9	120679	LNG V EXT L AAA HDWR	Right - 70 deg V Hangers Only
2A	500656	ADULT ANG ADJ F/PLT 10/11" R	RIGHT 10-11" Footrest Width
2A	500657	ADULT ANG ADJ F/PLT 10/11" L	LEFT 10-11" Footrest Width
2B	500658	ADULT ANG ADJ F/PLT 12/13" R	RIGHT 12-13" Footrest Width
2B	500659	ADULT ANG ADJ F/PLT 12/13" L	LEFT 12-13" Footrest Width
2C	500660	ADLT ANGL ADJ F/PLT 14/15	RIGHT 14-15" Footrest Width
2C	500661	ADLT ANGL ADJ F/PLT 14/15	LEFT 14-15" Footrest Width
2D	500662	ADLT ANGL ADJ F/PLT 16/17	RIGHT 16-17" Footrest Width
2D	500663	ADLT ANGL ADJ F/PLT 16/17	LEFT 16-17" Footrest Width
2E	500664	ADLT ANGL ADJ F/PLT 18-20	RIGHT 18-22" Footrest Width
2E	500665	ADLT ANGL ADJ F/PLT 18-20	LEFT 18-22" Footrest Width
3	132626	NUT AUTOMATION M6 X 1.0	
4	106944	WASHER FLAT THIN AN 1/4 ROHS	
5	107199	HANGER EXTENSION SADDLE	
6	104377	3/4" SADDLE THIN	
7	541002	FTRST MOUNTING BRKT-3/8 RAD R	RIGHT
7	541003	FTRST MOUNTING BRKT-3/8 RAD L	LEFT
8	106945	WASHER FLAT SAE 1/4 ROHS	
9	104399	SHCS M6X1X45 12 MM PART THD	
10	106978	FHCS 1/4-28 X 7/8 ROHS	
11	550350	3/4" CLMP ADJ FT PLT	
12	106935	NUT NYLOCK THIN 1/4-28 ROHS	
13	104328	POST HEEL LOOP	
14A	104380-001	ADJUSTABLE FOOT REST STRAP	12 - 14" WIDE
14B	104380-002	ADJUSTABLE FOOT REST STRAP	15 - 16" WIDE
14C	104380-003	ADJUSTABLE FOOT REST STRAP	17 - 18" WIDE
14D	104380-004	ADJUSTABLE FOOT REST STRAP	19 - 20" WIDE
15	102268-001	HHCS M6 X 1 X 25	
16-19	107485	FOOTREST CLAMP ASSM	
20	740260	TOE-ANKLE STRAP ADJ ADULT FOOTPLATE	
21	120659	EXT MNT HARDWARE 1 SIDE	
>>>>		80° HANGERS - SHORT EXT - RIGHT	
1A,2B,3-14A,15	111534	AAA STRT SHT EXT ASM 12-13" W R	Right- 80D- 12-13" W- SHORT
1A,2C,3-14B,15	107928	AAA STRT SHT EXT ASM 14-15" W R	Right- 80D- 14-15" W- SHORT
1A,2D,3-14C,15	107930	AAA STRT SHT EXT ASM 16-17" W R	Right- 80D- 16-17" W- SHORT
1A,2E,3-14D,15	107932	AAA STRT SHT EXT ASM 18-22" W R	Right- 80D- 18-22" W- SHORT
>>>>		80° HANGERS - SHORT EXT - LEFT	
1A,2B,3-14A,15	111535	AAA STRT SHT EXT ASM 12-13" W L	Left- 80D- 12-13" W- SHORT
1A,2C,3-14B,15	107935	AAA STRT SHT EXT ASM 14" W L	Left- 80D- 14-15" W- SHORT
1A,2D,3-14C,15	107937	AAA STRT SHT EXT ASM 16" W L	Left- 80D- 16-17" W- SHORT
1A,2E,3-14D,15	107939	AAA STRT SHT EXT ASM 18" W L	Left- 80D- 18-22" W- SHORT
>>>>		80° HANGERS - MED EXT - RIGHT	
1B,2B,3-14A,15	111536	AAA STRT MED EXT ASM 12-13" W R	Right- 80D- 12-13" W- MED
1B,2C,3-14B,15	107942	AAA STRT MED EXT ASM 14-15" W R	Right- 80D- 14-15" W- MED
1B,2D,3-14C,15	107944	AAA STRT MED EXT ASM 16-17" W R	Right- 80D- 16-17" W- MED
1B,2E,3-14D,15	107946	AAA STRT MED EXT ASM 18-22" W R	Right- 80D- 18-22" W- MED
>>>>		80° HANGERS - MED EXT - LEFT	
1B,2B,3-14A,15	111537	AAA STRT MED EXT ASM 12-13" W L	Left- 80D- 12-13" W- MED
1B,2C,3-14B,15	107949	AAA STRT MED EXT ASM 14" W L	Left- 80D- 14-15" W- MED
1B,2D,3-14C,15	107951	AAA STRT MED EXT ASM 16" W L	Left- 80D- 16-17" W- MED
1B,2E,3-14D,15	107953	AAA STRT MED EXT ASM 18" W L	Left- 80D- 18-22" W- MED
>>>>		80° HANGERS - LONG EXT - RIGHT	
1C,2B,3-14A,15	111538	AAA STRT LNG EXT ASM 12-13" W R	Right- 80D- 12-13" W- LONG

Pos.	Item Number	Description	Remarks
1C,2C,3-14B,15	107956	AAA STRT LNG EXT ASM 14 -15" W R	Right- 80D- 14-15" W- LONG
1C,2D,3-14C,15	107958	AAA STRT LNG EXT ASM 16 -17" W R	Right- 80D- 16-17" W- LONG
1C,2E,3-14D,15	107960	AAA STRT LNG EXT ASM 18 -22" W R	Right- 80D- 18-22" W- LONG
>>>>		80° HANGERS - LONG EXT - LEFT	
1C,2B,3-14A,15	111539	AAA STRT LNG EXT ASM 12-13" W L	Left- 80D- 12-13" W- LONG
1C,2C,3-14B,15	107963	AAA STRT LNG EXT ASM 14W L	Left- 80D- 14-15" W- LONG
1C,2D,3-14C,15	107965	AAA STRT LNG EXT ASM 16W L	Left- 80D- 16-17" W- LONG
1C,2E,3-14D,15	107968	AAA STRT LNG EXT ASM 18W L	Left- 80D- 18-22" W- LONG
>>>>		70° HANGERS - SHORT EXT - RIGHT	
1D,2B,3-14A,15	111540	AAA BNT SHT EXT ASM 12-13" W R	Right- 60D,70D,70D HEMI - 12-13" W- SHORT
1D,2C,3-14B,15	107973	AAA BNT SHT EXT ASM 14 -15" W R	Right- 60D,70D,70D HEMI - 14-15" W- SHORT
1D,2D,3-14C,15	107975	AAA BNT SHT EXT ASM 16 -17" W R	Right- 60D,70D,70D HEMI - 16-17" W- SHORT
1D,2E,3-14D,15	107977	AAA BNT SHT EXT ASM 18 -22" W R	Right- 60D,70D,70D HEMI - 18-22" W- SHORT
>>>>		70° HANGERS - SHORT EXT - LEFT	
1D,2B,3-14A,15	111541	AAA BNT SHT EXT ASM 12-13" W L	Left- 60D,70D,70D HEMI - 12-13" W- SHORT
1D,2C,3-14B,15	107980	AAA BNT SHT EXT ASM 14 -15" W L	Left- 60D,70D,70D HEMI - 14-15" W- SHORT
1D,2D,3-14C,15	107982	AAA BNT SHT EXT ASM 16 -17" W L	Left- 60D,70D,70D HEMI - 16-17" W- SHORT
1D,2E,3-14D,15	107984	AAA BNT SHT EXT ASM 18 -22" W L	Left- 60D,70D,70D HEMI - 18-22" W- SHORT
>>>>		70° HANGERS - MED EXT - RIGHT	
1E,2B,3-14A,15	111542	AAA BNT MED EXT ASM 12-13" W R	Right- 60D,70D,70D HEMI - 12-13" W- MED
1E,2C,3-14B,15	107987	AAA BNT MED EXT ASM 14 -15" W R	Right- 60D,70D,70D HEMI - 14-15" W- MED
1E,2D,3-14C,15	107989	AAA BNT MED EXT ASM 16 -17" W R	Right- 60D,70D,70D HEMI - 16-17" W- MED
1E,2E,3-14D,15	107991	AAA BNT MED EXT ASM 18 -22" W R	Right- 60D,70D,70D HEMI - 18-22" W- MED
>>>>		70° HANGERS - MED EXT - LEFT	
1E,2B,3-14A,15	111543	AAA BNT MED EXT ASM 12-13" W L	Left- 60D,70D,70D HEMI - 12-13" W- MED
1E,2C,3-14B,15	107994	AAA BNT MED EXT ASM 14 -15" W L	Left- 60D,70D,70D HEMI - 14-15" W- MED
1E,2D,3-14C,15	107996	AAA BNT MED EXT ASM 16 -17" W L	Left- 60D,70D,70D HEMI - 16-17" W- MED
1E,2E,3-14D,15	107998	AAA BNT MED EXT ASM 18 -22" W L	Left- 60D,70D,70D HEMI - 18-22" W- MED
>>>>		70° HANGERS - LONG EXT - RIGHT	
1F,2B,3-14A,15	111544	AAA BNT LONG EXT ASM 12-13" W R	Right- 60D,70D,70D HEMI - 12-13" W- LONG
1F,2C,3-14B,15	108001	AAA BNT LONG EXT ASM 14 -15" W R	Right- 60D,70D,70D HEMI - 14-15" W- LONG
1F,2D,3-14C,15	108003	AAA BNT LONG EXT ASM 16 -17" W R	Right- 60D,70D,70D HEMI - 16-17" W- LONG
1F,2E,3-14D,15	108005	AAA BNT LONG EXT ASM 18 -22" W R	Right- 60D,70D,70D HEMI - 18-22" W- LONG
>>>>		70° HANGERS - LONG EXT - LEFT	
1F,2B,3-14A,15	111545	AAA BNT LONG EXT ASM 12-13" W L	Left- 60D,70D,70D HEMI - 12-13" W- LONG
1F,2C,3-14B,15	108008	AAA BNT LONG EXT ASM 14 -15" W L	Left- 60D,70D,70D HEMI - 14-15" W- LONG
1F,2D,3-14C,15	108010	AAA BNT LONG EXT ASM 16 -17" W L	Left- 60D,70D,70D HEMI - 16-17" W- LONG
1F,2E,3-14D,15	108012	AAA BNT LONG EXT ASM 18 -22" W L	Left- 60D,70D,70D HEMI - 18-22" W- LONG
>>>>		70° "V" HANGERS - MED EXT - RIGHT	
1G,2A,3-15	111546	AAA V MED EXT ASM 10-11" W R	Right- 70D V hangers only 10-11" W- MED
1G,2B,3-15	111548	AAA V MED EXT ASM 12-13" W R	Right- 70D V hangers only 12-13" W- MED
1G,2C,3-15	108015	AAA V MED EXT ASM 14 -15" W R	Right- 70D V hangers only 14-15" W- MED
1G,2D,3-15	108017	AAA V MED EXT ASM 16 -17" W R	Right- 70D V hangers only 16-18" W- MED
1G,2E,3-15	108019	AAA V MED EXT ASM 18 -18" W R	Right- 70D V hangers only 18-22" W- MED
>>>>		70° "V" HANGERS - MED EXT - LEFT	
1G,2A,3-15	111547	AAA V MED EXT ASM 10-11" W L	Left- 70D V hangers only 10-11" W- MED
1G,2B,3-15	111549	AAA V MED EXT ASM 12-13" W L	Left- 70D V hangers only 12-13" W- MED
1G,2C,3-15	108022	AAA V MED EXT ASM 14 -15"W L	Left- 70D V hangers only 14-15" W- MED
1G,2D,3-15	108024	AAA V MED EXT ASM 16 -17" W L	Left- 70D V hangers only 16-18" W- MED
1G,2E,3-15	108026	AAA V MED EXT ASM 18 -22: W L	Left- 70D V hangers only 18-22" W- MED
>>>>		70° "V" HANGERS - LONG EXT - RIGHT	
1H,2A,3-15	111550	AAA V LONG EXT ASM 10-11" W R	Right- 70D V hangers only 10-11" W- LONG
1H,2B,3-15	111552	AAA V LONG EXT ASM 12-13" W R	Right- 70D V hangers only 12-13" W- LONG
1H,2C,3-15	108029	AAA V LONG EXT ASM 14 -15" W R	Right- 70D V hangers only 14-15" W- LONG
1H,2D,3-15	108031	AAA V LONG EXT ASM 16 -17" W R	Right- 70D V hangers only 16-18" W- LONG
1H,2E,3-15	108033	AAA V LONG EXT ASM 18 -22: W R	Right- 70D V hangers only 18-22" W- LONG
>>>>		70° "V" HANGERS - LONG EXT - LEFT	



<b>Pos.</b>	<b>Item Number</b>	<b>Description</b>	<b>Remarks</b>
1H,2A,3-15	111551	AAA V LONG EXT ASM 10-11" W L	Left- 70D V hangers only 10-11" W- LONG
1H,2B,3-15	111553	AAA V LONG EXT ASM 12-13" W L	Left- 70D V hangers only 12-13" W- LONG
1H,2C,3-15	108036	AAA V LONG EXT ASM 14 -15" W L	Left- 70D V hangers only 14-15" W- LONG
1H,2D,3-15	108038	AAA V LONG EXT ASM 16 -17" W L	Left- 70D V hangers only 16-18" W- LONG
1H,2E,3-15	108040	AAA V LONG EXT ASM 18 -22" W L	Left- 70D V hangers only 18-22" W- LONG
		Ship assembled part #	Use with multiple assemblies
	ASSY-HNG-FP	HANGER/FOOTPLATE ASSY REQUIRED	add with Hanger & Footplate kit

ELEVATING HANGER QXI

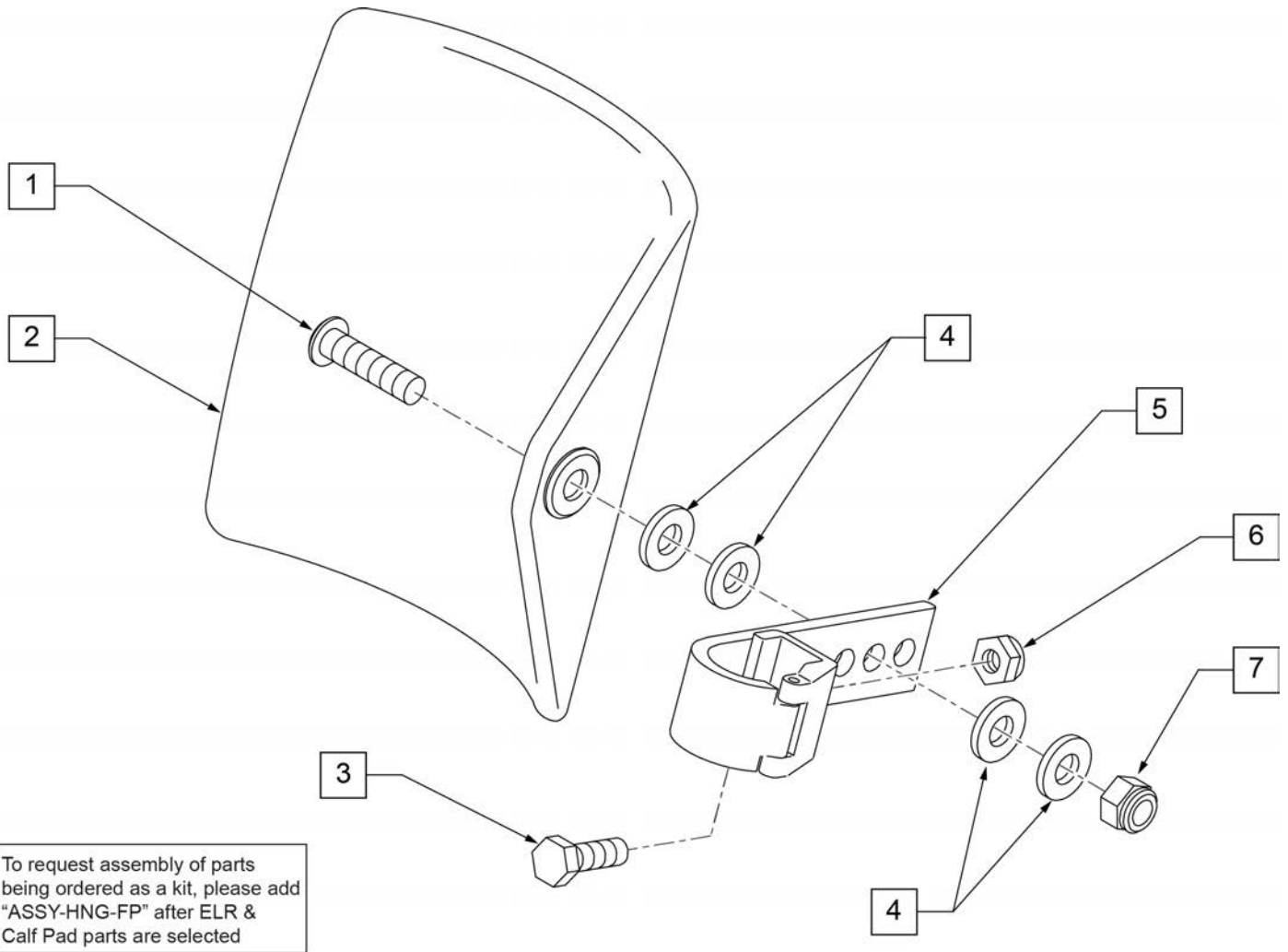


Pos.	Item Number	Description	Remarks
1	226217	5/16-18 x 2" BH C/S BLK	
3	106935	NUT NYLOCK THIN 1/4-28 ROHS	
4	561062	1" INSERT PLUG .065 RIBS	
5	505281	ELR CLEVIS	
6	263100	5/16 AN WASHER FLAT	
7	540252	ELR PIVOT PRS	
8	226057	10/24 x .725 BTTN HD SOC BZ	
9	226129	1/4-28 x 1 1/4 BH C/S	
10	226138	5/16-24 x 1 1/2 BH C/S	
11	202106	5/16-24 NYLOCK NUT THIN BLK	
12	561049	ELR RELEASE ROD COVER	
12,13	882411	ELR 90D ACTUATION ARM ASSM	
14	202109	5/16-24 ACORN NUT HEX	
15	880990	ELR LOCK HOUSING W/PIN	
16	321106	ELR TORSION SPRING	
17	481119	ELR CAM LOCKING POWDERED METAL	
18	561059	3/4 OD x .318 ID WASHER	
19	500806	HEMI ELR ADJ STOP FRONT SMALL	

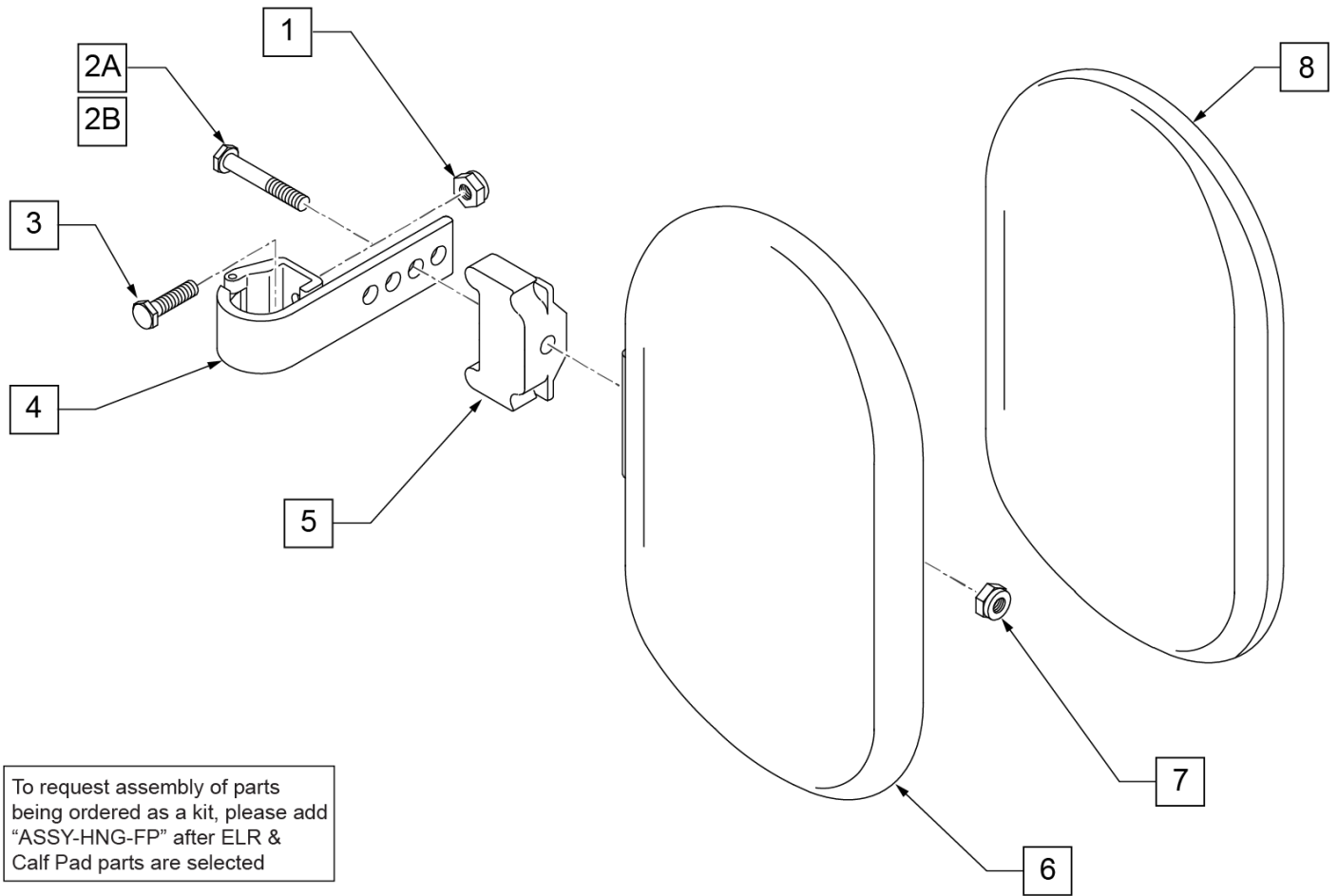
Pos.	Item Number	Description	Remarks
20	120480	ELR LOCK ROD HEMI SHORT	
21	561197	PLASTIC PIVOT SADDLE	
22	561079	S/A LATCH LEVER	
23	321136	S/A SPRING L RED	Left
23	321137	S/A SPRING R CLEAR	Right
24,25	881500	LATCH BLOCK ASSM R	
24,25	881501	LATCH BLOCK ASSM L	
26	560420	ELR UPPER PIVOT PLST	
27	750226	KNEE PAD FLAT 3H X 5L W/COVER	
28	922328	ELR HEMI KNEE PAD ASSM	
29	118060S	TUBE HANGER ELR	
30	106823	SET SCREW 3/8-24 X 3/8 FLT PT	
31	104166	CLAMP BODY FOOTREST	
32	104171	PAD LOCKING FOOTREST	
33	107491	LATCH STUD KIT	
1-9,21-25	921826	ELR PIVOT BLOCK ASSM R	
1-9,21-25	921827	ELR PIVOT BLOCK ASSM L	
1-28	120478	ELR SUB ASSM R HEMI SHORT	Std for QXI -Right, order items 29-31 separately
1-28	120479	ELR SUB ASSM L HEMI SHORT	Std for QXI -Left, order items 29-31 separately
30-32	119495	EXTENSION CLAMP KIT	
34	125620	ELR FT PLTS 14-15W SHT EXT CS	Pair-Short extension
34	125621	ELR FT PLTS 16-17W SHT EXT CS	Pair-Short extension
34	125622	ELR FT PLTS 18-20W SHT EXT CS	Pair-Short extension
34	125623	ELR FT PLTS 14-15W MED EXT CS	Pair-Med extension
34	125624	ELR FT PLTS 16-17W MED EXT CS	Pair-Med extension
34	125626	ELR FT PLTS 18-20W MED EXT CS	Pair-Med extension
34	125629	ELR FT PLTS 14-15W LNG EXT CS	Pair-Large extension
34	125631	ELR FT PLTS 16-17W LNG EXT CS	Pair-Large extension
34	125632	ELR FT PLTS 18-20W LNG EXT CS	Pair-Large extension
35	222108	5/16-18 x 1 1/4 BH C/S	
36	755014	CALF PAD TROUGH STYLE 14/16	
37	561016	1" WASHER 5/16" HOLE	
38	881413	CALF PAD BRACKET ASSM	
39	106934	1/4-28 NYLOCK NUT	
40	106937	5/16-18 NYLOCK NUT THIN	
41	221096	1/4-28 x 5/8 HEX C/S	
42A	222242	5/16-18 x 2 1/2 HEX C/S	
42B	107019	HHCS 5/16-18 x 3-1/2 ROHS	Use with item 44
43	221096	1/4-28 x 5/8 HEX C/S	
44	560199	ELR CALF HINGE SPACER	Used with 16-17 wide calf pad
45	560108	CALF PAD MOLDED 16-20"	
46	106934	1/4-28 NYLOCK NUT	
47	106936	5/16-18 NYLOCK NUT THICK	
48	751045	CALF PAD COVER NEOPRENE	
1-32,35-41	125633	ELR CS 14-15W W/O FT PLT PAIR	Pair
1-32,38,42A,43,45-48	125634	ELR CS 16-17W W/O FT PLT PAIR	Pair
1-32,38,42B-48	125635	ELR CS 18-20W W/O FT PLT PAIR	Pair
		Ship assembled part #	Use with multiple assemblies
	ASSY-HNG-FP	HANGER/FOOTPLATE ASSY REQUIRED	add with Hanger & Footplate kit

**[08/26/2019]**

NOTE: QXI chairs utilize Hemi spacing as standard for ELR hanger attachment.

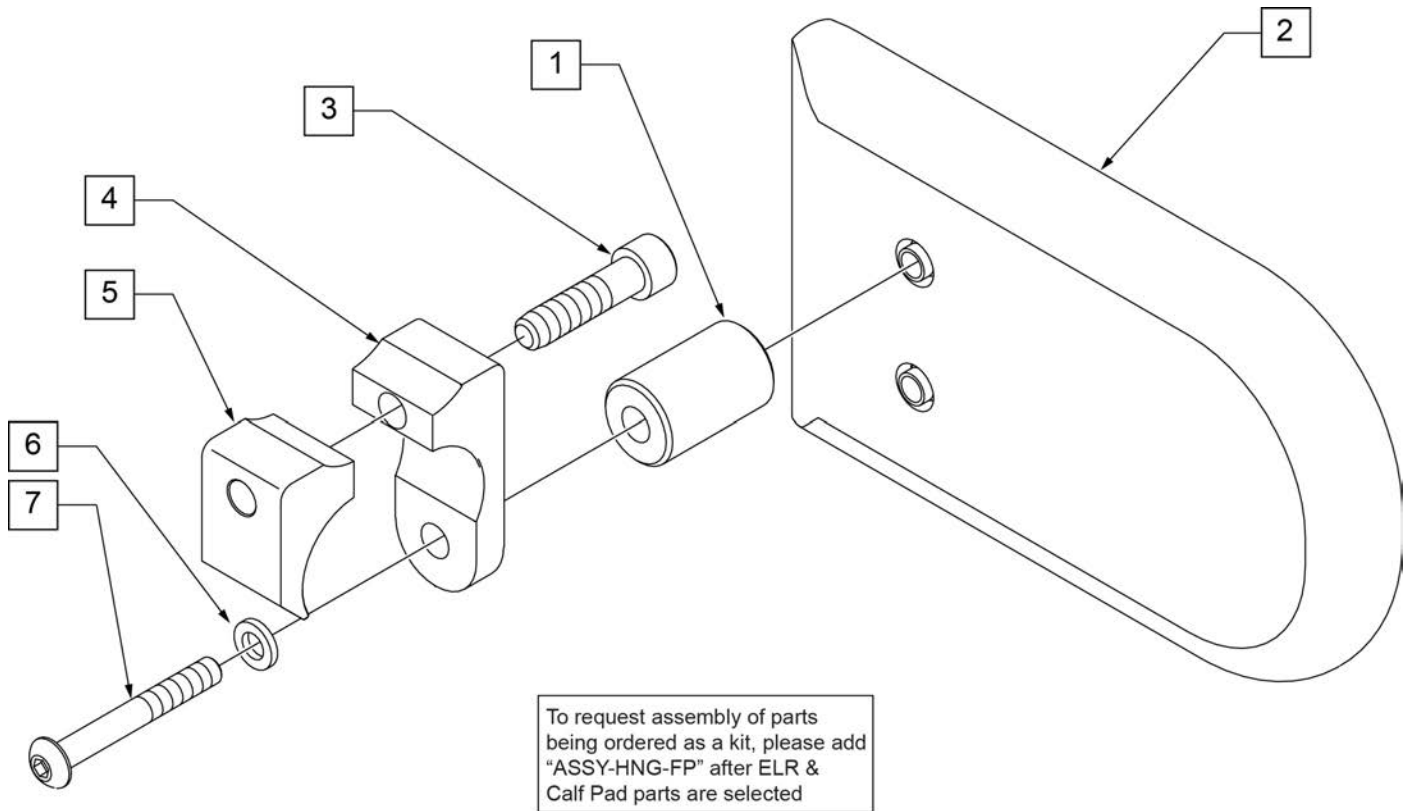


Pos.	Item Number	Description	Remarks
1	106980	BHCS 5/16-18 X 1-1/4 ROHS	
2	755014	CALF PAD TROUGH STYLE 14"/16"	
3	221097	1/4-28 X 5/8 HEX C/S BZ	
4	561016	1" WASHER 5/16" HOLE	
5	881413	CALF PAD BRACKET ASSEMBLY	
6	106934	NUT NYLOCK 1/4-28 ROHS	
7	106937	NUT NYLOCK THIN 5/16-18	
1-7	881414	CALF PAD J-HOOK 14"-15" ASSEMBLY	
		Ship assembled part #	Use with multiple assemblies
	ASSY-HNG-FP	HANGER/FOOTPLATE ASSY REQUIRED	add with Hanger & Footplate kit



To request assembly of parts being ordered as a kit, please add "ASSY-HNG-FP" after ELR & Calf Pad parts are selected

Pos.	Item Number	Description	Remarks
1	106934	NUT NYLOCK 1/4-28 ROHS	
2A	107018	HHCS 5/16-18 X 2-1/2 ROHS	16"-17" wide only
2B	107019	HHCS 5/16-18 X 3-1/2 ROHS	18"-20" wide only
3	107013	HHCS 1/4-28 X 5/8 ROHS	
4	881413	CALF PAD BRACKET ASSEMBLY	
5	560199	ELR CALF HINGE SPACER	18"-20" wide only
6	560108	CALF PAD MOLDED 16"-20"	
7	106936	NUT NYLOCK 5/16-18 ROHS	
8	751045	CALF PAD COVER	
1,2A,3,4,6-8	881416	CALF MOLDED 16"-17" ASSEMBLY	
1,2B,3-7,8	881412	CALF PAD MOLDED 18"-20" ASSEMBLY	
		Ship assembled part #	Use with multiple assemblies
	ASSY-HNG-FP	HANGER/FOOTPLATE ASSY REQUIRED	add with Hanger & Footplate kit



Pos.	Item Number	Description	Remarks
2	750226	KNEE PAD FLAT 3H X 5L W/COVER	
1-7	922328	ELR HEMI KNEE PAD ASSM	
		Ship assembled part #	Use with multiple assemblies
	ASSY-HNG-FP	HANGER/FOOTPLATE ASSY REQUIRED	add with Hanger & Footplate kit

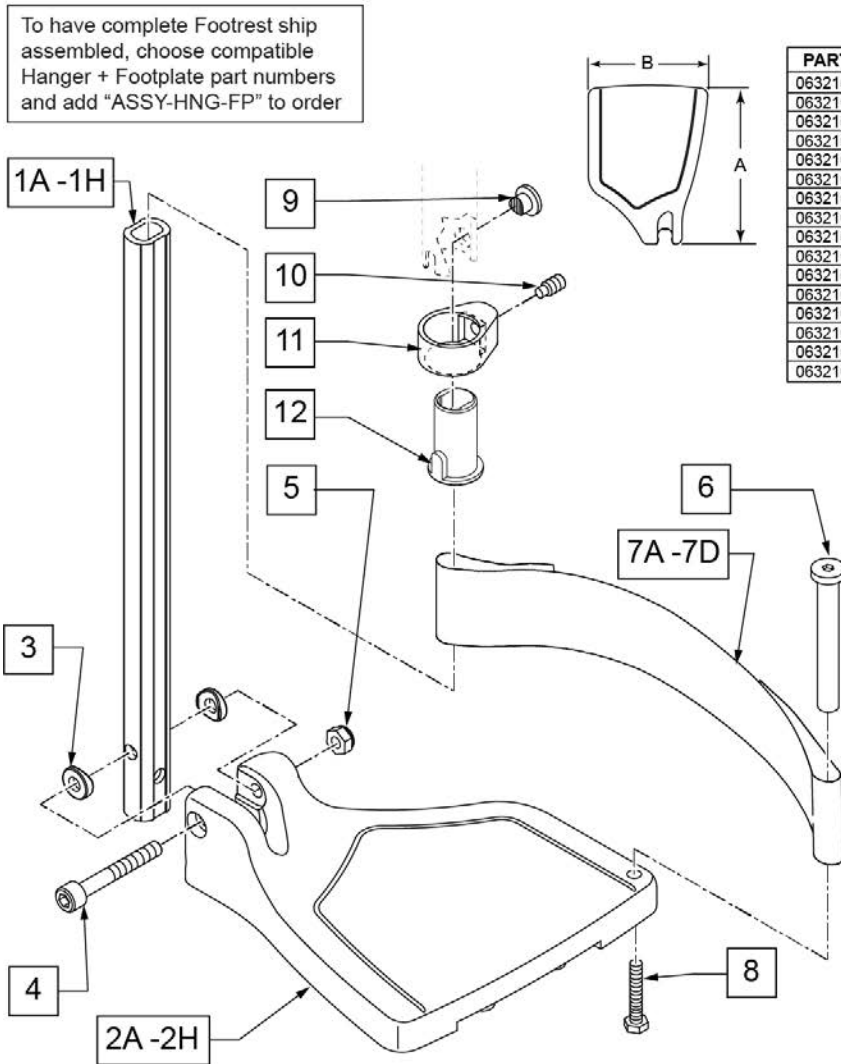
**Note:** Footplate Assemblies are set to footrest width; please see "Footplate Formula" table for seat width conversion.

Note: V Style Hangers are not available on Swing Away Style chairs effective 7/14/14; see the "Prior To" ordering guide for V Style footplate assemblies.

Note: for QX Series or SR45 footplate replacement parts see the ordering guide marked specifically for these two models in the informations panel.

**FOOTPLATE MEASURING GUIDE**

PART NO	DESCRIPTION	"A"	"B"
063216-006	FOOTPLATE COMPOSITE 157 R (13"W)	6 1/8"	6"
063216-012	FOOTPLATE COMPOSITE 157 L (13"W)	6 1/8"	6"
063216-015	FOOTPLATE COMPOSITE 170 R (14"W)	6 5/8"	6"
063216-018	FOOTPLATE COMPOSITE 170 L (14"W)	6 5/8"	6"
063216-005	FOOTPLATE COMPOSITE 182 R (15"W)	7 1/8"	6"
063216-011	FOOTPLATE COMPOSITE 182 L (15"W)	7 1/8"	6"
063216-014	FOOTPLATE COMPOSITE 195 R (16"W)	7 5/8"	6"
063216-017	FOOTPLATE COMPOSITE 195 L (16"W)	7 5/8"	6"
063216-004	FOOTPLATE COMPOSITE 207 R (17"W)	8 1/8"	6"
063216-010	FOOTPLATE COMPOSITE 207 L (17"W)	8 1/8"	6"
063216-013	FOOTPLATE COMPOSITE 220 R (18"W)	8 5/8"	6 1/4"
063216-016	FOOTPLATE COMPOSITE 220 L (18"W)	8 5/8"	6 1/4"
063216-003	FOOTPLATE COMPOSITE 232 R (19-20"W)	9 1/8"	6 1/4"
063216-009	FOOTPLATE COMPOSITE 232 L (19-20"W)	9 1/8"	6 1/4"
063216-002	FOOTPLATE COMPOSITE 257 R (21-22"W)	10 1/8"	6 1/4"
063216-008	FOOTPLATE COMPOSITE 257 L (21-22"W)	10 1/8"	6 1/4"



**INSET FORMULA**  
 0" Inset (Seat Width) = Footrest Width  
 1" Inset (Seat Width) -2" = Footrest Width  
 "V" Hanger (Seat Width) -4" = Footrest Width  
 Offset Hanger Receiver (Seat Width) +2" = Footrest Width

Pos.	Item Number	Description	Remarks
1A,3-5	120660	SHT STRT EXT COMP HDWR	80 deg hangers + ELR only
1B,3-5	120661	MED STRT EXT COMP HDWR	80 deg hangers + ELR only
1C,3-5	120662	LNG STRT EXT COMP HDWR	80 deg hangers + ELR only
1D,3-5	120663	SHT BNT EXT COMP HDWR	60,70,70 Hemi Hangers
1E,3-5	120664	MED BNT EXT COMP HDWR	60,70,70 Hemi Hangers
1F,3-5	120665	LNG BNT EXT COMP HDWR	60,70,70 Hemi Hangers



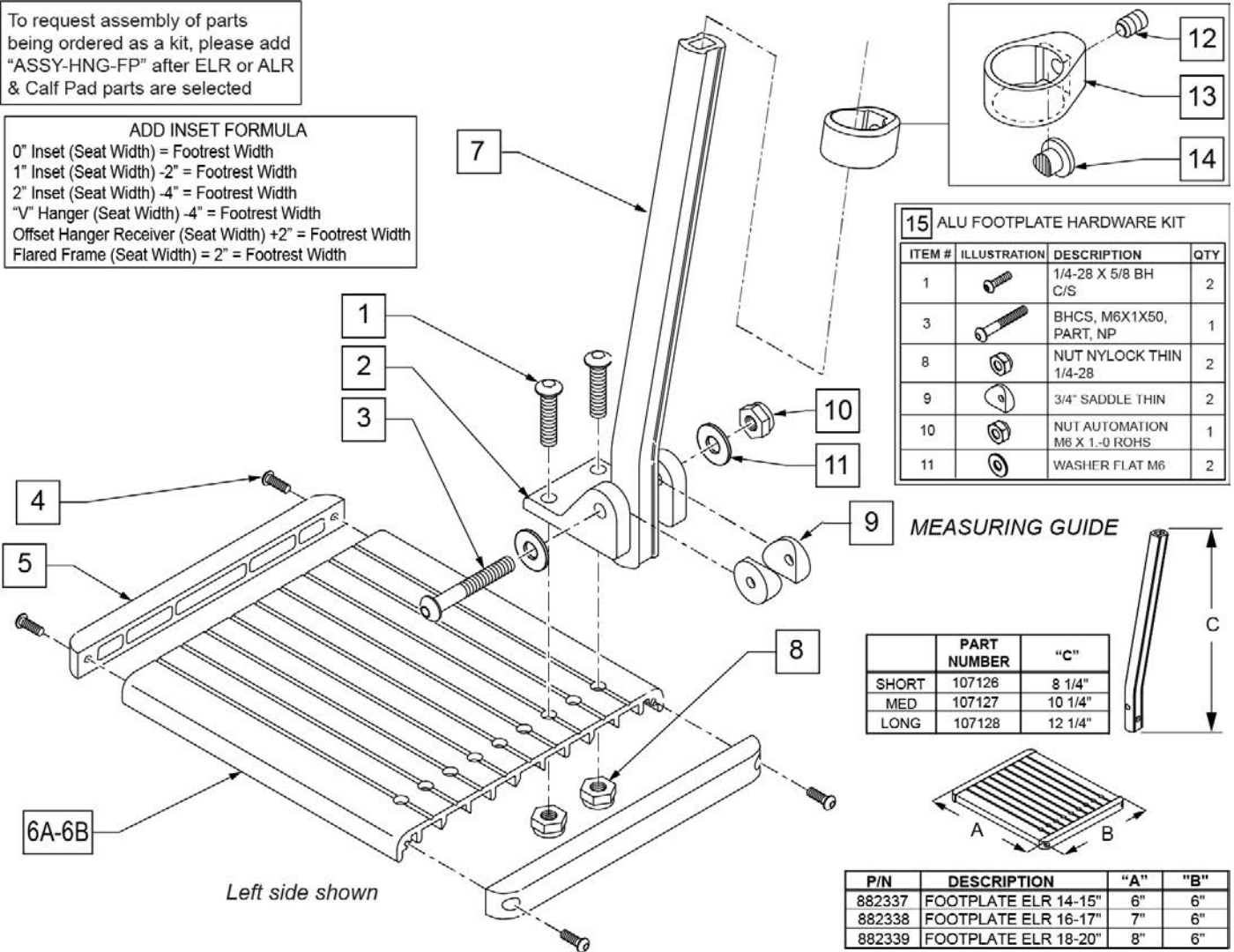
Pos.	Item Number	Description	Remarks
1G,3-5	120666	SHT V EXT R COMP HDWR	70 deg V hangers only-LEFT
1G,3-5	120667	SHT V EXT L COMP HDWR	70 deg V hangers only-RIGHT
1H,3-5	120668	LNG V EXT R COMP HDWR	70 deg V hangers only-LEFT
1H,3-5	120669	LNG V EXT L COMP HDWR	70 deg V hangers only-RIGHT
2A	063216-006	FOOTPLATE COMPOSITE 157 R	RIGHT 13" Footrest Width
2A	063216-012	FOOTPLATE COMPOSITE 157 L	LEFT 13" Footrest Width
2B	063216-015	FOOTPLATE COMPOSITE 170 R	RIGHT 14" Footrest Width
2B	063216-018	FOOTPLATE COMPOSITE 170 L	LEFT 14" Footrest Width
2C	063216-005	COMPOSITE FOOTPLATE 182 R	RIGHT 15" Footrest Width
2C	063216-011	COMPOSITE FOOTPLATE 182 L	LEFT 15" Footrest Width
2D	063216-014	FOOTPLATE COMPOSITE 195 R	RIGHT 16" Footrest Width
2D	063216-017	FOOTPLATE COMPOSITE 195 L	LEFT 16" Footrest Width
2E	063216-004	COMPOSITE FOOTPLATE 207 R	RIGHT 17" Footrest Width
2E	063216-010	COMPOSITE FOOTPLATE 207 L	LEFT 17" Footrest Width
2F	063216-013	FOOTPLATE COMPOSITE 220 R	RIGHT 18" Footrest Width
2F	063216-016	FOOTPLATE COMPOSITE 220 L	LEFT 18" Footrest Width
2G	063216-003	COMPOSITE FOOTPLATE 232 R	RIGHT 19" & 20" Footrest Width
2G	063216-009	COMPOSITE FOOTPLATE 232 L	LEFT 19" & 20" Footrest Width
2H	063216-002	FOOTPLATE COMPOSITE 257 R	RIGHT 21" & 22" Footrest Width
2H	063216-008	FOOTPLATE COMPOSITE 257 L	LEFT 21" & 22" Footrest Width
3	104377	3/4" SADDLE THIN	
4	103175	SHCS M6 X 1 X 40 INORG	
5	132626	NUT AUTOMATION M6 X 1.0	Inserted in bottom of footplate.
6	104328	HEEL LOOP PEG	
7A	104380-001	ADJUSTABLE FOOT REST STRAP	14" wide
7B	104380-002	ADJUSTABLE FOOT REST STRAP	15-16" wide
7C	104380-003	ADJUSTABLE FOOT REST STRAP	17-18" wide
7D	104380-004	ADJUSTABLE FOOT REST STRAP	19-22" wide
8	102268-001	HHCS M6 X 1 X 25	
12	104160	BUSHING FOOTREST	
9-12	107485	FOOTREST CLAMP ASSM	
		Ship assembled part #	Use with multiple assemblies
	ASSY-HNG-FP	HANGER/FOOTPLATE ASSY REQUIRED	add with Hanger & Footplate kit
>>>>		60°,70°,70° HEMI HANGERS - SHORT EXT - RIGHT	
1D,2A,3-6,7A,8	107746	COMP BNT SHT EXT ASM 13" W R	Right- 70D- 13" W- SHORT
1D,2B,3-6,7A,8	107747	COMP BNT SHT EXT ASM 14" W R	Right- 70D- 14" W- SHORT
1D,2C,3-6,7B,8	107748	COMP BNT SHT EXT ASM 15" W R	Right- 70D- 15" W- SHORT
1D,2D,3-6,7B,8	107749	COMP BNT SHT EXT ASM 16" W R	Right- 70D- 16" W- SHORT
1D,2E,3-6,7C,8	107750	COMP BNT SHT EXT ASM 17" W R	Right- 70D- 17" W- SHORT
1D,2F,3-6,7C,8	107751	COMP BNT SHT EXT ASM 18" W R	Right- 70D- 18" W- SHORT
1D,2G,3-6,7D,8	107752	COMP BNT SHT EXT ASM 19 & 20"W R	Right- 70D- 19 & 20" W- SHORT
1D,2H,3-6,7D,8	111528	COMP BNT SHT EXT ASM 21 & 22"W R	Right- 70D- 21 & 22" W- SHORT
>>>>		60°,70°,70° HEMI HANGERS - SHORT EXT - LEFT	
1D,2A,3-6,7A,8	107753	COMP BNT SHT EXT ASM 13" W L	Left- 70D- 13 W- SHORT
1D,2B,3-6,7A,8	107754	COMP BNT SHT EXT ASM 14" W L	Left- 70D- 14 W- SHORT
1D,2C,3-6,7B,8	107755	COMP BNT SHT EXT ASM 15" W L	Left- 70D- 15 W- SHORT
1D,2D,3-6,7B,8	107756	COMP BNT SHT EXT ASM 16" W L	Left- 70D- 16 W- SHORT
1D,2E,3-6,7C,8	107757	COMP BNT SHT EXT ASM 17" W L	Left- 70D- 17 W- SHORT
1D,2F,3-6,7C,8	107758	COMP BNT SHT EXT ASM 18" W L	Left- 70D- 18 W- SHORT
1D,2G,3-6,7D,8	107759	COMP BNT SHT EXT ASM 19 & 20"W L	Left- 70D- 19 & 20" W- SHORT
1D,2H,3-6,7D,8	111529	COMP BNT SHT EXT ASM 21 & 22"W L	Left- 70D- 21 & 22" W- SHORT
>>>>		60°,70°,70° HEMI HANGERS - MED EXT - RIGHT	
1E,2A,3-6,7A,8	107760	COMP BNT MED EXT ASM 13" W R	Right- 70D- 13" W- MED
1E,2B,3-6,7A,8	107761	COMP BNT MED EXT ASM 14" W R	Right- 70D- 14" W- MED
1E,2C,3-6,7B,8	107762	COMP BNT MED EXT ASM 15" W R	Right- 70D- 15" W- MED
1E,2D,3-6,7B,8	107763	COMP BNT MED EXT ASM 16" W R	Right- 70D- 16" W- MED
1E,2E,3-6,7C,8	107764	COMP BNT MED EXT ASM 17" W R	Right- 70D- 17" W- MED

Pos.	Item Number	Description	Remarks
1E,2F,3-6,7C,8	107765	COMP BNT MED EXT ASM 18" W R	Right- 70D- 18" W- MED
1E,2G,3-6,7D,8	107766	COMP BNT MED EXT ASM 19 & 20"W R	Right- 70D- 19 & 20" W- MED
1E,2H,3-6,7D,8	111530	COMP BNT MED EXT ASM 21 & 22"W R	Right- 70D- 21 & 22" W- MED
>>>>		60°,70°,70° HEMI HANGERS - MED EXT - LEFT	
1E,2A,3-6,7A,8	107767	COMP BNT MED EXT ASM 13" W L	Left- 70D- 13 W- MED
1E,2B,3-6,7A,8	107768	COMP BNT MED EXT ASM 14" W L	Left- 70D- 14 W- MED
1E,2C,3-6,7B,8	107769	COMP BNT MED EXT ASM 15" W L	Left- 70D- 15 W- MED
1E,2D,3-6,7B,8	107770	COMP BNT MED EXT ASM 16" W L	Left- 70D- 16 W- MED
1E,2E,3-6,7C,8	107771	COMP BNT MED EXT ASM 17" W L	Left- 70D- 17 W- MED
1E,2F,3-6,7C,8	107772	COMP BNT MED EXT ASM 18" W L	Left- 70D- 18 W- MED
1E,2G,3-6,7D,8	107773	COMP BNT MED EXT ASM 19 & 20"W L	Left- 70D- 19 & 20" W- MED
1E,2H,3-6,7D,8	111531	COMP BNT MED EXT ASM 21 & 22"W L	Left- 70D- 21 & 22" W- MED
>>>>		60°,70°,70° HEMI HANGERS - LONG EXT - RIGHT	
1F,2A,3-6,7A,8	107774	COMP BNT LONG EXT ASM 13" W R	Right- 70D- 13" W- LONG
1F,2B,3-6,7A,8	107775	COMP BNT LONG EXT ASM 14" W R	Right- 70D- 14" W- LONG
1F,2C,3-6,7B,8	107776	COMP BNT LONG EXT ASM 15" W R	Right- 70D- 15" W- LONG
1F,2D,3-6,7B,8	107777	COMP BNT LONG EXT ASM 16" W R	Right- 70D- 16" W- LONG
1F,2E,3-6,7C,8	107778	COMP BNT LONG EXT ASM 17" W R	Right- 70D- 17" W- LONG
1F,2F,3-6,7C,8	107779	COMP BNT LONG EXT ASM 18" W R	Right- 70D- 18" W- LONG
1F,2G,3-6,7D,8	107780	COMP BNT LONG EXT ASM 19 & 20"W R	Right- 70D- 19 & 20" W- LONG
1F,2H,3-6,7D,8	111532	COMP BNT LONG EXT ASM 21 & 22"W R	Right- 70D- 21 & 22" W- LONG
>>>>		60°,70°,70° HEMI HANGERS - LONG EXT - LEFT	
1F,2A,3-6,7A,8	107781	COMP BNT LONG EXT ASM 13" W L	Left- 70D- 13 W- LONG
1F,2B,3-6,7A,8	107782	COMP BNT LONG EXT ASM 14" W L	Left- 70D- 14 W- LONG
1F,2C,3-6,7B,8	107783	COMP BNT LONG EXT ASM 15" W L	Left- 70D- 15 W- LONG
1F,2D,3-6,7B,8	107784	COMP BNT LONG EXT ASM 16" W L	Left- 70D- 16 W- LONG
1F,2E,3-6,7C,8	107785	COMP BNT LONG EXT ASM 17" W L	Left- 70D- 17 W- LONG
1F,2F,3-6,7C,8	107786	COMP BNT LONG EXT ASM 18" W L	Left- 70D- 18 W- LONG
1F,2G,3-6,7D,8	107787	COMP BNT LONG EXT ASM 19 & 20"W L	Left- 70D- 19 & 20" W- LONG
1F,2H,3-6,7D,8	111533	COMP BNT LONG EXT ASM 21 & 22"W L	Left- 70D- 21 & 22" W- LONG
>>>>		70 DEGREE "V" HANGERS - MED EXT - RIGHT	
1G,2A,3-8	107788	COMP V MED EXT ASM 13W R	Right- 70D V hangers only 13 W- MED
1G,2B,3-8	107789	COMP V MED EXT ASM 14W R	Right- 70D V hangers only 14 W- MED
1G,2C,3-8	107790	COMP V MED EXT ASM 15W R	Right- 70D V hangers only 15 W- MED
1G,2D,3-8	107791	COMP V MED EXT ASM 16W R	Right- 70D V hangers only 16 W- MED
1G,2E,3-8	107792	COMP V MED EXT ASM 17W R	Right- 70D V hangers only 17 W- MED
1G,2F,3-8	107793	COMP V MED EXT ASM 18W R	Right- 70D V hangers only 18 W- MED
>>>>		70 DEGREE "V" HANGERS - MED EXT - LEFT	
1G,2A,3-8	107795	COMP V MED EXT ASM 13W L	Left- 70D V hangers only 13 W- MED
1G,2B,3-8	107796	COMP V MED EXT ASM 14W L	Left- 70D V hangers only 14 W- MED
1G,2C,3-8	107797	COMP V MED EXT ASM 15W L	Left- 70D V hangers only 15 W- MED
1G,2D,3-8	107798	COMP V MED EXT ASM 16W L	Left- 70D V hangers only 16 W- MED
1G,2E,3-8	107799	COMP V MED EXT ASM 17W L	Left- 70D V hangers only 17 W- MED
1G,2F,3-8	107800	COMP V MED EXT ASM 18W L	Left- 70D V hangers only 18 W- MED
>>>>		70 DEGREE "V" HANGERS - LONG EXT - RIGHT	
1H,2A,3-8	107802	COMP V LNG EXT ASM 13W R	Right- 70D V hangers only 13 W- LONG
1H,2B,3-8	107803	COMP V LNG EXT ASM 14W R	Right- 70D V hangers only 14 W- LONG
1H,2C,3-8	107804	COMP V LNG EXT ASM 15W R	Right- 70D V hangers only 15 W- LONG
1H,2D,3-8	107805	COMP V LNG EXT ASM 16W R	Right- 70D V hangers only 16 W- LONG
1H,2E,3-8	107806	COMP V LNG EXT ASM 17W R	Right- 70D V hangers only 17 W- LONG
1H,2F,3-8	107807	COMP V LNG EXT ASM 18W R	Right- 70D V hangers only 18 W- LONG
>>>>		70 DEGREE "V" HANGERS - LONG EXT - LEFT	
1H,2A,3-8	107809	COMP V LNG EXT ASM 13W L	Left- 70D V hangers only 13 W- LONG
1H,2B,3-8	107810	COMP V LNG EXT ASM 14W L	Left- 70D V hangers only 14 W- LONG
1H,2C,3-8	107811	COMP V LNG EXT ASM 15W L	Left- 70D V hangers only 15 W- LONG
1H,2D,3-8	107812	COMP V LNG EXT ASM 16W L	Left- 70D V hangers only 16 W- LONG
1H,2E,3-8	107813	COMP V LNG EXT ASM 17W L	Left- 70D V hangers only 17 W- LONG

Pos.	Item Number	Description	Remarks
1H,2F,3-8	107814	COMP V LNG EXT ASM 18W L	Left- 70D V hangers only 18 W- LONG
>>>>		80 DEGREE HANGERS - SHORT EXT - RIGHT	
1A,2A,3-6,7A,8	107704	COMP STRT SHT EXT ASM 13"W R	Right- 80D- 13" W- SHORT
1A,2B,3-6,7A,8	107705	COMP STRT SHT EXT ASM 14"W R	Right- 80D- 14" W- SHORT
1A,2C,3-6,7B,8	107706	COMP STRT SHT EXT ASM 15"W R	Right- 80D- 15" W- SHORT
1A,2D,3-6,7B,8	107707	COMP STRT SHT EXT ASM 16"W R	Right- 80D- 16" W- SHORT
1A,2E,3-6,7C,8	107708	COMP STRT SHT EXT ASM 17"W R	Right- 80D- 17" W- SHORT
1A,2F,3-6,7C,8	107709	COMP STRT SHT EXT ASM 18"W R	Right- 80D- 18" W- SHORT
1A,2G,3-6,7D,8	107710	COMP STRT SHT EXT ASM 19 & 20"W R	Right- 80D- 19 & 20" W- SHORT
1A,2H,3-6,7D,8	111522	COMP STRT SHT EXT ASM 21 & 22"W R	Right- 80D- 21 & 22" W- SHORT
>>>>		80 DEGREE HANGERS - SHORT EXT - LEFT	
1A,2A,3-6,7A,8	107711	COMP STRT SHT EXT ASM 13"W L	LEFT- 80D- 13" W- SHORT
1A,2B,3-6,7A,8	107712	COMP STRT SHT EXT ASM 14"W L	LEFT- 80D- 14" W- SHORT
1A,2C,3-6,7B,8	107713	COMP STRT SHT EXT ASM 15"W L	LEFT- 80D- 15" W- SHORT
1A,2D,3-6,7B,8	107714	COMP STRT SHT EXT ASM 16"W L	LEFT- 80D- 16" W- SHORT
1A,2E,3-6,7C,8	107715	COMP STRT SHT EXT ASM 17"W L	LEFT- 80D- 17" W- SHORT
1A,2F,3-6,7C,8	107716	COMP STRT SHT EXT ASM 18"W L	LEFT- 80D- 18" W- SHORT
1A,2G,3-6,7D,8	107717	COMP STRT SHT EXT ASM 19 & 20"W L	LEFT- 80D- 19 & 20" W- SHORT
1A,2H,3-6,7D,8	111523	COMP STRT SHT EXT ASM 21 & 22"W L	LEFT- 80D- 21 & 22" W- SHORT
>>>>		80 DEGREE HANGERS - MED EXT - RIGHT	
1B,2A,3-6,7A,8	107718	COMP STRT MED EXT ASM 13"W R	Right- 80D- 13" W- MED
1B,2B,3-6,7A,8	107719	COMP STRT MED EXT ASM 14"W R	Right- 80D- 14" W- MED
1B,2C,3-6,7B,8	107720	COMP STRT MED EXT ASM 15"W R	Right- 80D- 15" W- MED
1B,2D,3-6,7B,8	107721	COMP STRT MED EXT ASM 16"W R	Right- 80D- 16" W- MED
1B,2E,3-6,7C,8	107722	COMP STRT MED EXT ASM 17"W R	Right- 80D- 17" W- MED
1B,2F,3-6,7C,8	107723	COMP STRT MED EXT ASM 18"W R	Right- 80D- 18" W- MED
1B,2G,3-6,7D,8	107724	COMP STRT MED EXT ASM 19 & 20"W R	Right- 80D- 19 & 20" W- MED
1B,2H,3-6,7D,8	111524	COMP STRT MED EXT ASM 21 & 22"W R	Right- 80D- 21 & 22" W- MED
>>>>		80 DEGREE HANGERS - MED EXT - LEFT	
1B,2A,3-6,7A,8	107725	COMP STRT MED EXT ASM 13"W L	LEFT- 80D- 13" W- MED
1B,2B,3-6,7A,8	107726	COMP STRT MED EXT ASM 14"W L	LEFT- 80D- 14" W- MED
1B,2C,3-6,7B,8	107727	COMP STRT MED EXT ASM 15"W L	LEFT- 80D- 15" W- MED
1B,2D,3-6,7B,8	107728	COMP STRT MED EXT ASM 16"W L	LEFT- 80D- 16" W- MED
1B,2E,3-6,7C,8	107729	COMP STRT MED EXT ASM 17"W L	LEFT- 80D- 17" W- MED
1B,2F,3-6,7C,8	107730	COMP STRT MED EXT ASM 18"W L	LEFT- 80D- 18" W- MED
1B,2G,3-6,7D,8	107731	COMP STRT MED EXT ASM 19 & 20"W L	LEFT- 80D- 19 & 20" W- MED
1B,2H,3-6,7D,8	111525	COMP STRT MED EXT ASM 21 & 22"W L	LEFT- 80D- 21 & 22" W- MED
>>>>		80 DEGREE HANGERS - LONG EXT - RIGHT	
1C,2A,3-6,7A,8	107732	COMP STRT LONG EXT ASM 13"W R	Right- 80D- 13" W- LONG
1C,2B,3-6,7A,8	107733	COMP STRT LONG EXT ASM 14"W R	Right- 80D- 14" W- LONG
1C,2C,3-6,7B,8	107734	COMP STRT LONG EXT ASM 15"W R	Right- 80D- 15" W- LONG
1C,2D,3-6,7B,8	107735	COMP STRT LONG EXT ASM 16"W R	Right- 80D- 16" W- LONG
1C,2E,3-6,7C,8	107736	COMP STRT LONG EXT ASM 17"W R	Right- 80D- 17" W- LONG
1C,2F,3-6,7C,8	107737	COMP STRT LONG EXT ASM 18"W R	Right- 80D- 18" W- LONG
1C,2G,3-6,7D,8	107738	COMP STRT LONG EXT ASM 19 & 20"W R	Right- 80D- 19 & 20" W- LONG
1C,2H,3-6,7D,8	111526	COMP STRT LONG EXT ASM 21 & 22"W R	Right- 80D- 21 & 22" W- LONG
>>>>		80 DEGREE HANGERS - LONG EXT - LEFT	
1C,2A,3-6,7A,8	107739	COMP STRT LONG EXT ASM 13"W L	LEFT- 80D- 13" W- LONG
1C,2B,3-6,7A,8	107740	COMP STRT LONG EXT ASM 14"W L	LEFT- 80D- 14" W- LONG
1C,2C,3-6,7B,8	107741	COMP STRT LONG EXT ASM 15"W L	LEFT- 80D- 15" W- LONG
1C,2D,3-6,7B,8	107742	COMP STRT LONG EXT ASM 16"W L	LEFT- 80D- 16" W- LONG
1C,2E,3-6,7C,8	107743	COMP STRT LONG EXT ASM 17"W L	LEFT- 80D- 17" W- LONG
1C,2F,3-6,7C,8	107744	COMP STRT LONG EXT ASM 18"W L	LEFT- 80D- 18" W- LONG
1C,2G,3-6,7D,8	107745	COMP STRT LONG EXT ASM 19 & 20"W L	LEFT- 80D- 19 & 20" W- LONG
1C,2H,3-6,7D,8	111527	COMP STRT LONG EXT ASM 21 & 22"W L	LEFT- 80D- 21 & 22" W- LONG

To request assembly of parts being ordered as a kit, please add "ASSY-HNG-FP" after ELR or ALR & Calf Pad parts are selected

**ADD INSET FORMULA**  
 0" Inset (Seat Width) = Footrest Width  
 1" Inset (Seat Width) -2" = Footrest Width  
 2" Inset (Seat Width) -4" = Footrest Width  
 "V" Hanger (Seat Width) -4" = Footrest Width  
 Offset Hanger Receiver (Seat Width) +2" = Footrest Width  
 Flared Frame (Seat Width) = 2" = Footrest Width



**15 ALU FOOTPLATE HARDWARE KIT**

ITEM #	ILLUSTRATION	DESCRIPTION	QTY
1		1/4-28 X 5/8 BH C/S	2
3		BHCS, M6X1X50, PART, NP	1
8		NUT NYLOCK THIN 1/4-28	2
9		3/4" SADDLE THIN	2
10		NUT AUTOMATION M6 X 1-0 ROHS	1
11		WASHER FLAT M6	2

	PART NUMBER	"C"
SHORT	107126	8 1/4"
MED	107127	10 1/4"
LONG	107128	12 1/4"

P/N	DESCRIPTION	"A"	"B"
882337	FOOTPLATE ELR 14-15"	6"	6"
882338	FOOTPLATE ELR 16-17"	7"	6"
882339	FOOTPLATE ELR 18-20"	8"	6"

Pos.	Item Number	Description	Remarks
1	226090	1/4-28 x 5/8 BH C/S	
2	118093	BRACKET FOOTPLATE ALUM	
3	102262-008	BHCS M6 X 1 X 50 INORGANIC	
4	281043	#4 x 5/8 PAN PHIL S/TAP	
5	560101	END CAPS FOOTREST	
7	107126	SHORT BENT	
7	107127	MED BENT	
7	107128	LONG BENT	
7	128078	TUBE FOOTREST EXT SHT HEMI	Use for Hemi Extension option
8	106935	1/4-28 NYLOCK NUT THIN	
9	561003	3/4" SADDLE THIN	
10	132626	NUT AUTOMATION M6 X 1.0	
11	107383	WASHER FLAT M6 ROHS	
4,5,6A	882337	ELR FOOTPLATE ASSEMBLY 14 -15"	
4,5,6B	882338	ELR FOOTPLATE ASSEMBLY 16 -17"	
4,5,6C	882339	ELR FOOTPLATE ASSEMBLY 18 -20"	
12-14	119495	EXTENSION CLAMP KIT	
15	129775	ALU FOOTPLATE HDWARE KIT	Ext tube not included; bracket (118093) not included

<b>Pos.</b>	<b>Item Number</b>	<b>Description</b>	<b>Remarks</b>
		Ship assembled part #	Use with multiple assemblies
	ASSY-HNG-FP	HANGER/FOOTPLATE ASSY REQUIRED	add with Hanger & Footplate kit

**Note:** Footplate Assemblies are set to footrest width; please see "Footplate Formula" table for seat width conversion.

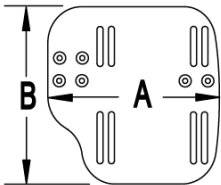
Note: V Style Hangers are not available on Swing Away Style chairs effective 7/14/14; see the "Prior To" ordering guide for V Style footplate assemblies.

Note: for QX Series or SR45 footplate replacement parts see the ordering guide marked specifically for these two models in the informations panel.

To have complete Footrest ship assembled, choose compatible Hanger + Footplate part numbers and add "ASSY-HNG-FP" to order

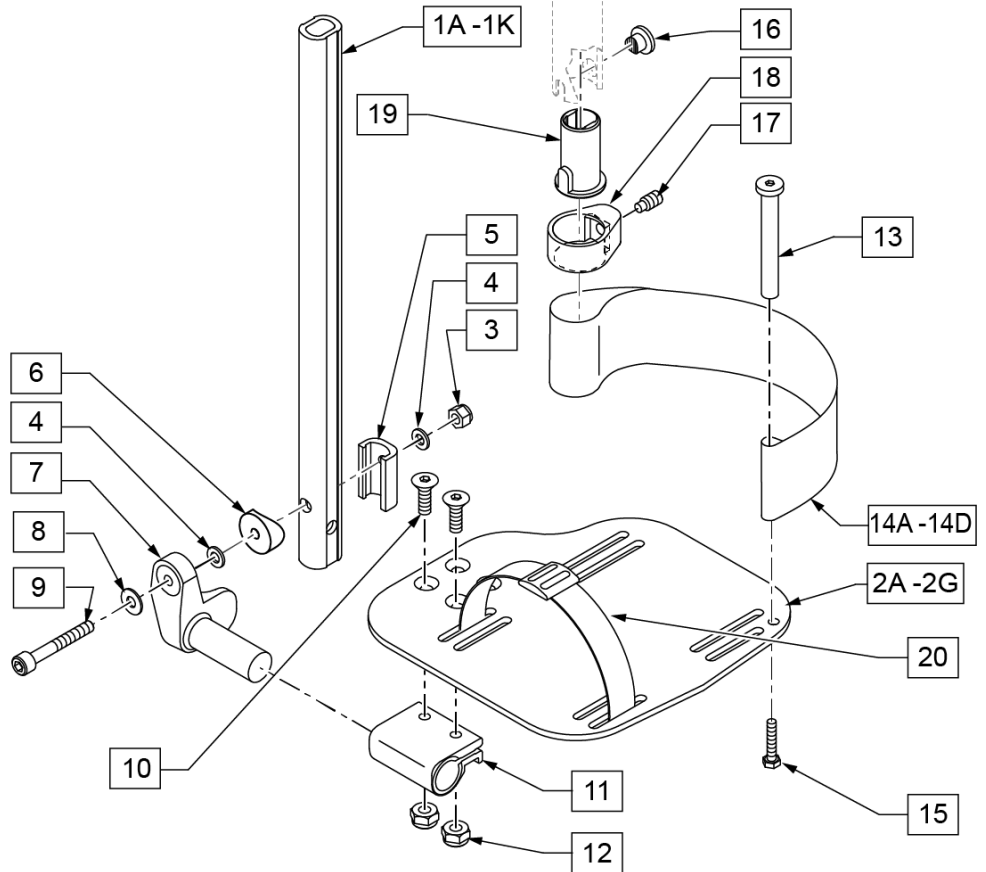
**INSET FORMULA**  
 0" Inset (Seat Width) = Footrest Width  
 1" Inset (Seat Width) -2" = Footrest Width  
 "V" Hanger (Seat Width) -4" = Footrest Width  
 Offset Hanger Receiver (Seat Width) +2" = Footrest Width

**MEASURING GUIDE**



CHAIR WIDTH	"A"	"B"
10" - 11"	3 1/2"	7 1/4"
12" - 13"	4 1/2"	7 3/4"
14" - 15"	5 1/2"	7 3/4"
16" - 17"	6 1/2"	7 3/4"
18" - 20"	7 1/2"	7 3/4"

21 EXT MNT HARDWARE 1 SIDE			
ITEM #	ILLUSTRATION	DESCRIPTION	QTY
3		NUT AUTOMATION M6 X 1.0 ROHS	1
4		WASHER FLAT THIN AN 1/4	2
5		HANGER EXTENSION SADDLE	1
6		3/4" SADDLE 1" OD	1
8		WASHER FLAT SAE 1/4 ROHS	1
9		SHCS M6 X 1 X 45 12MM PART THD	1



Pos.	Item Number	Description	Remarks
1A,3-6,8,9	120670	SHT STRT EXT AAA HDWR	80 deg Hangers Only
1B,3-6,8,9	120671	MED STRT EXT AAA HDWR	80 deg Hangers Only
1C,3-6,8,9	120672	LNG STRT EXT AAA HDWR	80 deg Hangers Only
1D,3-6,8,9	120673	SHT BNT EXT AAA HDWR	60,70,70 Hemi Hangers
1E,3-6,8,9	120674	MED BNT EXT AAA HDWR	60,70,70 Hemi Hangers

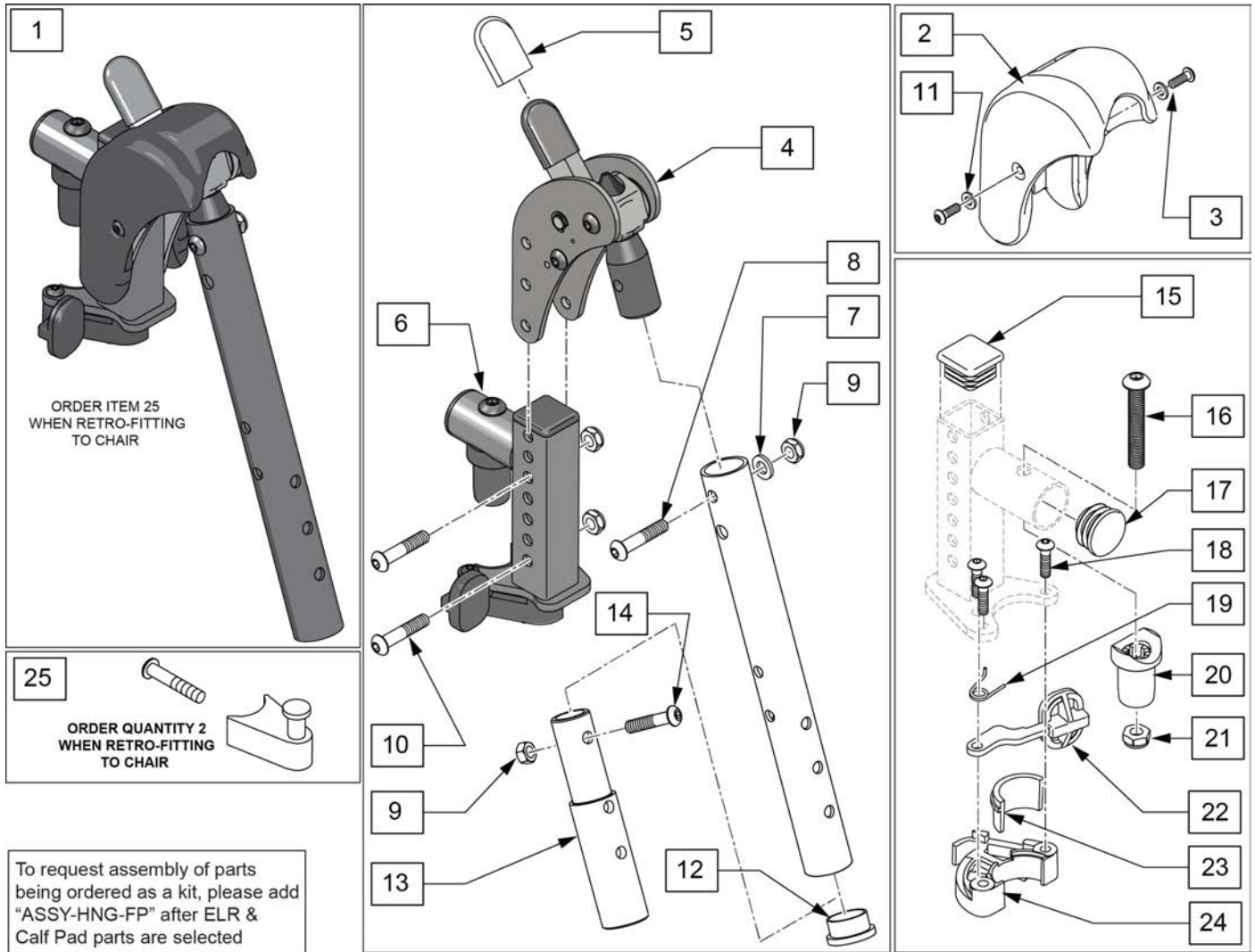
Pos.	Item Number	Description	Remarks
1F,3-6,8,9	120675	LNG BNT EXT AAA HDWR	60,70,70 Hemi Hangers
1G,3-6,8,9	120676	SHT V EXT R AAA HDWR	Left - 70 deg V Hangers Only
1H,3-6,8,9	120677	SHT V EXT L AAA HDWR	Right - 70 deg V Hangers Only
1I,3-6,8,9	120678	LNG V EXT R AAA HDWR	Left - 70 deg V Hangers Only
1J,3-6,8,9	120679	LNG V EXT L AAA HDWR	Right - 70 deg V Hangers Only
2A	500656	ADULT ANG ADJ F/PLT 10/11" R	RIGHT 10-11" Footrest Width
2A	500657	ADULT ANG ADJ F/PLT 10/11" L	LEFT 10-11" Footrest Width
2B	500658	ADULT ANG ADJ F/PLT 12/13" R	RIGHT 12-13" Footrest Width
2B	500659	ADULT ANG ADJ F/PLT 12/13" L	LEFT 12-13" Footrest Width
2C	500660	ADLT ANGL ADJ F/PLT 14/15	RIGHT 14-15" Footrest Width
2C	500661	ADLT ANGL ADJ F/PLT 14/15	LEFT 14-15" Footrest Width
2D	500662	ADLT ANGL ADJ F/PLT 16/17	RIGHT 16-17" Footrest Width
2D	500663	ADLT ANGL ADJ F/PLT 16/17	LEFT 16-17" Footrest Width
2E	500664	ADLT ANGL ADJ F/PLT 18-20	RIGHT 18-22" Footrest Width
2E	500665	ADLT ANGL ADJ F/PLT 18-20	LEFT 18-22" Footrest Width
3	132626	NUT AUTOMATION M6 X 1.0	
4	106944	WASHER FLAT THIN AN 1/4 ROHS	
5	107199	HANGER EXTENSION SADDLE	
6	104377	3/4" SADDLE THIN	
7	541002	FTRST MOUNTING BRKT-3/8 RAD R	RIGHT
7	541003	FTRST MOUNTING BRKT-3/8 RAD L	LEFT
8	106945	WASHER FLAT SAE 1/4 ROHS	
9	104399	SHCS M6X1X45 12 MM PART THD	
10	106978	FHCS 1/4-28 X 7/8 ROHS	
11	550350	3/4" CLMP ADJ FT PLT	
12	106935	NUT NYLOCK THIN 1/4-28 ROHS	
13	104328	POST HEEL LOOP	
14A	104380-001	ADJUSTABLE FOOT REST STRAP	12 - 14" WIDE
14B	104380-002	ADJUSTABLE FOOT REST STRAP	15 - 16" WIDE
14C	104380-003	ADJUSTABLE FOOT REST STRAP	17 - 18" WIDE
14D	104380-004	ADJUSTABLE FOOT REST STRAP	19 - 20" WIDE
15	102268-001	HHCS M6 X 1 X 25	
16-19	107485	FOOTREST CLAMP ASSM	
20	740260	TOE-ANKLE STRAP ADJ ADULT FOOTPLATE	
21	120659	EXT MNT HARDWARE 1 SIDE	
>>>>		80° HANGERS - SHORT EXT - RIGHT	
1A,2B,3-14A,15	111534	AAA STRT SHT EXT ASM 12-13" W R	Right- 80D- 12-13" W- SHORT
1A,2C,3-14B,15	107928	AAA STRT SHT EXT ASM 14-15" W R	Right- 80D- 14-15" W- SHORT
1A,2D,3-14C,15	107930	AAA STRT SHT EXT ASM 16-17" W R	Right- 80D- 16-17" W- SHORT
1A,2E,3-14D,15	107932	AAA STRT SHT EXT ASM 18-22" W R	Right- 80D- 18-22" W- SHORT
>>>>		80° HANGERS - SHORT EXT - LEFT	
1A,2B,3-14A,15	111535	AAA STRT SHT EXT ASM 12-13" W L	Left- 80D- 12-13" W- SHORT
1A,2C,3-14B,15	107935	AAA STRT SHT EXT ASM 14" W L	Left- 80D- 14-15" W- SHORT
1A,2D,3-14C,15	107937	AAA STRT SHT EXT ASM 16" W L	Left- 80D- 16-17" W- SHORT
1A,2E,3-14D,15	107939	AAA STRT SHT EXT ASM 18" W L	Left- 80D- 18-22" W- SHORT
>>>>		80° HANGERS - MED EXT - RIGHT	
1B,2B,3-14A,15	111536	AAA STRT MED EXT ASM 12-13" W R	Right- 80D- 12-13" W- MED
1B,2C,3-14B,15	107942	AAA STRT MED EXT ASM 14-15" W R	Right- 80D- 14-15" W- MED
1B,2D,3-14C,15	107944	AAA STRT MED EXT ASM 16-17" W R	Right- 80D- 16-17" W- MED
1B,2E,3-14D,15	107946	AAA STRT MED EXT ASM 18-22" W R	Right- 80D- 18-22" W- MED
>>>>		80° HANGERS - MED EXT - LEFT	
1B,2B,3-14A,15	111537	AAA STRT MED EXT ASM 12-13" W L	Left- 80D- 12-13" W- MED
1B,2C,3-14B,15	107949	AAA STRT MED EXT ASM 14" W L	Left- 80D- 14-15" W- MED
1B,2D,3-14C,15	107951	AAA STRT MED EXT ASM 16" W L	Left- 80D- 16-17" W- MED
1B,2E,3-14D,15	107953	AAA STRT MED EXT ASM 18" W L	Left- 80D- 18-22" W- MED
>>>>		80° HANGERS - LONG EXT - RIGHT	
1C,2B,3-14A,15	111538	AAA STRT LNG EXT ASM 12-13" W R	Right- 80D- 12-13" W- LONG

Pos.	Item Number	Description	Remarks
1C,2C,3-14B,15	107956	AAA STRT LNG EXT ASM 14 -15" W R	Right- 80D- 14-15" W- LONG
1C,2D,3-14C,15	107958	AAA STRT LNG EXT ASM 16 -17" W R	Right- 80D- 16-17" W- LONG
1C,2E,3-14D,15	107960	AAA STRT LNG EXT ASM 18 -22" W R	Right- 80D- 18-22" W- LONG
>>>>		80° HANGERS - LONG EXT - LEFT	
1C,2B,3-14A,15	111539	AAA STRT LNG EXT ASM 12-13" W L	Left- 80D- 12-13" W- LONG
1C,2C,3-14B,15	107963	AAA STRT LNG EXT ASM 14W L	Left- 80D- 14-15" W- LONG
1C,2D,3-14C,15	107965	AAA STRT LNG EXT ASM 16W L	Left- 80D- 16-17" W- LONG
1C,2E,3-14D,15	107968	AAA STRT LNG EXT ASM 18W L	Left- 80D- 18-22" W- LONG
>>>>		70° HANGERS - SHORT EXT - RIGHT	
1D,2B,3-14A,15	111540	AAA BNT SHT EXT ASM 12-13" W R	Right- 60D,70D,70D HEMI - 12-13" W- SHORT
1D,2C,3-14B,15	107973	AAA BNT SHT EXT ASM 14 -15" W R	Right- 60D,70D,70D HEMI - 14-15" W- SHORT
1D,2D,3-14C,15	107975	AAA BNT SHT EXT ASM 16 -17" W R	Right- 60D,70D,70D HEMI - 16-17" W- SHORT
1D,2E,3-14D,15	107977	AAA BNT SHT EXT ASM 18 -22" W R	Right- 60D,70D,70D HEMI - 18-22" W- SHORT
>>>>		70° HANGERS - SHORT EXT - LEFT	
1D,2B,3-14A,15	111541	AAA BNT SHT EXT ASM 12-13" W L	Left- 60D,70D,70D HEMI - 12-13" W- SHORT
1D,2C,3-14B,15	107980	AAA BNT SHT EXT ASM 14 -15" W L	Left- 60D,70D,70D HEMI - 14-15" W- SHORT
1D,2D,3-14C,15	107982	AAA BNT SHT EXT ASM 16 -17" W L	Left- 60D,70D,70D HEMI - 16-17" W- SHORT
1D,2E,3-14D,15	107984	AAA BNT SHT EXT ASM 18 -22" W L	Left- 60D,70D,70D HEMI - 18-22" W- SHORT
>>>>		70° HANGERS - MED EXT - RIGHT	
1E,2B,3-14A,15	111542	AAA BNT MED EXT ASM 12-13" W R	Right- 60D,70D,70D HEMI - 12-13" W- MED
1E,2C,3-14B,15	107987	AAA BNT MED EXT ASM 14 -15" W R	Right- 60D,70D,70D HEMI - 14-15" W- MED
1E,2D,3-14C,15	107989	AAA BNT MED EXT ASM 16 -17" W R	Right- 60D,70D,70D HEMI - 16-17" W- MED
1E,2E,3-14D,15	107991	AAA BNT MED EXT ASM 18 -22" W R	Right- 60D,70D,70D HEMI - 18-22" W- MED
>>>>		70° HANGERS - MED EXT - LEFT	
1E,2B,3-14A,15	111543	AAA BNT MED EXT ASM 12-13" W L	Left- 60D,70D,70D HEMI - 12-13" W- MED
1E,2C,3-14B,15	107994	AAA BNT MED EXT ASM 14 -15" W L	Left- 60D,70D,70D HEMI - 14-15" W- MED
1E,2D,3-14C,15	107996	AAA BNT MED EXT ASM 16 -17" W L	Left- 60D,70D,70D HEMI - 16-17" W- MED
1E,2E,3-14D,15	107998	AAA BNT MED EXT ASM 18 -22" W L	Left- 60D,70D,70D HEMI - 18-22" W- MED
>>>>		70° HANGERS - LONG EXT - RIGHT	
1F,2B,3-14A,15	111544	AAA BNT LONG EXT ASM 12-13" W R	Right- 60D,70D,70D HEMI - 12-13" W- LONG
1F,2C,3-14B,15	108001	AAA BNT LONG EXT ASM 14 -15" W R	Right- 60D,70D,70D HEMI - 14-15" W- LONG
1F,2D,3-14C,15	108003	AAA BNT LONG EXT ASM 16 -17" W R	Right- 60D,70D,70D HEMI - 16-17" W- LONG
1F,2E,3-14D,15	108005	AAA BNT LONG EXT ASM 18 -22" W R	Right- 60D,70D,70D HEMI - 18-22" W- LONG
>>>>		70° HANGERS - LONG EXT - LEFT	
1F,2B,3-14A,15	111545	AAA BNT LONG EXT ASM 12-13" W L	Left- 60D,70D,70D HEMI - 12-13" W- LONG
1F,2C,3-14B,15	108008	AAA BNT LONG EXT ASM 14 -15" W L	Left- 60D,70D,70D HEMI - 14-15" W- LONG
1F,2D,3-14C,15	108010	AAA BNT LONG EXT ASM 16 -17" W L	Left- 60D,70D,70D HEMI - 16-17" W- LONG
1F,2E,3-14D,15	108012	AAA BNT LONG EXT ASM 18 -22" W L	Left- 60D,70D,70D HEMI - 18-22" W- LONG
>>>>		70° "V" HANGERS - MED EXT - RIGHT	
1G,2A,3-15	111546	AAA V MED EXT ASM 10-11" W R	Right- 70D V hangers only 10-11" W- MED
1G,2B,3-15	111548	AAA V MED EXT ASM 12-13" W R	Right- 70D V hangers only 12-13" W- MED
1G,2C,3-15	108015	AAA V MED EXT ASM 14 -15" W R	Right- 70D V hangers only 14-15" W- MED
1G,2D,3-15	108017	AAA V MED EXT ASM 16 -17" W R	Right- 70D V hangers only 16-18" W- MED
1G,2E,3-15	108019	AAA V MED EXT ASM 18 -18" W R	Right- 70D V hangers only 18-22" W- MED
>>>>		70° "V" HANGERS - MED EXT - LEFT	
1G,2A,3-15	111547	AAA V MED EXT ASM 10-11" W L	Left- 70D V hangers only 10-11" W- MED
1G,2B,3-15	111549	AAA V MED EXT ASM 12-13" W L	Left- 70D V hangers only 12-13" W- MED
1G,2C,3-15	108022	AAA V MED EXT ASM 14 -15"W L	Left- 70D V hangers only 14-15" W- MED
1G,2D,3-15	108024	AAA V MED EXT ASM 16 -17" W L	Left- 70D V hangers only 16-18" W- MED
1G,2E,3-15	108026	AAA V MED EXT ASM 18 -22: W L	Left- 70D V hangers only 18-22" W- MED
>>>>		70° "V" HANGERS - LONG EXT - RIGHT	
1H,2A,3-15	111550	AAA V LONG EXT ASM 10-11" W R	Right- 70D V hangers only 10-11" W- LONG
1H,2B,3-15	111552	AAA V LONG EXT ASM 12-13" W R	Right- 70D V hangers only 12-13" W- LONG
1H,2C,3-15	108029	AAA V LONG EXT ASM 14 -15" W R	Right- 70D V hangers only 14-15" W- LONG
1H,2D,3-15	108031	AAA V LONG EXT ASM 16 -17" W R	Right- 70D V hangers only 16-18" W- LONG
1H,2E,3-15	108033	AAA V LONG EXT ASM 18 -22: W R	Right- 70D V hangers only 18-22" W- LONG
>>>>		70° "V" HANGERS - LONG EXT - LEFT	



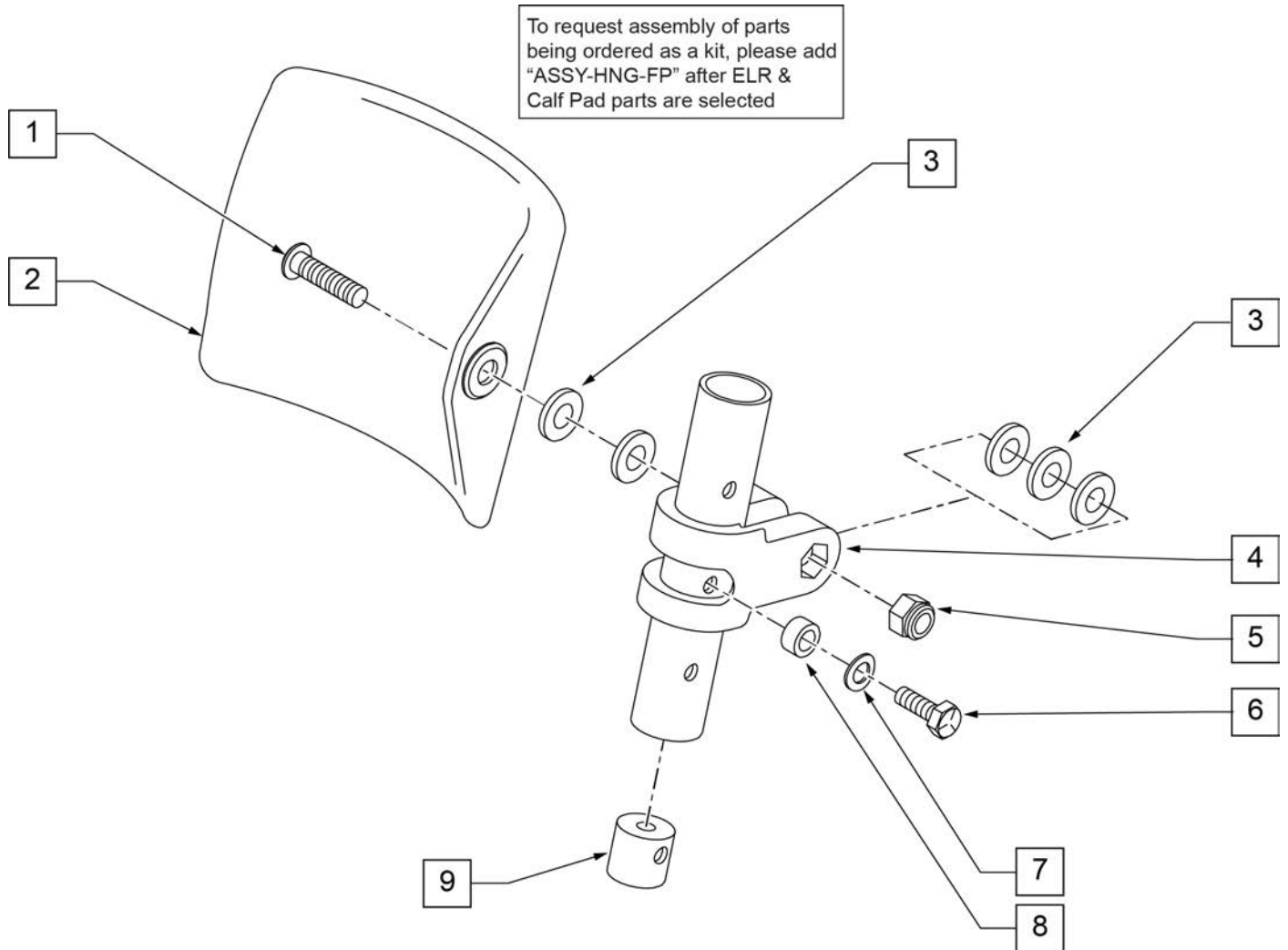
<b>Pos.</b>	<b>Item Number</b>	<b>Description</b>	<b>Remarks</b>
1H,2A,3-15	111551	AAA V LONG EXT ASM 10-11" W L	Left- 70D V hangers only 10-11" W- LONG
1H,2B,3-15	111553	AAA V LONG EXT ASM 12-13" W L	Left- 70D V hangers only 12-13" W- LONG
1H,2C,3-15	108036	AAA V LONG EXT ASM 14 -15" W L	Left- 70D V hangers only 14-15" W- LONG
1H,2D,3-15	108038	AAA V LONG EXT ASM 16 -17" W L	Left- 70D V hangers only 16-18" W- LONG
1H,2E,3-15	108040	AAA V LONG EXT ASM 18 -22" W L	Left- 70D V hangers only 18-22" W- LONG
		Ship assembled part #	Use with multiple assemblies
	ASSY-HNG-FP	HANGER/FOOTPLATE ASSY REQUIRED	add with Hanger & Footplate kit

Note: When retrofitting ELR to a chair with S/A Hangers please order Qty 2 of p/n 107491(Item 25).

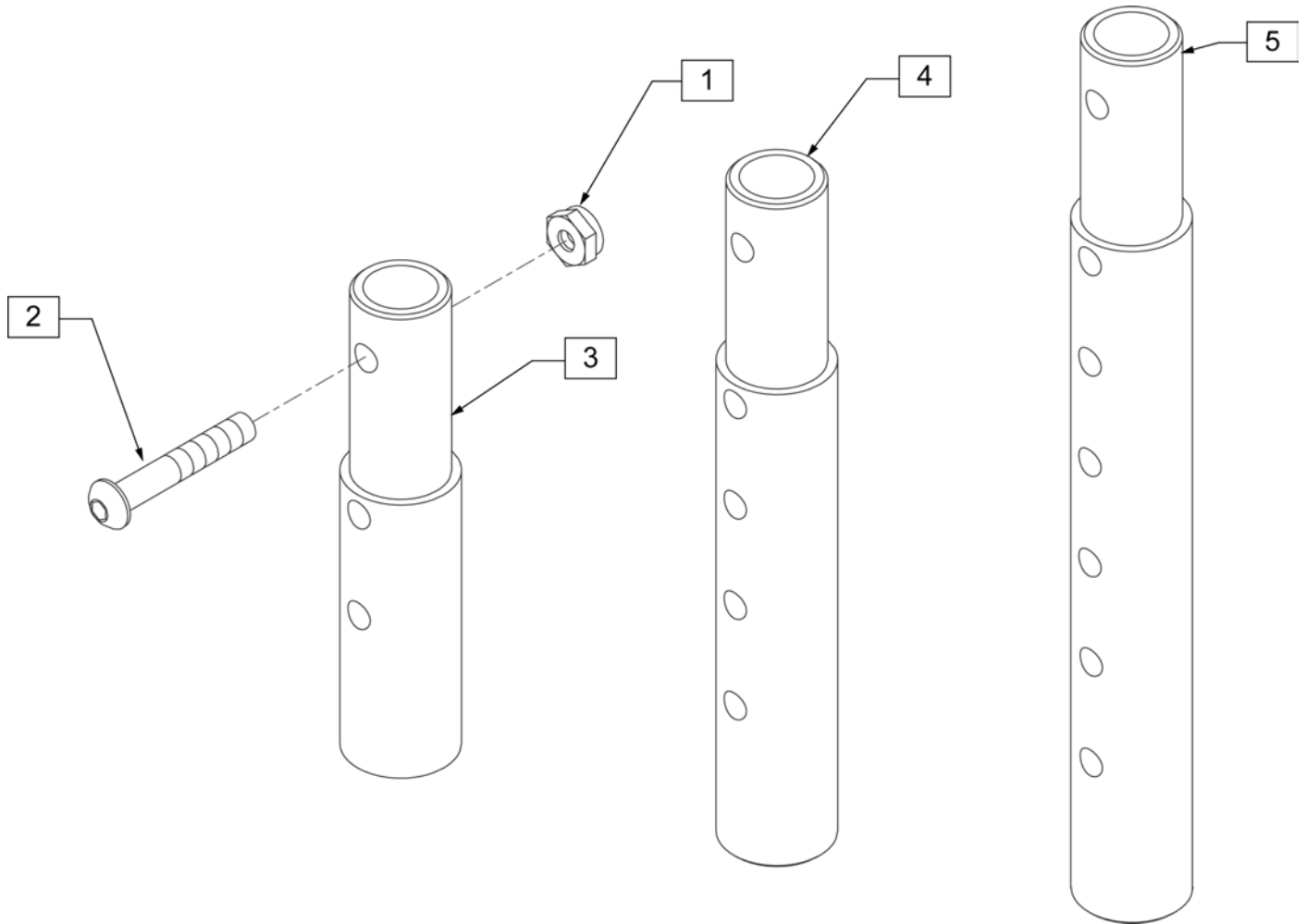


Pos.	Item Number	Description	Remarks
1	129635S	DIRECT MOUNT ELR KIT R	Right-order item 25 when retro-fitting to chair
1	129636S	DIRECT MOUNT ELR KIT L	Left-order item 25 when retro-fitting to chair
1	129634S	DIRECT MOUNT ELR PAIR KIT	Pair-order item 25 when retro-fitting to chair
2,3,25	129640	ELR SHROUD KIT	Kit w/ 2 screws
3	127135	BHCS 8-32 X 1/2 BLK	
4	126992	HEMI ELR SUB ASSM	
5	560501	ALR REL LEVER COVER	
6	127114	HEMI RECEIVER ASSM ELR ALR R	Right
6	127115	HEMI RECEIVER ASSM ELR ALR L	Left
7	104414	WAVE WASHER 6 MM	
8	106961	BHCS 1/4 -28 x 1 1/4 ROHS	
9	106935	1/4-28 NYLOCK NUT THIN BLK ZN	
10	108623	BHCS 1/4-28 x 1-1/2	
11	113282	WASHER FLAT AN #10 ROHS	
12	561002	1" INSERT PLUG .083	

Pos.	Item Number	Description	Remarks
13	500150	2" FOOTREST EXT TUBE	
14	106961	1/4-28 x 1 1/4 BH C/S	
15	010615	SQUARE END CAP CNTR LEG	
17	561062	1" INSERT PLUG .065 RIBS	
18	226057	BHCS 10-24 X .725 PL	
16,17,20,21	119518	PIVOT SADDLE KIT	
23,24	881500	LATCH BLOCK ASSM R	Right
23,24	881501	LATCH BLOCK ASSM L	Left
18,19,22-24	881521	S/A LATCH KIT CASTING RIGHT	Right
18,19,22-24	881522	S/A LATCH KIT CASTING LEFT	Left
25	107491	LATCH STUD KIT	order qty 2 when retro-fitting to chair
		Ship assembled part #	Use with multiple assemblies
	ASSY-HNG-FP	HANGER/FOOTPLATE ASSY REQUESTED	add with Hanger & Footplate kit

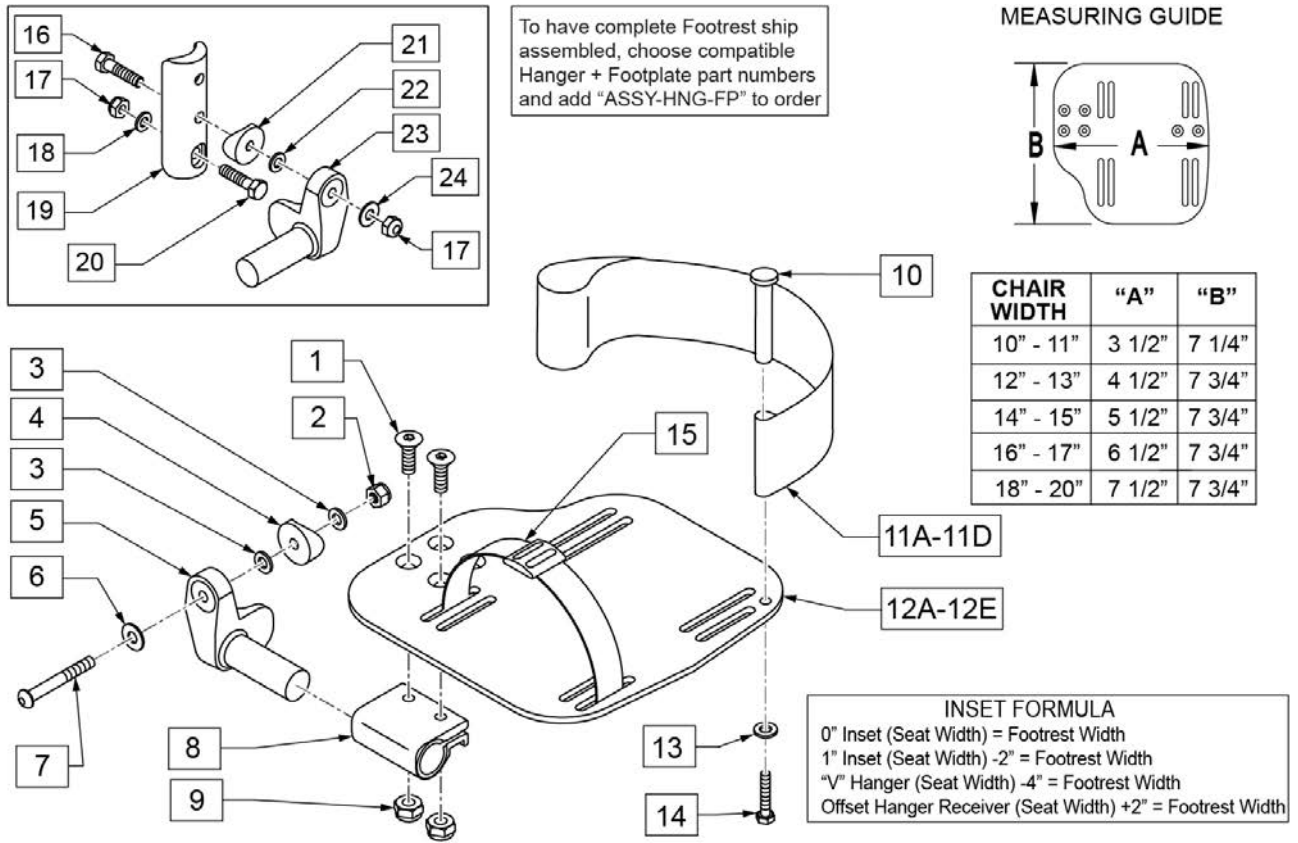


Pos.	Item Number	Description	Remarks
1	226217	5/16-18 x 2" BH C/S BLK	
2	755013	CALF PAD TROUGH STYLE KIDS	
3	561016	1" WASHER 5/16" HOLE	
4	561097	ELR ELEVATING TUBE CLAMP	
5	106937	5/16 -18 NYLOCK NUT THIN	
6	106958	HHCS 1/4-20 X 1 ROHS	
7	262130	6mm WASHER WAVE	
8	483027	1/4 x 1/4 ALUMINUM SPACER	
9	500151	KIDS ALR RETAINING PLUG	
1-9	880533	ELR TROUGH PAD ASSM KIDS	
		Ship assembled part #	Use with multiple assemblies
	ASSY-HNG-FP	HANGER/FOOTPLATE ASSY REQUIRED	add with Hanger & Footplate kit



Pos.	Item Number	Description	Remarks
1	106935	NUT NYLOCK THIN 1/4 -28 ROHS	
2	106961	BHCS 1/4 -28 x 1 1/4 ROHS	
1-3	111505	2" FOOTREST EXTENSION TUBE W/ HDWR ASSM	2" EXT (PAIR)
1, 2, 4	111506	4" FOOTREST EXTENSION TUBE W/ HDWR ASSM	4" EXT (PAIR)
1, 2, 5	111507	6" FOOTREST EXTENSION TUBE W/ HDWR ASSM	6" EXT (PAIR)

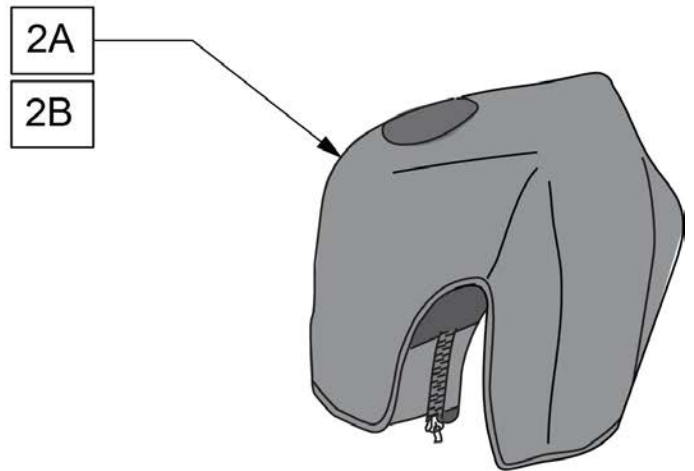
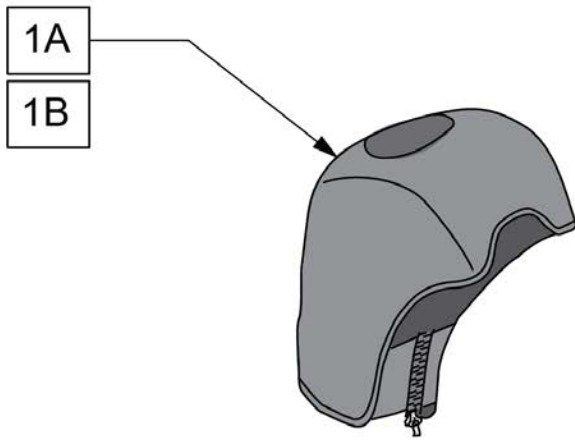
Note: for QX Series or SR45 footplate replacement parts see the ordering guide marked specifically for these two models in the informations panel.



Pos.	Item Number	Description	Remarks
1	106978	FHCS 1/4-28 X 7/8	
2	106934	NUT NYLOCK 1/4-28	
3	106944	WASHER FLAT THIN AN 1/4	
4	561004	Q2 SADDLE	
5	541000	FTRST MOUNTING BRKT 1/2" RAD R	Right
5	541001	FTRST MOUNTING BRKT 1/2" RAD L	Left
6	106945	WASHER FLAT SAE 1/4 ROHS	
7	106964	BHCS 1/4-28 X 2	
8	550350	3/4 CLMP ADJ FT PLT	
9	106935	NUT NYLOCK THIN 1/4-28 ROHS	
10	561040	HEEL LOOP PEG	
11A	104380-001	ADJ FOOTREST STRAP 14W	Used on 10"-13" wide
11B	104380-002	ADJ FOOTREST STRAP 15-16W	Used on 14"-15" wide
11C	104380-003	ADJ FOOTREST STRAP 17-18W	Used on 16"-17" wide
11D	104380-004	ADJ FOOTREST STRAP 19-20W	Used on 18"-20" wide
12A	500656	ADULT ANGL ADJ F/PLT 10/11	Right; 10"-11" wide
12A	500657	ADULT ANGL ADJ F/PLT 10/11	Left; 10"-11" wide

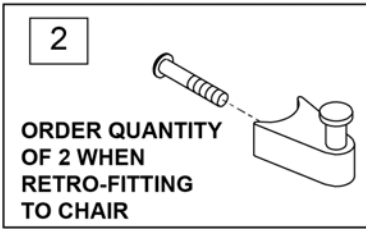
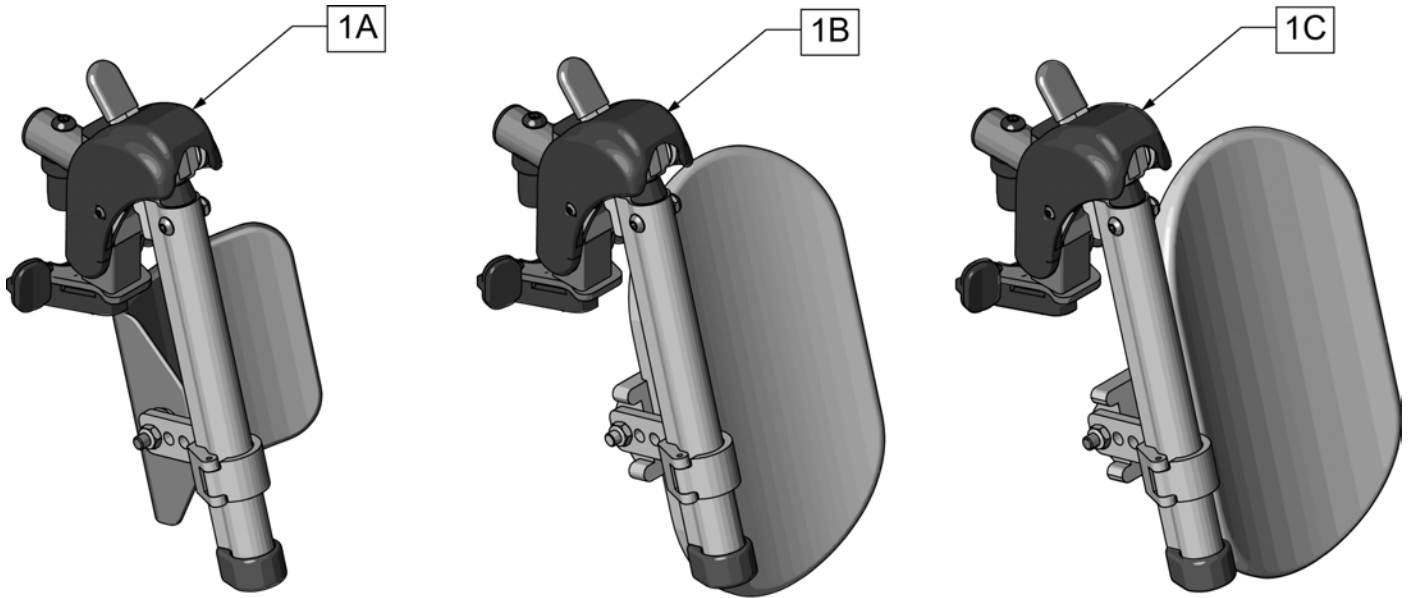
Pos.	Item Number	Description	Remarks
12B	500658	ADULT ANGL ADJ F/PLT 12/13	Right; 12"-13" wide
12B	500659	ADULT ANGL ADJ F/PLT 12/13	Left; 12"-13" wide
12C	500660	ADULT ANGL ADJ F/PLT 14/15	Right; 14"-15" wide
12C	500661	ADULT ANGL ADJ F/PLT 14/15	Left; 14"-15" wide
12D	500662	ADULT ANGL ADJ F/PLT 16/17	Right; 16"-17" wide
12D	500663	ADULT ANGL ADJ F/PLT 16/17	Left; 16"-17" wide
12E	500664	ADULT ANGL ADJ F/PLT 18-20	Right; 18"-22" wide
12E	500665	ADULT ANGL ADJ F/PLT 18-20	Left; 18"-22" wide
13	107383	WASHER FLAT M6 ROHS	
14	102268-001	HHCS M6 X 1 X 25	
15	740260	TOE-ANKLE STRAP ADJ ADULT FOOTPLATE	
16	102268-001	HHCS M6 X 1 X 25	
17	132626	NUT AUTOMATION M6 X 1	
18	107383	WASHER FLAT M6 ROHS	
20	118198	HHCS M6X1X40 PART NP	
21	561004	Q2 SADDLE	
22	106943	WASHER FLAT AN 1/4 ROHS	
24	106945	WASHER FLAT SAE 1/4 ROHS	
16-24	129764	AAA FRNT MNT ADAPTER KIT PR	Pair; fits both Kids & Adult Angle Adj Footplates
1,8-10,11A,12A,13,14	129765	AAA F/PLT KIT 10-11 RT	Right; used w/ 129764 on Plunger-Style Swing In/Out Hangers
1,8-10,11A,12A,13,14	129766	AAA F/PLT KIT 10-11 LFT	Left; used w/ 129764 on Plunger-Style Swing In/Out Hangers
1,8-10,11A,12B,13,14	129767	AAA F/PLT KIT 12-13 RT	Right; used w/ 129764 on Plunger-Style Swing In/Out Hangers
1,8-10,11A,12B,13,14	129768	AAA F/PLT KIT 12-13 LFT	Left; used w/ 129764 on Plunger-Style Swing In/Out Hangers
1,8-10,11B,12C,13,14	129769	AAA F/PLT KIT 14-15 RT	Right; used w/ 129764 on Plunger-Style Swing In/Out Hangers
1,8-10,11B,12C,13,14	129770	AAA F/PLT KIT 14-15 LFT	Left; used w/ 129764 on Plunger-Style Swing In/Out Hangers
1,8-10,11C,12D,13,14	129771	AAA F/PLT KIT 16-17 RT	Right; used w/ 129764 on Plunger-Style Swing In/Out Hangers
1,8-10,11C,12D,13,14	129772	AAA F/PLT KIT 16-17 LFT	Left; used w/ 129764 on Plunger-Style Swing In/Out Hangers
1,8-10,11D,12E,13,14	129773	AAA F/PLT KIT 18-20 RT	Right; used w/ 129764 on Plunger-Style Swing In/Out Hangers
1,8-10,11D,12E,13,14	129774	AAA F/PLT KIT 18-20 LFT	Left; used w/ 129764 on Plunger-Style Swing In/Out Hangers
1-10,11A,12B	111514	AAA FTPLT 90D 12/13" R	Right; used w/ Old-Style Latch Block Swing In/Out & S/A Hngrs
1-10,11A,12B	111515	AAA FTPLT 90D 12/13" L	Left; used w/ Old-Style Latch Block Swing IO & S/A Hngrs
1-10,11B,12C	111516	AAA FTPLT 90D 14/15" R	Right; used w/ Old-Style Latch Block Swing In/Out & S/A Hngrs
1-10,11B,12C	111517	AAA FTPLT 90D 14/15" L	Left; used w/ Old-Style Latch Block Swing IO & S/A Hngrs
1-10,11C,12D	111518	AAA FTPLT 90D 16/17" R	Right; used w/ Old-Style Latch Block Swing In/Out & S/A Hngrs
1-10,11C,12D	111519	AAA FTPLT 90D 16/17" L	Left; used w/ Old-Style Latch Block Swing IO & S/A Hngrs
1-10,11D,12E	111520	AAA FTPLT 90D 18/20" R	Right; used w/ Old-Style Latch Block Swing In/Out & S/A Hngrs
1-10,11D,12E	111521	AAA FTPLT 90D 18/20" L	Left; used w/ Old-Style Latch Block Swing IO & S/A Hngrs
		Ship assembled part #	Use with multiple assemblies
	ASSY-HNG-FP	HANGER/FOOTPLATE ASSY REQUIRED	add with Hanger & Footplate kit

Note: For installation instructions please see the informations section to the right of this parts page.



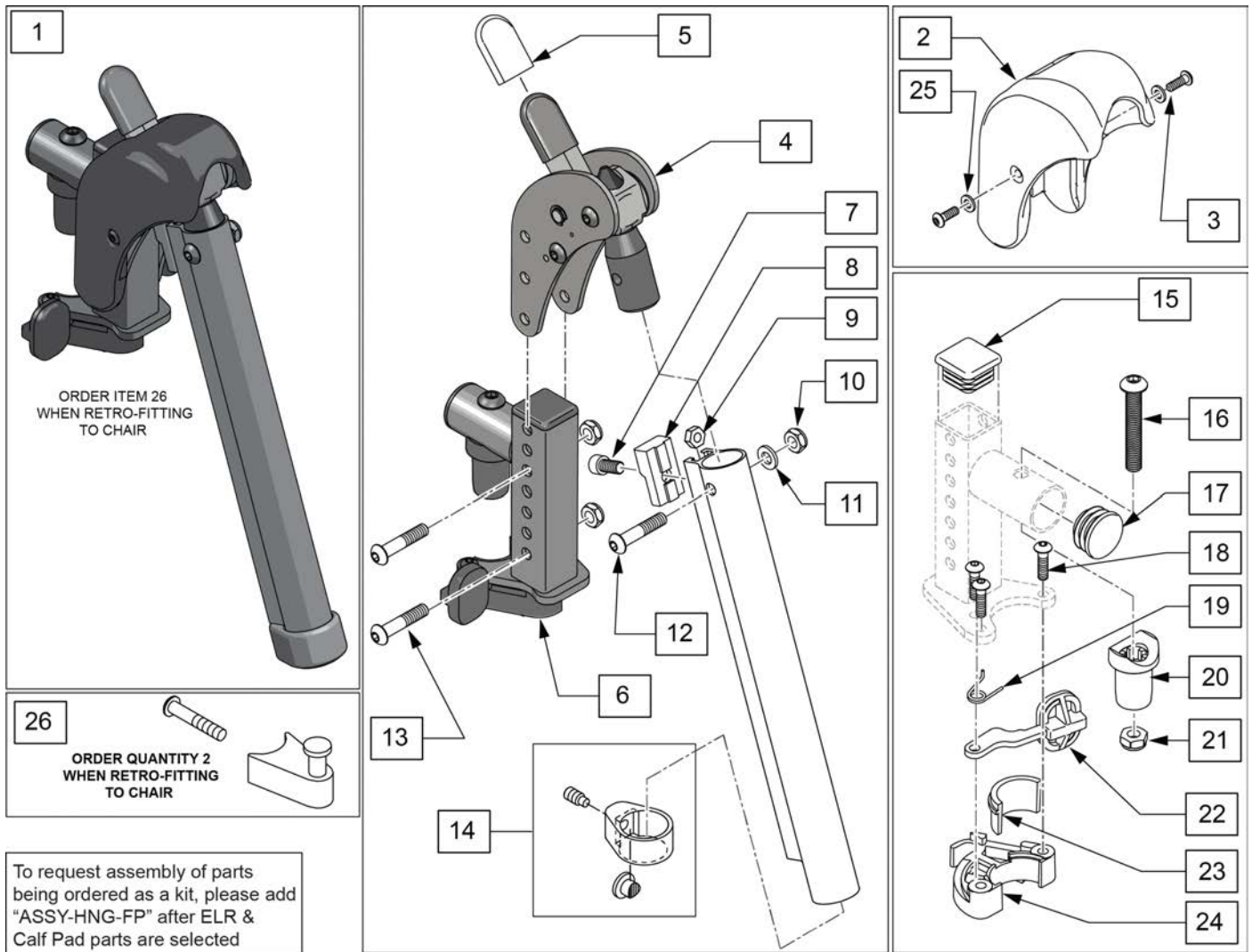
Pos.	Item Number	Description	Remarks
1A	163881	ELR NEOPRENE COVER PR	Pair
1B	163882	ELR GEL COVER PR	Pair
2A	163883	ALR NEOPRENE COVER PR	Pair
2B	163884	ALR GEL COVER PR	Pair





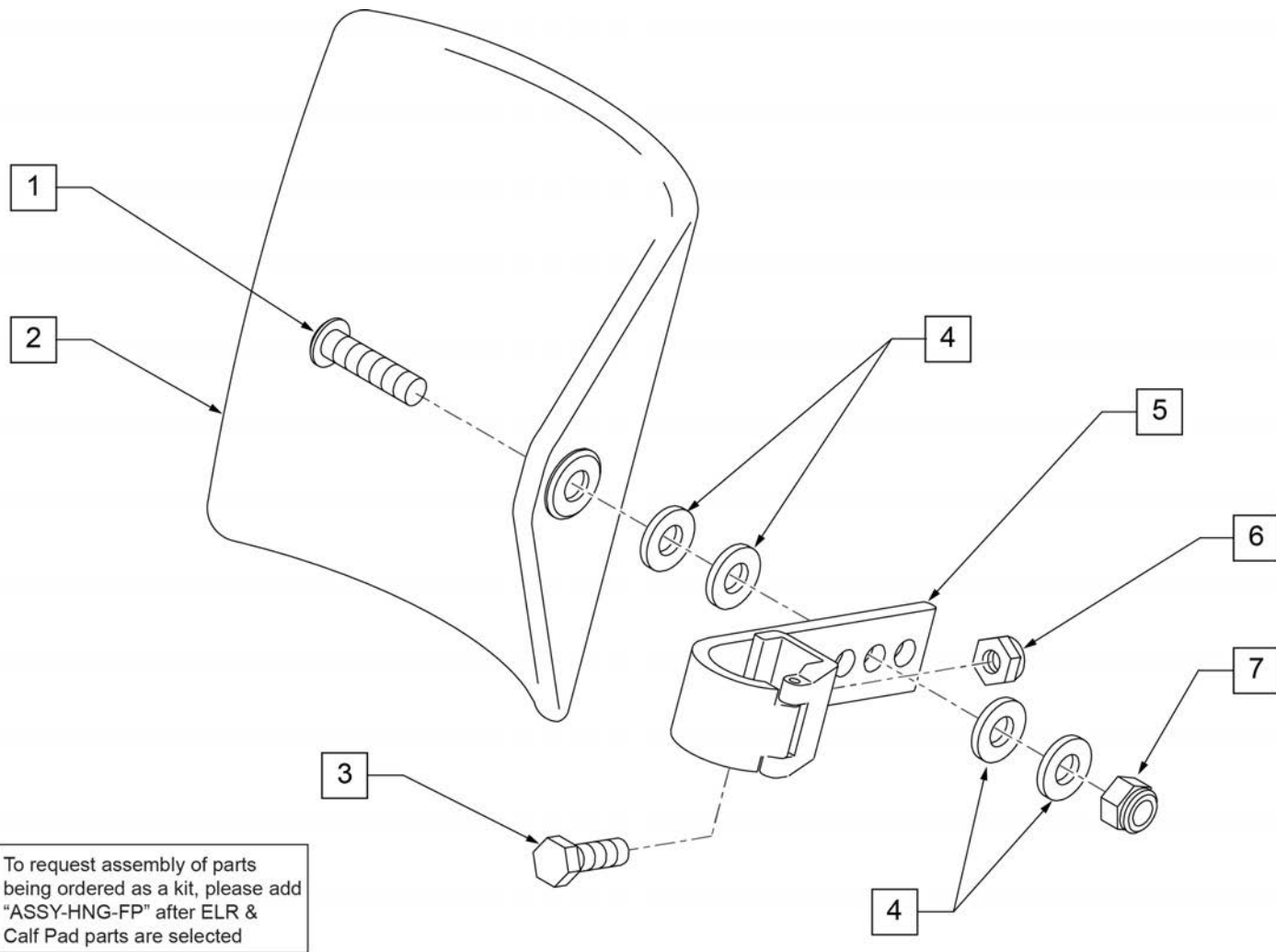
Pos.	Item Number	Description	Remarks
1A	131774S	HEMI ELR HNGR ASM 14-15 W/PAD	
1B	131775S	HEMI ELR HNGR ASM 16-17 W/PAD	
1C	131776S	HEMI ELR HNGR ASM 18-20 W/PAD	
2	107491	LATCH STUD KIT	order qty 2 when retro-fitting to chair
		Ship assembled part #	Use with multiple assemblies
	ASSY-HNG-FP	HANGER/FOOTPLATE ASSY REQUIRED	add with Hanger & Footplate kit

Note: When retrofitting existing chair with S/A Legrests please order Qty 2 of p/n 107491.(Item 26)

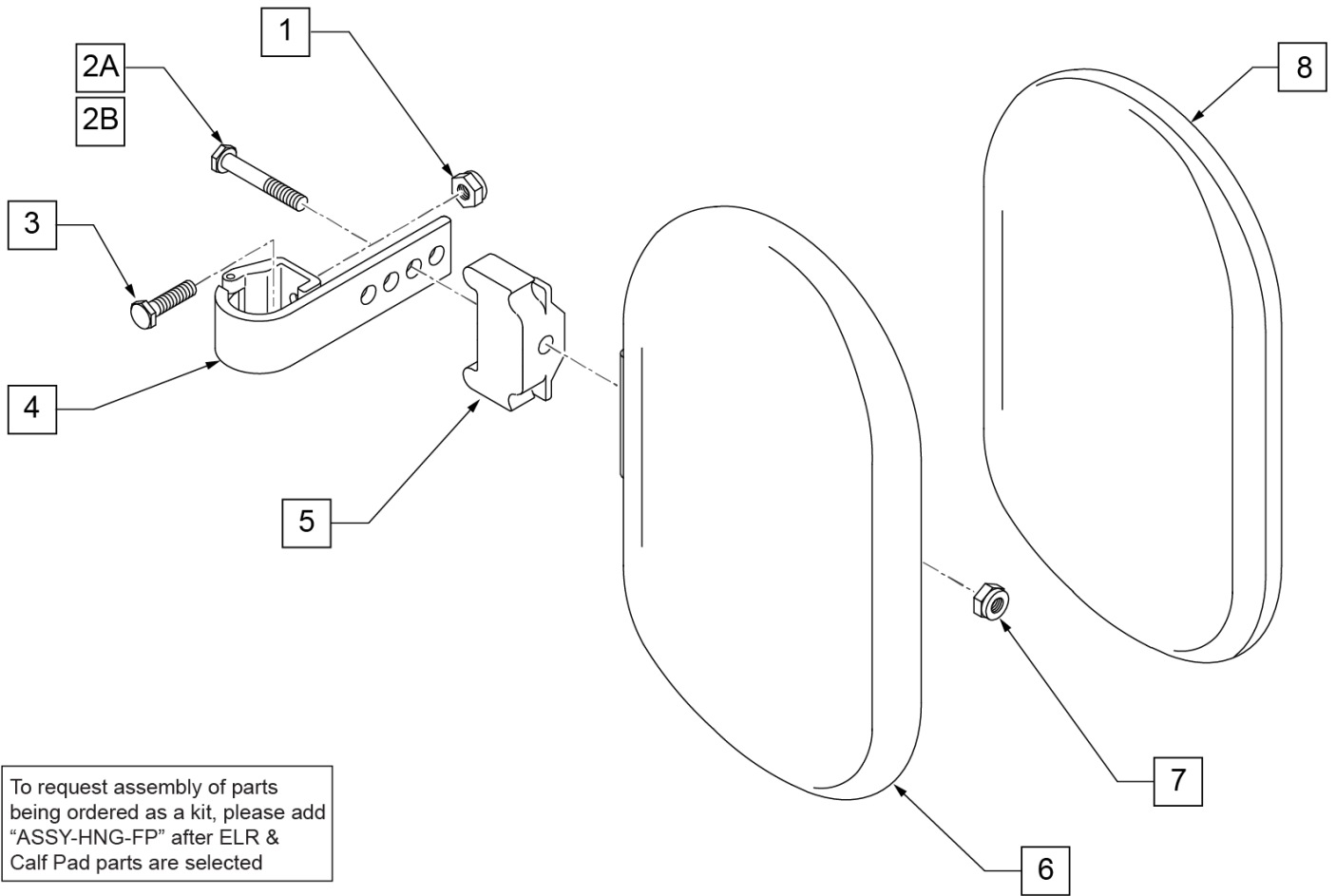


Pos.	Item Number	Description	Remarks
1	129638S	EXTENSION MOUNT ELR KIT R	Right-order item 26 when retro-fitting to chair
1	129639S	EXTENSION MOUNT ELR KIT L	Left-order item 26 when retro-fitting to chair
1	129637S	EXTENSION MOUNT ELR PAIR KIT	Pair-order item 26 when retro-fitting to chair
2,3,25	129640	ELR SHROUD KIT	Kit w/ 2 screws
3	127135	BHCS 8-32 X 1/2 BLK	
4	126992	HEMI ELR SUB ASSM	
5	560501	ALR REL LEVER COVER	
6	127114	HEMI RECEIVER ASSM ELR ALR R	Right
6	127115	HEMI RECEIVER ASSM ELR ALR L	Left
7	107350	SHCS 1/4-28 x 1/2	
8	127129	ANGLE STOP ELR	
9	107249	NUT HEX THIN 1/4-28	
10	106935	1/4-28 NYLOCK NUT THIN BLK ZN	
11	104414	WAVE WASHER 6 MM	
12	106961	BHCS 1/4 -28 x 1 1/4 ROHS	

Pos.	Item Number	Description	Remarks
13	108623	BHCS 1/4-28 x 1-1/2	
14	119495	EXTENSION CLAMP KIT	
15	010615	SQUARE END CAP CNTR LEG	
16	226217	5/16-18 X 2" BH C/S BLK	
17	561062	1" INSERT PLUG .065 RIBS	
18	226057	BHCS 10-24 X .725 PL	
20	561197	PLASTIC PIVOT SADDLE	
21	202102	5/16-18 NYLOCK NUT THIN	
23,24	881500	LATCH BLOCK ASSM R	Right
23,24	881501	LATCH BLOCK ASSM L	Left
25	113282	WASHER FLAT AN #10 ROHS	
18,19,22-24	881521	S/A LATCH KIT CASTING RIGHT	Right
18,19,22-24	881522	S/A LATCH KIT CASTING LEFT	Left
26	107491	LATCH STUD KIT	order qty 2 when retro-fitting to chair
		Ship assembled part #	Use with multiple assemblies
	ASSY-HNG-FP	HANGER/FOOTPLATE ASSY REQUIRED	add with Hanger & Footplate kit



Pos.	Item Number	Description	Remarks
1	106980	BHCS 5/16-18 X 1-1/4 ROHS	
2	755014	CALF PAD TROUGH STYLE 14"/16"	
3	221097	1/4-28 X 5/8 HEX C/S BZ	
4	561016	1" WASHER 5/16" HOLE	
5	881413	CALF PAD BRACKET ASSEMBLY	
6	106934	NUT NYLOCK 1/4-28 ROHS	
7	106937	NUT NYLOCK THIN 5/16-18	
1-7	881414	CALF PAD J-HOOK 14"-15" ASSEMBLY	
		Ship assembled part #	Use with multiple assemblies
	ASSY-HNG-FP	HANGER/FOOTPLATE ASSY REQUIRED	add with Hanger & Footplate kit

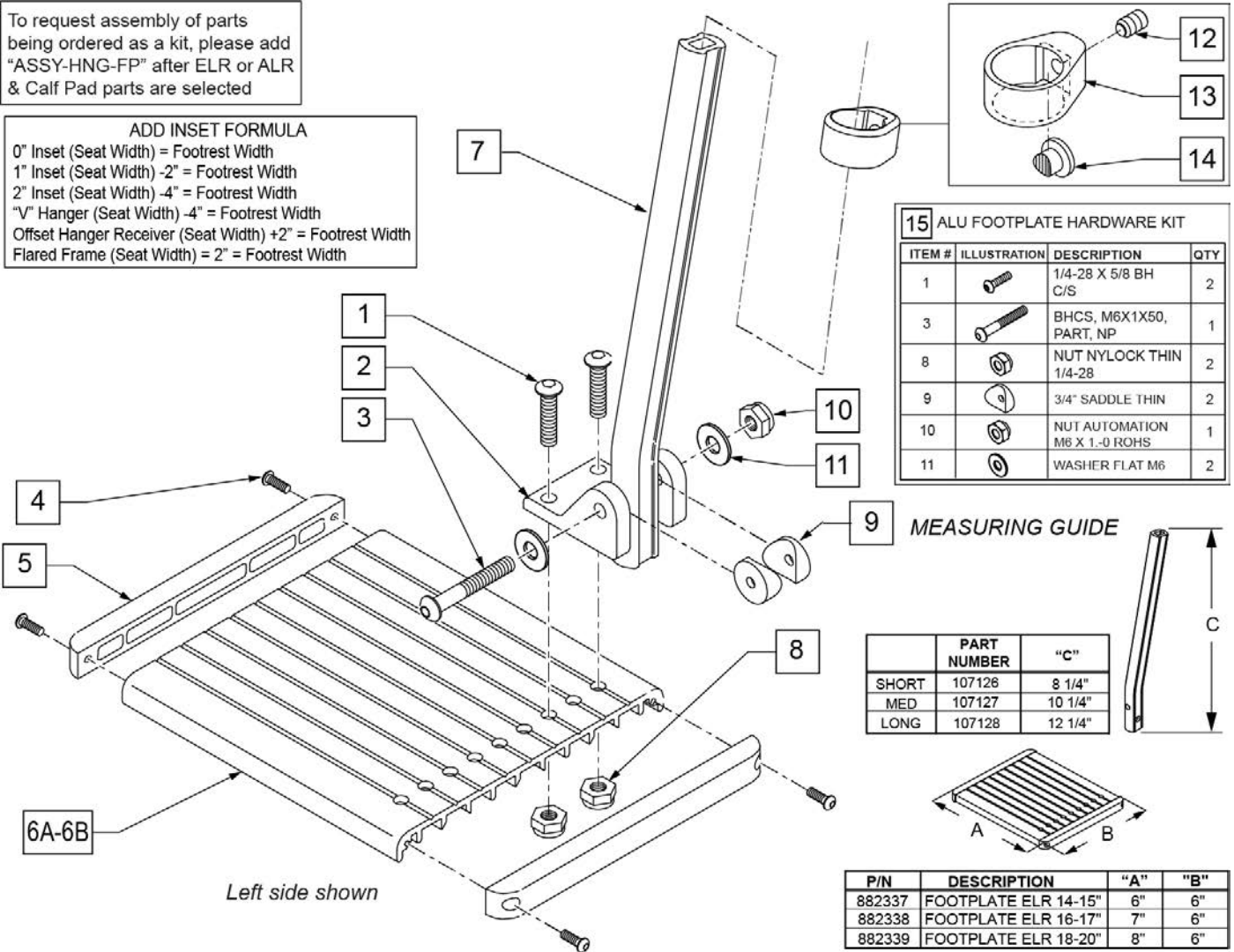


To request assembly of parts being ordered as a kit, please add "ASSY-HNG-FP" after ELR & Calf Pad parts are selected

Pos.	Item Number	Description	Remarks
1	106934	NUT NYLOCK 1/4-28 ROHS	
2A	107018	HHCS 5/16-18 X 2-1/2 ROHS	16"-17" wide only
2B	107019	HHCS 5/16-18 X 3-1/2 ROHS	18"-20" wide only
3	107013	HHCS 1/4-28 X 5/8 ROHS	
4	881413	CALF PAD BRACKET ASSEMBLY	
5	560199	ELR CALF HINGE SPACER	18"-20" wide only
6	560108	CALF PAD MOLDED 16"-20"	
7	106936	NUT NYLOCK 5/16-18 ROHS	
8	751045	CALF PAD COVER	
1,2A,3,4,6-8	881416	CALF MOLDED 16"-17" ASSEMBLY	
1,2B,3-7,8	881412	CALF PAD MOLDED 18"-20" ASSEMBLY	
		Ship assembled part #	Use with multiple assemblies
	ASSY-HNG-FP	HANGER/FOOTPLATE ASSY REQUIRED	add with Hanger & Footplate kit

To request assembly of parts being ordered as a kit, please add "ASSY-HNG-FP" after ELR or ALR & Calf Pad parts are selected

**ADD INSET FORMULA**  
 0" Inset (Seat Width) = Footrest Width  
 1" Inset (Seat Width) -2" = Footrest Width  
 2" Inset (Seat Width) -4" = Footrest Width  
 "V" Hanger (Seat Width) -4" = Footrest Width  
 Offset Hanger Receiver (Seat Width) +2" = Footrest Width  
 Flared Frame (Seat Width) = 2" = Footrest Width



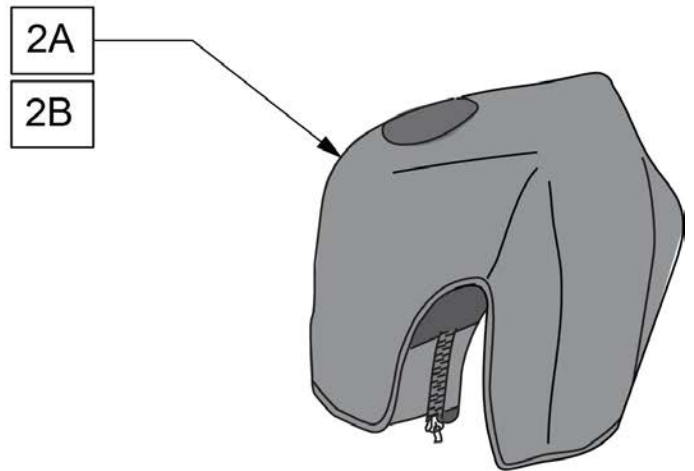
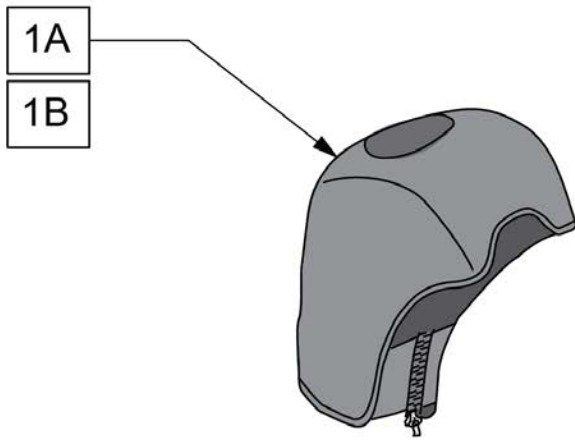
**15 ALU FOOTPLATE HARDWARE KIT**

ITEM #	ILLUSTRATION	DESCRIPTION	QTY
1		1/4-28 X 5/8 BH C/S	2
3		BHCS, M6X1X50, PART, NP	1
8		NUT NYLOCK THIN 1/4-28	2
9		3/4" SADDLE THIN	2
10		NUT AUTOMATION M6 X 1-0 ROHS	1
11		WASHER FLAT M6	2

Pos.	Item Number	Description	Remarks
1	226090	1/4-28 x 5/8 BH C/S	
2	118093	BRACKET FOOTPLATE ALUM	
3	102262-008	BHCS M6 X 1 X 50 INORGANIC	
4	281043	#4 x 5/8 PAN PHIL S/TAP	
5	560101	END CAPS FOOTREST	
7	107126	SHORT BENT	
7	107127	MED BENT	
7	107128	LONG BENT	
7	128078	TUBE FOOTREST EXT SHT HEMI	Use for Hemi Extension option
8	106935	1/4-28 NYLOCK NUT THIN	
9	561003	3/4" SADDLE THIN	
10	132626	NUT AUTOMATION M6 X 1.0	
11	107383	WASHER FLAT M6 ROHS	
4,5,6A	882337	ELR FOOTPLATE ASSEMBLY 14 -15"	
4,5,6B	882338	ELR FOOTPLATE ASSEMBLY 16 -17"	
4,5,6C	882339	ELR FOOTPLATE ASSEMBLY 18 -20"	
12-14	119495	EXTENSION CLAMP KIT	
15	129775	ALU FOOTPLATE HDWARE KIT	Ext tube not included; bracket (118093) not included

<b>Pos.</b>	<b>Item Number</b>	<b>Description</b>	<b>Remarks</b>
		Ship assembled part #	Use with multiple assemblies
	ASSY-HNG-FP	HANGER/FOOTPLATE ASSY REQUIRED	add with Hanger & Footplate kit

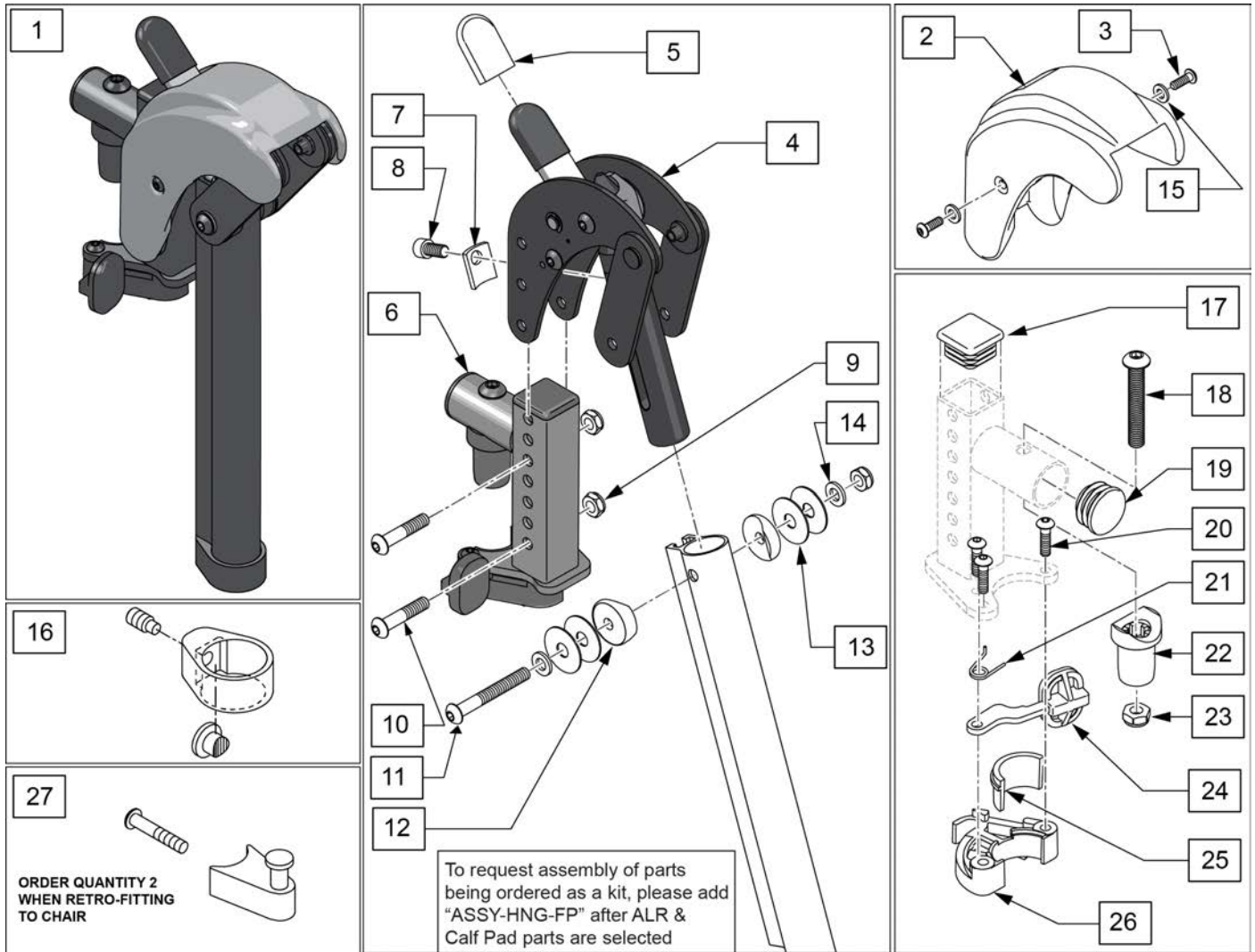
Note: For installation instructions please see the informations section to the right of this parts page.



Pos.	Item Number	Description	Remarks
1A	163881	ELR NEOPRENE COVER PR	Pair
1B	163882	ELR GEL COVER PR	Pair
2A	163883	ALR NEOPRENE COVER PR	Pair
2B	163884	ALR GEL COVER PR	Pair

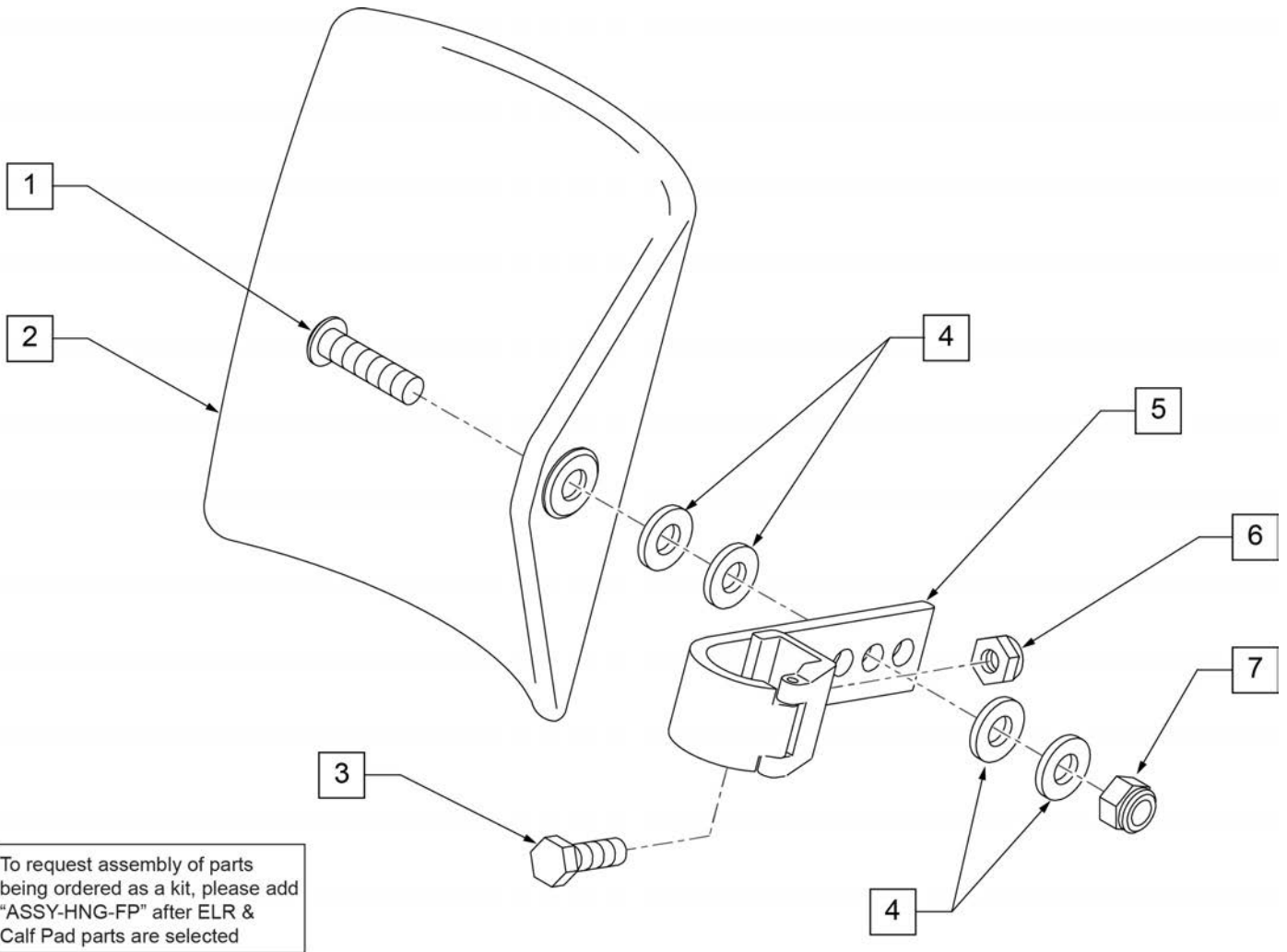


Note: When retrofitting ALR to a chair with S/A Hangers please order Qty 2 of p/n 107491 (Item 27).

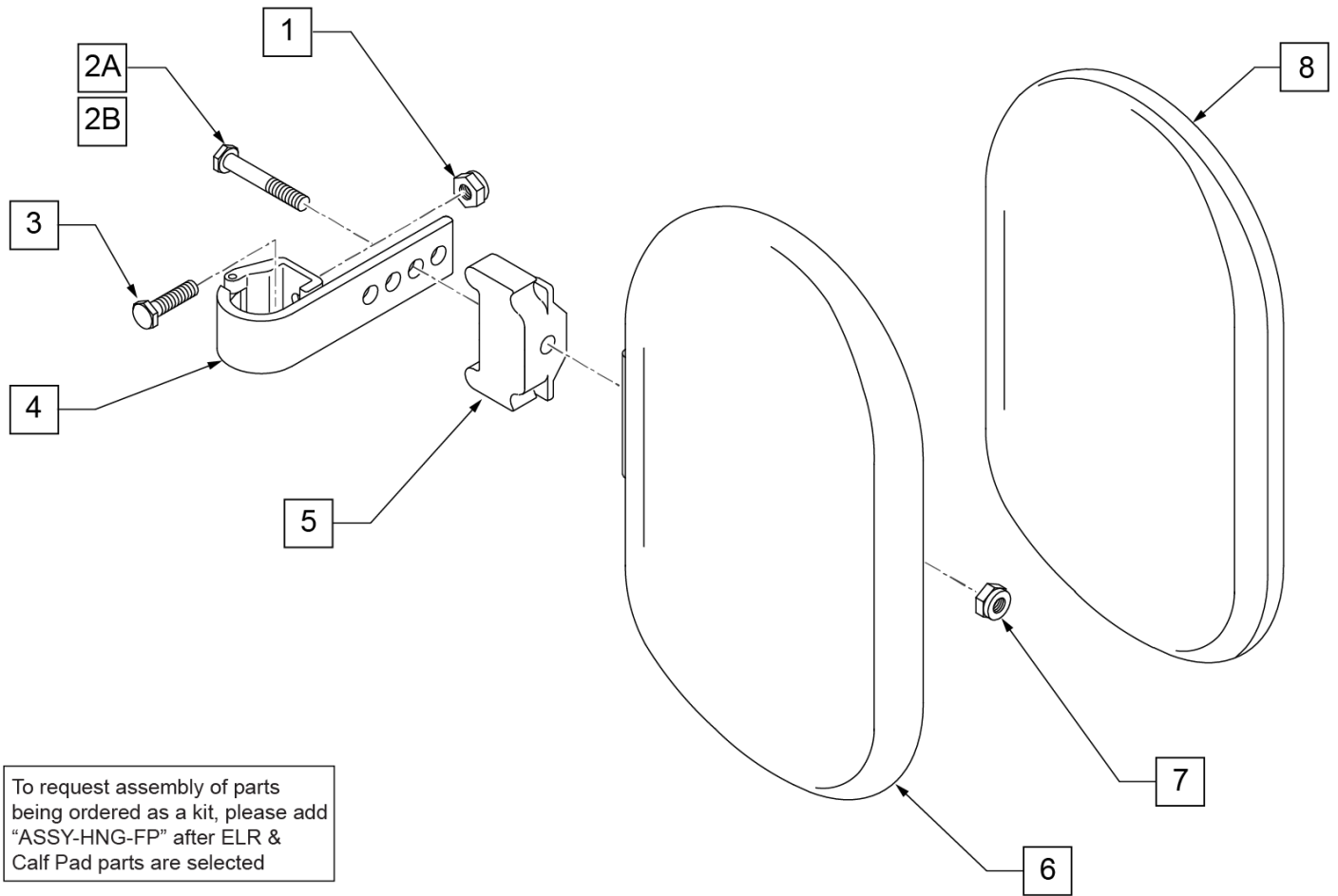


Pos.	Item Number	Description	Remarks
1	129631S	ALR KIT R	Right-order item 27 when retro-fitting to chair
1	129632S	ALR KIT L	Left-order item 27 when retro-fitting to chair
1	129630S	ALR PAIR KIT	Pair-order item 27 when retro-fitting to chair
2,3,15	129633	ALR SHROUD KIT	1 side
3	127135	BHCS 8-32 X 1/2 BLK	
4	127153	HEMI ALR SUB ASSM	
5	560501	ALR REL LEVER COVER	
6	127114	HEMI RECEIVER ASSM ELR ALR R	Right
6	127115	HEMI RECEIVER ASSM ELR ALR L	Left
7	127129	ANGLE STOP ELR	
8	107350	SHCS 1/4-28 x 1/2	
9	106935	1/4-28 NYLOCK NUT THIN BLK ZN	
10	108623	BHCS 1/4-28 x 1-1/2	
11	106964	BHCS 1/4-28 X 2	
12	561086	1" HALF SADDLE 1/4" HOLE	

Pos.	Item Number	Description	Remarks
13	113268	WASHER NYLON 1IN OD X .312 ID	
14	106943	WASHER FLAT AN 1/4 ROHS	
15	113282	WASHER FLAT AN #10 ROHS	
16	119495	EXTENSION CLAMP KIT	
17	010615	SQUARE END CAP CNTR LEG	
18	226217	5/16-18 X 2" BH C/S BLK	
19	561062	1" INSERT PLUG .065 RIBS	
20	226057	BHCS 10-24 X .725 PL	
22	561197	PLASTIC PIVOT SADDLE	
23	202102	5/16-18 NYLOCK NUT THIN	
25,26	881500	LATCH BLOCK ASSM R	Right
25,26	881501	LATCH BLOCK ASSM L	Left
20,21,24-26	881521	S/A LATCH KIT CASTING RIGHT	Right
20,21,24-26	881522	S/A LATCH KIT CASTING LEFT	Left
27	107491	LATCH STUD KIT	order qty 2 when retro-fitting to chair
		Ship assembled part #	Use with multiple assemblies
	ASSY-HNG-FP	HANGER/FOOTPLATE ASSY REQUIRED	add with Hanger & Footplate kit



Pos.	Item Number	Description	Remarks
1	106980	BHCS 5/16-18 X 1-1/4 ROHS	
2	755014	CALF PAD TROUGH STYLE 14"/16"	
3	221097	1/4-28 X 5/8 HEX C/S BZ	
4	561016	1" WASHER 5/16" HOLE	
5	881413	CALF PAD BRACKET ASSEMBLY	
6	106934	NUT NYLOCK 1/4-28 ROHS	
7	106937	NUT NYLOCK THIN 5/16-18	
1-7	881414	CALF PAD J-HOOK 14"-15" ASSEMBLY	
		Ship assembled part #	Use with multiple assemblies
	ASSY-HNG-FP	HANGER/FOOTPLATE ASSY REQUIRED	add with Hanger & Footplate kit



Pos.	Item Number	Description	Remarks
1	106934	NUT NYLOCK 1/4-28 ROHS	
2A	107018	HHCS 5/16-18 X 2-1/2 ROHS	16"-17" wide only
2B	107019	HHCS 5/16-18 X 3-1/2 ROHS	18"-20" wide only
3	107013	HHCS 1/4-28 X 5/8 ROHS	
4	881413	CALF PAD BRACKET ASSEMBLY	
5	560199	ELR CALF HINGE SPACER	18"-20" wide only
6	560108	CALF PAD MOLDED 16"-20"	
7	106936	NUT NYLOCK 5/16-18 ROHS	
8	751045	CALF PAD COVER	
1,2A,3,4,6-8	881416	CALF MOLDED 16"-17" ASSEMBLY	
1,2B,3-7,8	881412	CALF PAD MOLDED 18"-20" ASSEMBLY	
		Ship assembled part #	Use with multiple assemblies
	ASSY-HNG-FP	HANGER/FOOTPLATE ASSY REQUIRED	add with Hanger & Footplate kit

**Note:** Footplate Assemblies are set to footrest width; please see "Footplate Formula" table for seat width conversion.

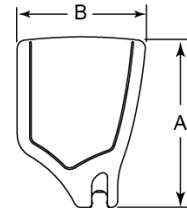
Note: If using Short Ext Tube & Hemi Hanger with Composite Angle Adjustable Footplate use 1D (straight) .

Note: V Style Hangers are not available on Swing Away Style chairs effective 7/14/14; see the "Prior To" ordering guide for V Style footplate assemblies.

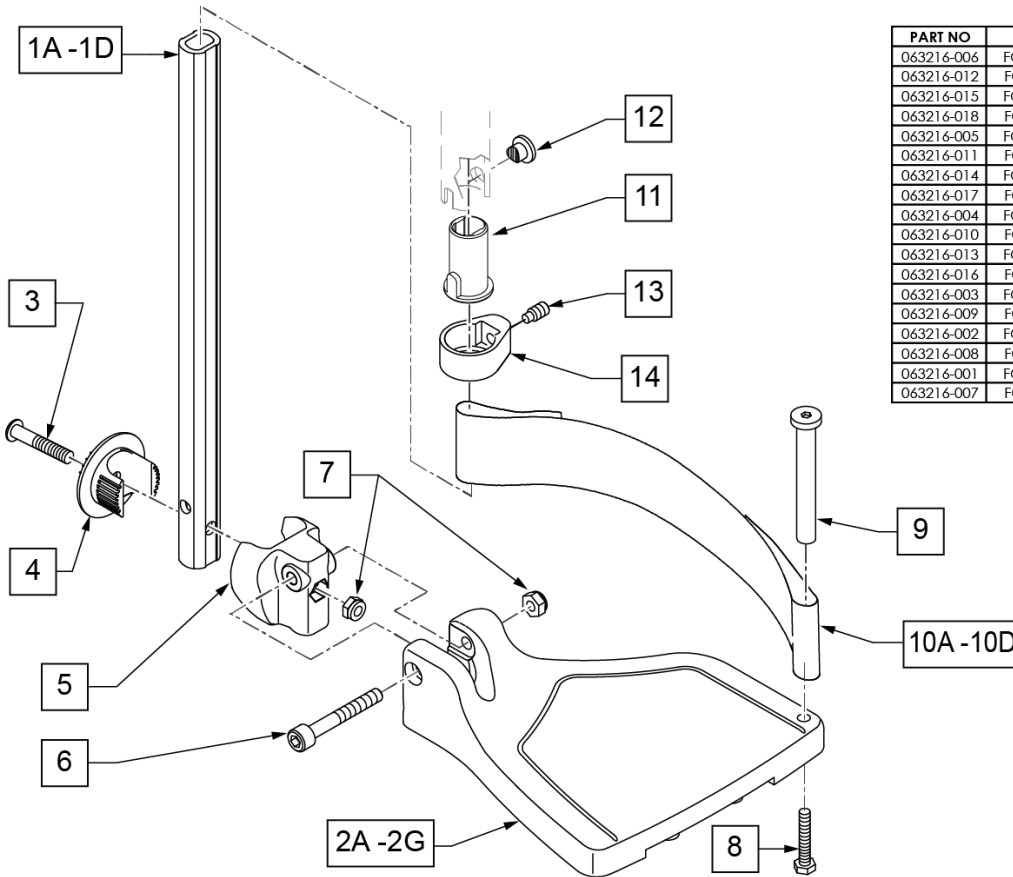
To have complete Footrest ship assembled, choose compatible Hanger + Footplate part numbers and add "ASSY-HNG-FP" to order

**ADD INSET FORMULA**  
 0" Inset (Seat Width) = Footrest Width  
 1" Inset (Seat Width) -2" = Footrest Width  
 2" Inset (Seat Width) -4" = Footrest Width  
 "V" Hanger (Seat Width) -4" = Footrest Width  
 Offset Hanger Receiver (Seat Width) +2" = Footrest Width  
 Flared Frame (Seat Width) = 2" = Footrest Width

**FOOTPLATE MEASURING GUIDE**



PART NO	DESCRIPTION	DIM -A-	DIM -B-
063216-006	FOOTPLATE COMPOSITE 157 R	6 1/8"	6"
063216-012	FOOTPLATE COMPOSITE 157 L	6 1/8"	6"
063216-015	FOOTPLATE COMPOSITE 170 R	6 5/8"	6"
063216-018	FOOTPLATE COMPOSITE 170 L	6 5/8"	6"
063216-005	FOOTPLATE COMPOSITE 182 R	7 1/8"	6"
063216-011	FOOTPLATE COMPOSITE 182 L	7 1/8"	6"
063216-014	FOOTPLATE COMPOSITE 195 R	7 5/8"	6"
063216-017	FOOTPLATE COMPOSITE 195 L	7 5/8"	6"
063216-004	FOOTPLATE COMPOSITE 207 R	8 1/8"	6"
063216-010	FOOTPLATE COMPOSITE 207 L	8 1/8"	6"
063216-013	FOOTPLATE COMPOSITE 220 R	8 5/8"	6 1/4"
063216-016	FOOTPLATE COMPOSITE 220 L	8 5/8"	6 1/4"
063216-003	FOOTPLATE COMPOSITE 232 R	9 1/8"	6 1/4"
063216-009	FOOTPLATE COMPOSITE 232 L	9 1/8"	6 1/4"
063216-002	FOOTPLATE COMPOSITE 257 R	10 1/8"	6 1/4"
063216-008	FOOTPLATE COMPOSITE 257 L	10 1/8"	6 1/4"
063216-001	FOOTPLATE COMPOSITE 282 R	11 1/8"	6 1/4"
063216-007	FOOTPLATE COMPOSITE 282 L	11 1/8"	6 1/4"



Pos.	Item Number	Description	Remarks
1A,6,7	120660	SHT STRT EXT COMP HDWR	
1B,6,7	120661	MED STRT EXT COMP HDWR	
1C,6,7	120662	LNG STRT EXT COMP HDWR	
1D	128079	TUBE FTRST EXT STRGHT SHT HEMI	Use for Hemi Ext Tube option
2A	063216-006	COMPOSITE FOOTPLATE RIGHT	RIGHT 15" Footrest Width

Pos.	Item Number	Description	Remarks
2A	063216-012	COMPOSITE FOOTPLATE LEFT	LEFT 15" Footrest Width
2B	063216-015	COMPOSITE FOOTPLATE RIGHT	RIGHT 16" Footrest Width
2B	063216-018	COMPOSITE FOOTPLATE LEFT	LEFT 16" Footrest Width
2C	063216-005	COMPOSITE FOOTPLATE RIGHT	RIGHT 17" Footrest Width
2C	063216-011	COMPOSITE FOOTPLATE LEFT	LEFT 17" Footrest Width
2D	063216-014	COMPOSITE FOOTPLATE RIGHT	RIGHT 18" Footrest Width
2D	063216-017	COMPOSITE FOOTPLATE LEFT	LEFT 18" Footrest Width
2E	063216-004	COMPOSITE FOOTPLATE RIGHT	RIGHT 19" Footrest Width
2E	063216-010	COMPOSITE FOOTPLATE LEFT	LEFT 19" Footrest Width
2F	063216-013	COMPOSITE FOOTPLATE RIGHT	RIGHT 20" Footrest Width
2F	063216-016	COMPOSITE FOOTPLATE LEFT	LEFT 20" Footrest Width
2G	063216-003	COMPOSITE FOOTPLATE RIGHT	RIGHT 21" & 22" Footrest Width
2G	063216-009	COMPOSITE FOOTPLATE LEFT	LEFT 21" & 22" Footrest Width
3	108233	BHCS M6 X 1 X 40	
4	054242	ANGLE COVER	
5	054241	ANGLE SEGMENT	
6	103175	SHCS M6 X 1 X 40 INORG	
7	132626	NUT AUTOMATION M6 X 1.0	
8	102268-001	HHCS M6X1X25	Inserted in bottom of footplate.
9	104328	HEEL LOOP PEG	
10A	104380-001	ADJUSTABLE FOOT REST STRAP	15" Footrest Width
10B	104380-002	ADJUSTABLE FOOT REST STRAP	16" Footrest Width
10C	104380-003	ADJUSTABLE FOOT REST STRAP	17-18" Footrest Width
10D	104380-004	ADJUSTABLE FOOT REST STRAP	19-22" Footrest Width
11	104160	BUSHING FOOTREST	
11-14	107485	FOOTREST CLAMP ASSM	
>>>>		60,70,80 HANGERS - SHORT EXT - RIGHT	
1A,2A,3-10A	107816	CAA STRT SHT EXT ASM 15W R	Right- 15 W- SHORT
1A,2B,3-10B	107817	CAA STRT SHT EXT ASM 16W R	Right- 16 W- SHORT
1A,2C,3-10B	107818	CAA STRT SHT EXT ASM 17W R	Right- 17 W- SHORT
1A,2D,3-10C	107819	CAA STRT SHT EXT ASM 18W R	Right- 18 W- SHORT
1A,2E,3-10C	107820	CAA STRT SHT EXT ASM 19W R	Right- 19 W- SHORT
1A,2F,3-10D	107821	CAA STRT SHT EXT ASM 20W R	Right- 20 W- SHORT
1A,2G,3-10D	107822	CAA STRT SHT EXT ASM 21&22W R	Right- 21&22 W- SHORT
>>>>		60,70,80 HANGERS - SHORT EXT - LEFT	
1A,2A,3-10A	107823	CAA STRT SHT EXT ASM 15W L	Left- 15 W- SHORT
1A,2B,3-10B	107824	CAA STRT SHT EXT ASM 16W L	Left- 16 W- SHORT
1A,2C,3-10B	107825	CAA STRT SHT EXT ASM 17W L	Left- 17 W- SHORT
1A,2D,3-10C	107826	CAA STRT SHT EXT ASM 18W L	Left- 18 W- SHORT
1A,2E,3-10C	107827	CAA STRT SHT EXT ASM 19W L	Left- 19 W- SHORT
1A,2F,3-10D	107828	CAA STRT SHT EXT ASM 20W L	Left- 20 W- SHORT
1A,2G,3-10D	107829	CAA STRT SHT EXT ASM 21&22W L	Left- 21&22 W- SHORT
>>>>		60,70,80& 60,70 HEMI HANGER- RIGHT	
1B,2A,3-10A	107830	CAA STRT MED EXT ASM 15W R	Right- 15 W- MED
1B,2B,3-10B	107831	CAA STRT MED EXT ASM 16W R	Right- 16 W- MED
1B,2C,3-10B	107832	CAA STRT MED EXT ASM 17W R	Right- 17 W- MED
1B,2D,3-10C	107833	CAA STRT MED EXT ASM 18W R	Right- 18 W- MED
1B,2E,3-10C	107834	CAA STRT MED EXT ASM 19W R	Right- 19 W- MED
1B,2F,3-10D	107835	CAA STRT MED EXT ASM 20W R	Right- 20 W- MED
1B,2G,3-10D	107836	CAA STRT MED EXT ASM 21&22W R	Right- 21&22 W- MED
>>>>		60,70,80& 60,70 HEMI HANGER- LEFT	
1B,2A,3-10A	107837	CAA STRT MED EXT ASM 15W L	Left- 15 W- MED
1B,2B,3-10B	107838	CAA STRT MED EXT ASM 16W L	Left- 16 W- MED
1B,2C,3-10B	107839	CAA STRT MED EXT ASM 17W L	Left- 17 W- MED
1B,2D,3-10C	107840	CAA STRT MED EXT ASM 18W L	Left- 18 W- MED
1B,2E,3-10C	107841	CAA STRT MED EXT ASM 19W L	Left- 19 W- MED
1B,2F,3-10D	107842	CAA STRT MED EXT ASM 20W L	Left- 20 W- MED

Pos.	Item Number	Description	Remarks
1B,2G,3-10D	107843	CAA STRT MED EXT ASM 21&22W L	Left- 21&22 W- MED
>>>>		60,70,80& 60,70 HEMI HANGER- RIGHT	
1C,2A,3-10A	107844	CAA STRT LNG EXT ASM 15W R	Right- 15 W- LONG
1C,2B,3-10B	107845	CAA STRT LNG EXT ASM 16W R	Right- 16 W- LONG
1C,2C,3-10B	107846	CAA STRT LNG EXT ASM 17W R	Right- 17 W- LONG
1C,2D,3-10C	107847	CAA STRT LNG EXT ASM 18W R	Right- 18 W- LONG
1C,2E,3-10C	107848	CAA STRT LNG EXT ASM 19W R	Right- 19 W- LONG
1C,2F,3-10D	107849	CAA STRT LNG EXT ASM 20W R	Right- 20 W- LONG
1C,2G,3-10D	107850	CAA STRT LNG EXT ASM 21&22W R	Right- 21&22 W- LONG
>>>>		60,70,80& 60,70 HEMI HANGER- LEFT	
1C,2A,3-10A	107851	CAA STRT LNG EXT ASM 15W L	Left- 15 W- LONG
1C,2B,3-10B	107852	CAA STRT LNG EXT ASM 16W L	Left- 16 W- LONG
1C,2C,3-10B	107853	CAA STRT LNG EXT ASM 17W L	Left- 17 W- LONG
1C,2D,3-10C	107854	CAA STRT LNG EXT ASM 18W L	Left- 18 W- LONG
1C,2E,3-10C	107855	CAA STRT LNG EXT ASM 19W L	Left- 19 W- LONG
1C,2F,3-10D	107856	CAA STRT LNG EXT ASM 20W L	Left- 20 W- LONG
1C,2G,3-10D	107857	CAA STRT LNG EXT ASM 21&22W L	Left- 21&22 W- LONG
>>>>		60&70 HEMI HANGERS- SHORT EXT- RIGHT	
1D,2A,3-10A	129710	CAA FOOT KIT SHT HNGR 15W R	Right-Hemi-15W; add Ext behind the Hemi
1D,2B,3-10B	129712	CAA FOOT KIT SHT HNGR 16W R	Right-Hemi-16W; add Ext behind the Hemi
1D,2C,3-10B	129714	CAA FOOT KIT SHT HNGR 17W R	Right-Hemi-17W; add Ext behind the Hemi
1D,2D,3-10C	129716	CAA FOOT KIT SHT HNGR 18W R	Right-Hemi-18W; add Ext behind the Hemi
1D,2E,3-10C	129718	CAA FOOT KIT SHT HNGR 19W R	Right-Hemi-19W; add Ext behind the Hemi
1D,2F,3-10D	129720	CAA FOOT KIT SHT HNGR 20W R	Right-Hemi-20W; add Ext behind the Hemi
1D,2G,3-10D	129722	CAA FOOT KIT SHT HNGR 22W R	Right-Hemi-21&22W; add Ext behind the Hemi
>>>>		60&70 HEMI HANGERS- SHORT EXT - LEFT	
1D,2A,3-10A	129711	CAA FOOT KIT SHT HNGR 15W L	Left-Hemi-15W; add Ext behind the Hemi
1D,2B,3-10B	129713	CAA FOOT KIT SHT HNGR 16W L	Left-Hemi-16W; add Ext behind the Hemi
1D,2C,3-10B	129715	CAA FOOT KIT SHT HNGR 17W L	Left-Hemi-17W; add Ext behind the Hemi
1D,2D,3-10C	129717	CAA FOOT KIT SHT HNGR 18W L	Left-Hemi-18W; add Ext behind the Hemi
1D,2E,3-10C	129719	CAA FOOT KIT SHT HNGR 19W L	Left-Hemi-19W; add Ext behind the Hemi
1D,2F,3-10D	129721	CAA FOOT KIT SHT HNGR 20W L	Left-Hemi-20W; add Ext behind the Hemi
1D,2G,3-10D	129723	CAA FOOT KIT SHT HNGR 22W L	Left-Hemi-21&22W; add Ext behind the Hemi
		Ship assembled part #	Use with multiple assemblies
	ASSY-HNG-FP	HANGER/FOOTPLATE ASSY REQUIRED	add with Hanger & Footplate kit

**Note:** Footplate Assemblies are set to footrest width; please see "Footplate Formula" table for seat width conversion.

Note: If using Short Ext Tube & Hemi Hanger with Adult Angle Adjustable Footplate use 1D (straight) .

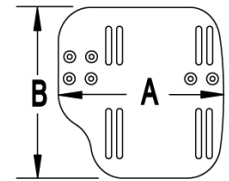
Note: V Style Hangers are not available on Swing Away Style chairs effective 7/14/14; see the "Prior To" ordering guide for V Style footplate assemblies.

Note: for QX Series or SR45 footplate replacement parts see the ordering guide marked specifically for these two models in the informations panel.

Note: if chair has High Mount Ext Tubes or if switching to High Mount Ext Tubes, see AAA Footplate w/ High Mount Extension Ordering Guide.



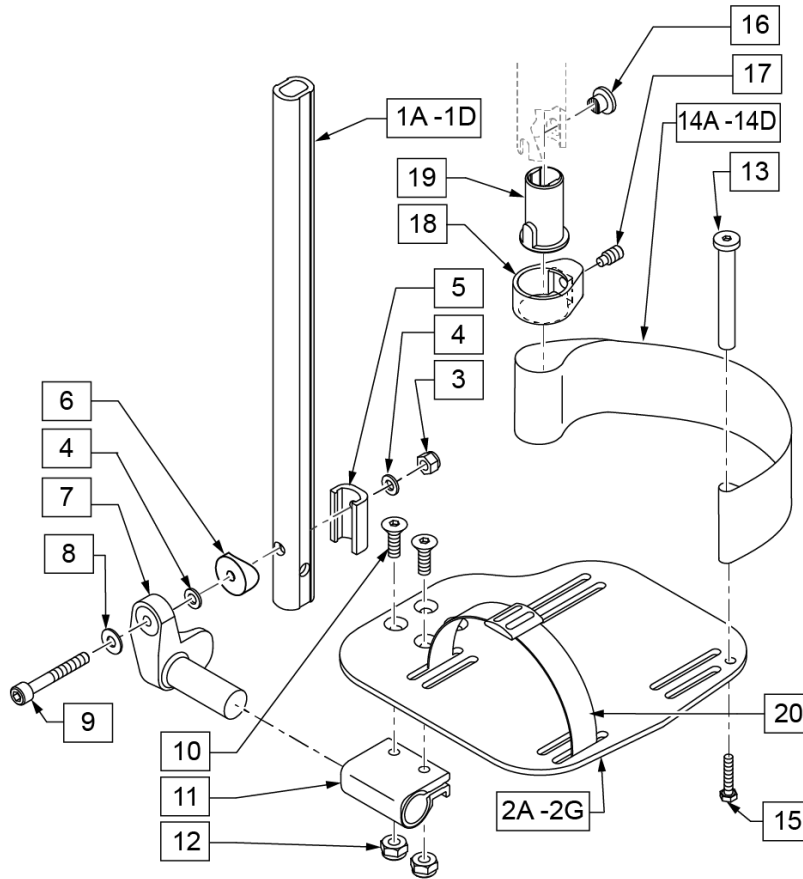
MEASURING GUIDE



CHAIR WIDTH	"A"	"B"
10" - 11"	3 1/2"	7 1/4"
12" - 13"	4 1/2"	7 3/4"
14" - 15"	5 1/2"	7 3/4"
16" - 17"	6 1/2"	7 3/4"
18" - 20"	7 1/2"	7 3/4"

To have complete Footrest ship assembled, choose compatible Hanger + Footplate part numbers and add "ASSY-HNG-FP" to order

**ADD INSET FORMULA**  
 0" Inset (Seat Width) = Footrest Width  
 1" Inset (Seat Width) -2" = Footrest Width  
 2" Inset (Seat Width) -4" = Footrest Width  
 "V" Hanger (Seat Width) -4" = Footrest Width  
 Offset Hanger Receiver (Seat Width) +2" = Footrest Width  
 Flared Frame (Seat Width) = 2" = Footrest Width



21 EXT MNT HARDWARE 1 SIDE			
ITEM #	ILLUSTRATION	DESCRIPTION	QTY
3		NUT AUTOMATION M6 X 1.0 ROHS	1
4		WASHER FLAT THIN AN 1/4	2
5		HANGER EXTENSION SADDLE	1
6		3/4" SADDLE 1" OD	1
8		WASHER FLAT SAE 1/4 ROHS	1
9		SHCS M6X1X45 12MM PART THD	1

Pos.	Item Number	Description	Remarks
1A,3-6,8,9	120670	SHT STRT EXT AAA HDWR	
1B,3-6,8,9	120671	MED STRT EXT AAA HDWR	
1C,3-6,8,9	120672	LNG STRT EXT AAA HDWR	
1D	128079	TUBE FTRST EXT STRGHT SHT HEMI	Use for Hemi Ext Tube option
2A	500656	ADULT ANG ADJ F/PLT 10/11" R	RIGHT 10-11" Footrest Width
2A	500657	ADULT ANG ADJ F/PLT 10/11" L	LEFT 10-11" Footrest Width
2B	500658	ADULT ANG ADJ F/PLT 12/13" R	RIGHT 12-13" Footrest Width
2B	500659	ADULT ANG ADJ F/PLT 12/13" L	LEFT 12-13" Footrest Width
2C	500660	ADLT ANGL ADJ F/PLT 14/15	RIGHT 14-15" Footrest Width
2C	500661	ADLT ANGL ADJ F/PLT 14/15	LEFT 14-15" Footrest Width
2D	500662	ADLT ANGL ADJ F/PLT 16/17	RIGHT 16-17" Footrest Width
2D	500663	ADLT ANGL ADJ F/PLT 16/17	LEFT 16-17" Footrest Width
2E	500664	ADLT ANGL ADJ F/PLT 18-20	RIGHT 18-22" Footrest Width
2E	500665	ADLT ANGL ADJ F/PLT 18-20	LEFT 18-22" Footrest Width
3	132626	NUT AUTOMATION M6 X 1.0	
4	106944	WASHER FLAT THIN AN 1/4 ROHS	
5	107199	HANGER EXTENSION SADDLE	
6	104377	3/4" SADDLE THIN	
7	541002	FTRST MOUNTING BRKT-3/8 RAD R	RIGHT
7	541003	FTRST MOUNTING BRKT-3/8 RAD L	LEFT

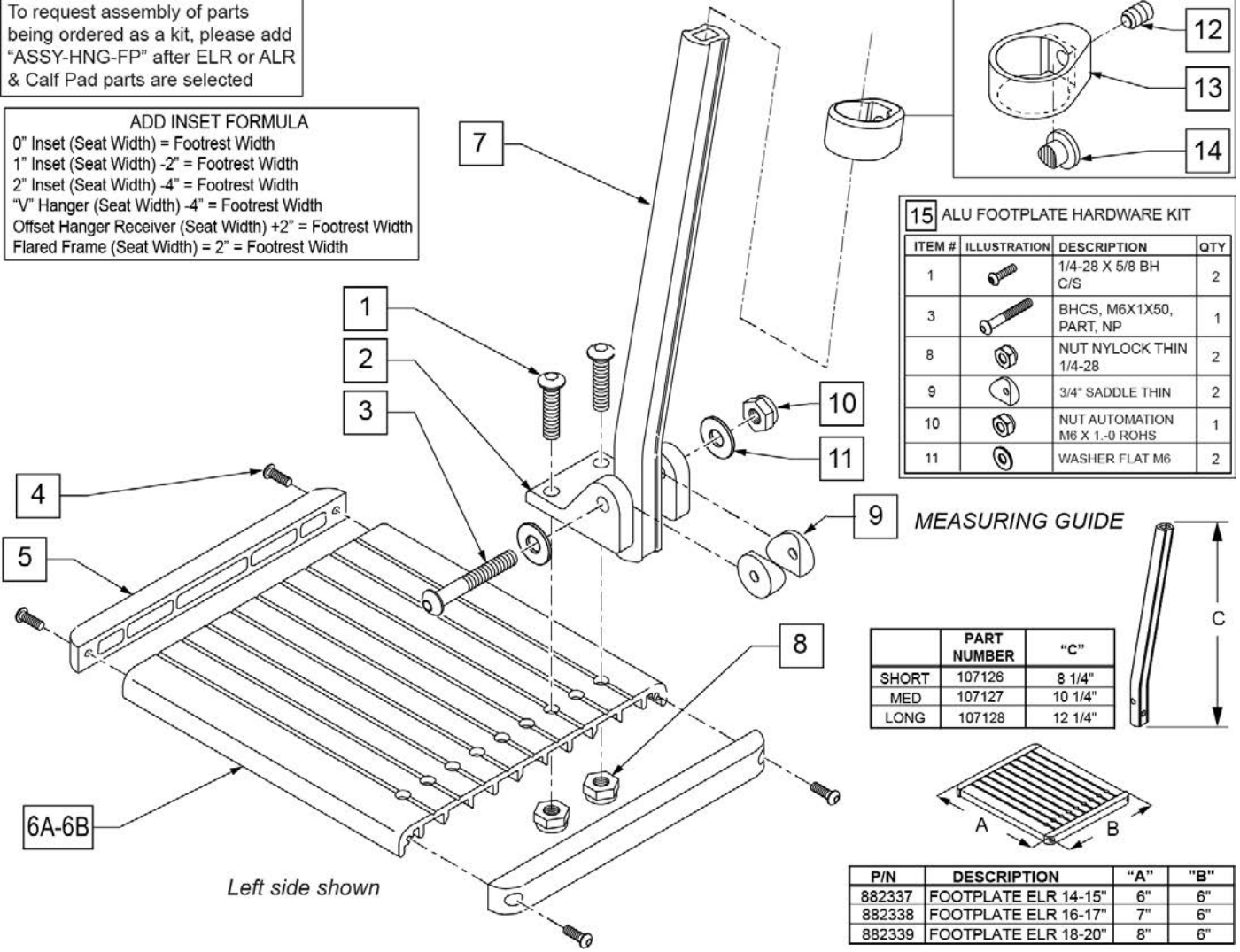
Pos.	Item Number	Description	Remarks
8	106945	WASHER FLAT SAE 1/4 ROHS	
9	104399	SHCS M6X1X45 12 MM PART THD	
10	106978	FHCS 1/4-28 X 7/8 ROHS	
11	550350	3/4" CLMP ADJ FT PLT	
12	106935	NUT NYLOCK THIN 1/4-28 ROHS	
13	104328	POST HEEL LOOP	
14A	104380-001	ADJUSTABLE FOOT REST STRAP	12 - 14" WIDE
14B	104380-002	ADJUSTABLE FOOT REST STRAP	15 - 16" WIDE
14C	104380-003	ADJUSTABLE FOOT REST STRAP	17 - 18" WIDE
14D	104380-004	ADJUSTABLE FOOT REST STRAP	19 - 20" WIDE
15	102268-001	HHCS M6 X 1 X 25	
16-19	107485	FOOTREST CLAMP ASSM	
20	740260	TOE-ANKLE STRAP ADJ ADULT FOOTPLATE	
21	120659	EXT MNT HARDWARE 1 SIDE	
>>>>		60,70,80 STD HANGERS - RIGHT	
1A,2B,3-14A,15	111534	AAA STRT SHT EXT ASM 12-13" W R	Right- 12-13" W- SHORT
1A,2C,3-14B,15	107928	AAA STRT SHT EXT ASM 14-15" W R	Right- 14-15" W- SHORT
1A,2D,3-14C,15	107930	AAA STRT SHT EXT ASM 16-17" W R	Right- 16-17" W- SHORT
1A,2E,3-14D,15	107932	AAA STRT SHT EXT ASM 18-22" W R	Right- 18-22" W- SHORT
>>>>		60,70,80 STD HANGERS - LEFT	
1A,2B,3-14A,15	111535	AAA STRT SHT EXT ASM 12-13" W L	Left- 12-13" W- SHORT
1A,2C,3-14B,15	107935	AAA STRT SHT EXT ASM 14" W L	Left- 14-15" W- SHORT
1A,2D,3-14C,15	107937	AAA STRT SHT EXT ASM 16" W L	Left- 16-17" W- SHORT
1A,2E,3-14D,15	107939	AAA STRT SHT EXT ASM 18" W L	Left- 18-22" W- SHORT
>>>>		60,70,80 & 60,70 HEMI HANGERS - RIGHT	
1B,2B,3-14A,15	111536	AAA STRT MED EXT ASM 12-13" W R	Right- 12-13" W- MED
1B,2C,3-14B,15	107942	AAA STRT MED EXT ASM 14-15" W R	Right- 14-15" W- MED
1B,2D,3-14C,15	107944	AAA STRT MED EXT ASM 16-17" W R	Right- 16-17" W- MED
1B,2E,3-14D,15	107946	AAA STRT MED EXT ASM 18-22" W R	Right- 18-22" W- MED
>>>>		60,70,80 & 60,70 HEMI HANGERS - LEFT	
1B,2B,3-14A,15	111537	AAA STRT MED EXT ASM 12-13" W L	Left- 12-13" W- MED
1B,2C,3-14B,15	107949	AAA STRT MED EXT ASM 14" W L	Left- 14-15" W- MED
1B,2D,3-14C,15	107951	AAA STRT MED EXT ASM 16" W L	Left- 16-17" W- MED
1B,2E,3-14D,15	107953	AAA STRT MED EXT ASM 18" W L	Left- 18-22" W- MED
>>>>		60,70,80 & 60,70 HEMI HANGERS - RIGHT	
1C,2B,3-14A,15	111538	AAA STRT LNG EXT ASM 12-13" W R	Right- 12-13" W- LONG
1C,2C,3-14B,15	107956	AAA STRT LNG EXT ASM 14 -15" W R	Right- 14-15" W- LONG
1C,2D,3-14C,15	107958	AAA STRT LNG EXT ASM 16 -17" W R	Right- 16-17" W- LONG
1C,2E,3-14D,15	107960	AAA STRT LNG EXT ASM 18 -22" W R	Right- 18-22" W- LONG
>>>>		60,70,80 & 60,70 HEMI HANGERS - LEFT	
1C,2B,3-14A,15	111539	AAA STRT LNG EXT ASM 12-13" W L	Left- 12-13" W- LONG
1C,2C,3-14B,15	107963	AAA STRT LNG EXT ASM 14W L	Left- 14-15" W- LONG
1C,2D,3-14C,15	107965	AAA STRT LNG EXT ASM 16W L	Left- 16-17" W- LONG
1C,2E,3-14D,15	107968	AAA STRT LNG EXT ASM 18W L	Left- 18-22" W- LONG
>>>>		60&70 HEMI HANGERS - SHORT EXT - RIGHT	
1D,2B,3-14A,15	129756	AAA FOOT KIT SHT HNGR 12W R	Right- 12-13" W- SHORT; add Ext behind the Hemi
1D,2C,3-14B,15	129758	AAA FOOT KIT SHT HNGR 14W R	Right- 14-15" W- SHORT; add Ext behind the Hemi
1D,2D,3-14C,15	129760	AAA FOOT KIT SHT HNGR 16W R	Right- 16-17" W- SHORT; add Ext behind the Hemi
1D,2E,3-14D,15	129762	AAA FOOT KIT SHT HNGR 18W R	Right- 18-22" W- SHORT; add Ext behind the Hemi
>>>>		60&70 HEMI HANGERS - SHORT EXT -LEFT	
1D,2B,3-14A,15	129757	AAA FOOT KIT SHT HNGR 12W L	Left- 12-13" W-SHORT; add Ext behind the Hemi
1D,2C,3-14B,15	129759	AAA FOOT KIT SHT HNGR 14W L	Left- 14-15" W- SHORT; add Ext behind the Hemi
1D,2D,3-14C,15	129761	AAA FOOT KIT SHT HNGR 16W L	Left- 16-17" W- SHORT; add Ext behind the Hemi
1D,2E,3-14D,15	129763	AAA FOOT KIT SHT HNGR 18W L	Left- 18-22" W- SHORT; add Ext behind the Hemi
		Ship assembled part #	Use with multiple assemblies
	ASSY-HNG-FP	HANGER/FOOTPLATE ASSY REQUIRED	add with Hanger & Footplate kit

ELR/ALR ALUMINUM FOOTPLATE

(02/11/2020)

To request assembly of parts being ordered as a kit, please add "ASSY-HNG-FP" after ELR or ALR & Calf Pad parts are selected

ADD INSET FORMULA  
 0" Inset (Seat Width) = Footrest Width  
 1" Inset (Seat Width) -2" = Footrest Width  
 2" Inset (Seat Width) -4" = Footrest Width  
 "V" Hanger (Seat Width) -4" = Footrest Width  
 Offset Hanger Receiver (Seat Width) +2" = Footrest Width  
 Flared Frame (Seat Width) = 2" = Footrest Width



**15 ALU FOOTPLATE HARDWARE KIT**

ITEM #	ILLUSTRATION	DESCRIPTION	QTY
1		1/4-28 X 5/8 BH C/S	2
3		BHCS, M6X1X50, PART, NP	1
8		NUT NYLOCK THIN 1/4-28	2
9		3/4" SADDLE THIN	2
10		NUT AUTOMATION M6 X 1-0 ROHS	1
11		WASHER FLAT M6	2

**9 MEASURING GUIDE**

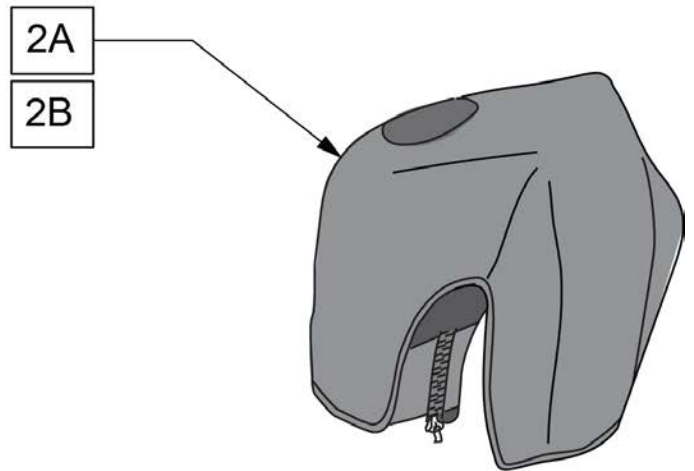
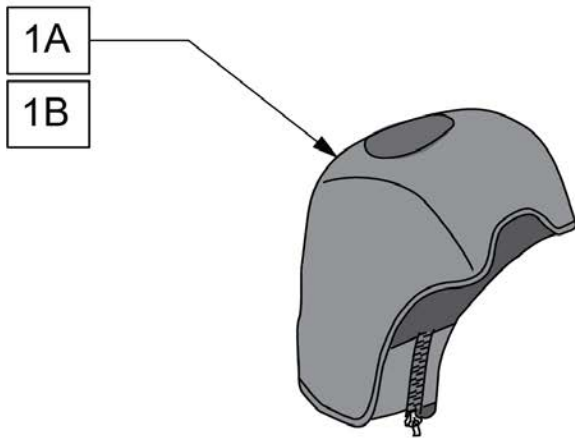
	PART NUMBER	"C"
SHORT	107126	8 1/4"
MED	107127	10 1/4"
LONG	107128	12 1/4"

P/N	DESCRIPTION	"A"	"B"
882337	FOOTPLATE ELR 14-15"	6"	6"
882338	FOOTPLATE ELR 16-17"	7"	6"
882339	FOOTPLATE ELR 18-20"	8"	6"

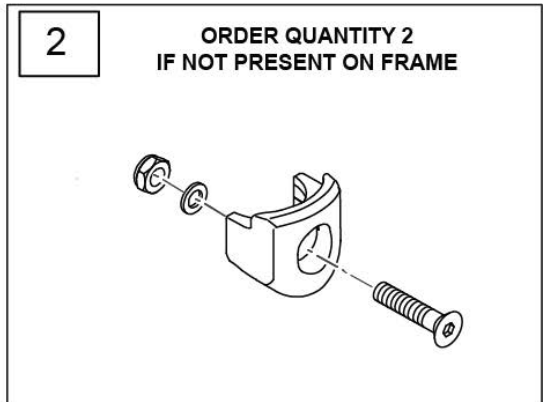
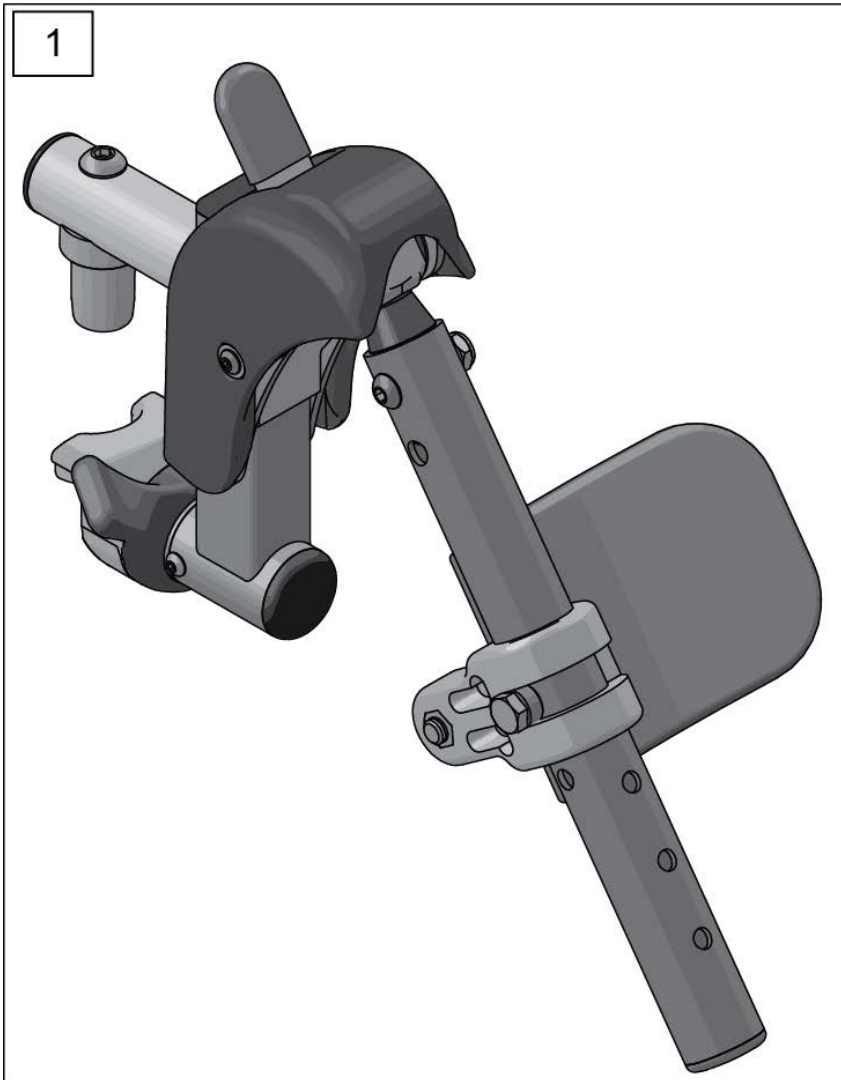
Pos.	Item Number	Description	Remarks
1	226090	1/4-28 x 5/8 BH C/S	
2	118093	BRACKET FOOTPLATE ALUM	
3	102262-008	BHCS M6 X 1 X 50 INORGANIC	
4	281043	#4 x 5/8 PAN PHIL S/TAP	
5	560101	END CAPS FOOTREST	
7	107126	SHORT BENT	
7	107127	MED BENT	
7	107128	LONG BENT	
7	128078	TUBE FOOTREST EXT SHT HEMI	Use for Hemi Extension option
8	106935	1/4-28 NYLOCK NUT THIN	
9	561003	3/4" SADDLE THIN	
10	132626	NUT AUTOMATION M6 X 1.0	
11	107383	WASHER FLAT M6 ROHS	
4,5,6A	882337	ELR FOOTPLATE ASSEMBLY 14 -15"	
4,5,6B	882338	ELR FOOTPLATE ASSEMBLY 16 -17"	
4,5,6C	882339	ELR FOOTPLATE ASSEMBLY 18 -20"	
12-14	119495	EXTENSION CLAMP KIT	
15	129775	ALU FOOTPLATE HDWARE KIT	Ext tube not included; bracket (118093) not included

<b>Pos.</b>	<b>Item Number</b>	<b>Description</b>	<b>Remarks</b>
		Ship assembled part #	Use with multiple assemblies
	ASSY-HNG-FP	HANGER/FOOTPLATE ASSY REQUIRED	add with Hanger & Footplate kit

Note: For installation instructions please see the informations section to the right of this parts page.

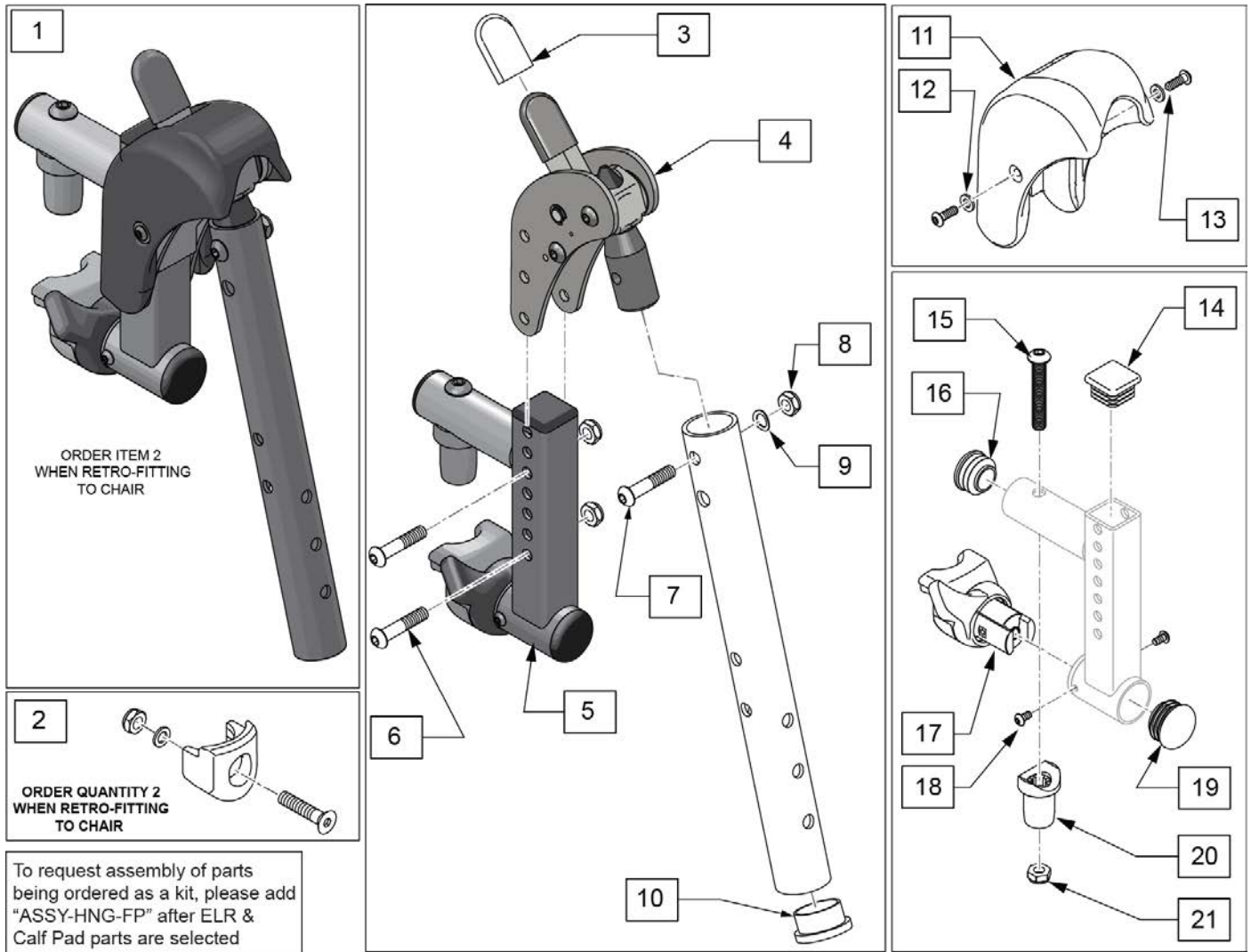


Pos.	Item Number	Description	Remarks
1A	163881	ELR NEOPRENE COVER PR	Pair
1B	163882	ELR GEL COVER PR	Pair
2A	163883	ALR NEOPRENE COVER PR	Pair
2B	163884	ALR GEL COVER PR	Pair



Pos.	Item Number	Description	Remarks
1	162048S	SWNG I/O ELR ASSM FM W/PAD	Kit includes both right & left sides with calf pads
2	119514	LATCH RECEIVER KIT	order qty 2 when retro-fitting to chair
		Ship assembled part #	Use with multiple assemblies
	ASSY-HNG-FP	HANGER/FOOTPLATE ASSY REQUIRED	add with Hanger & Footplate kit

**SWING IN-OUT FRONT MOUNT ELR REPLACEMENT PARTS (PLUNGER STYLE) (EFFECTIVE 2/6/17/2017)**

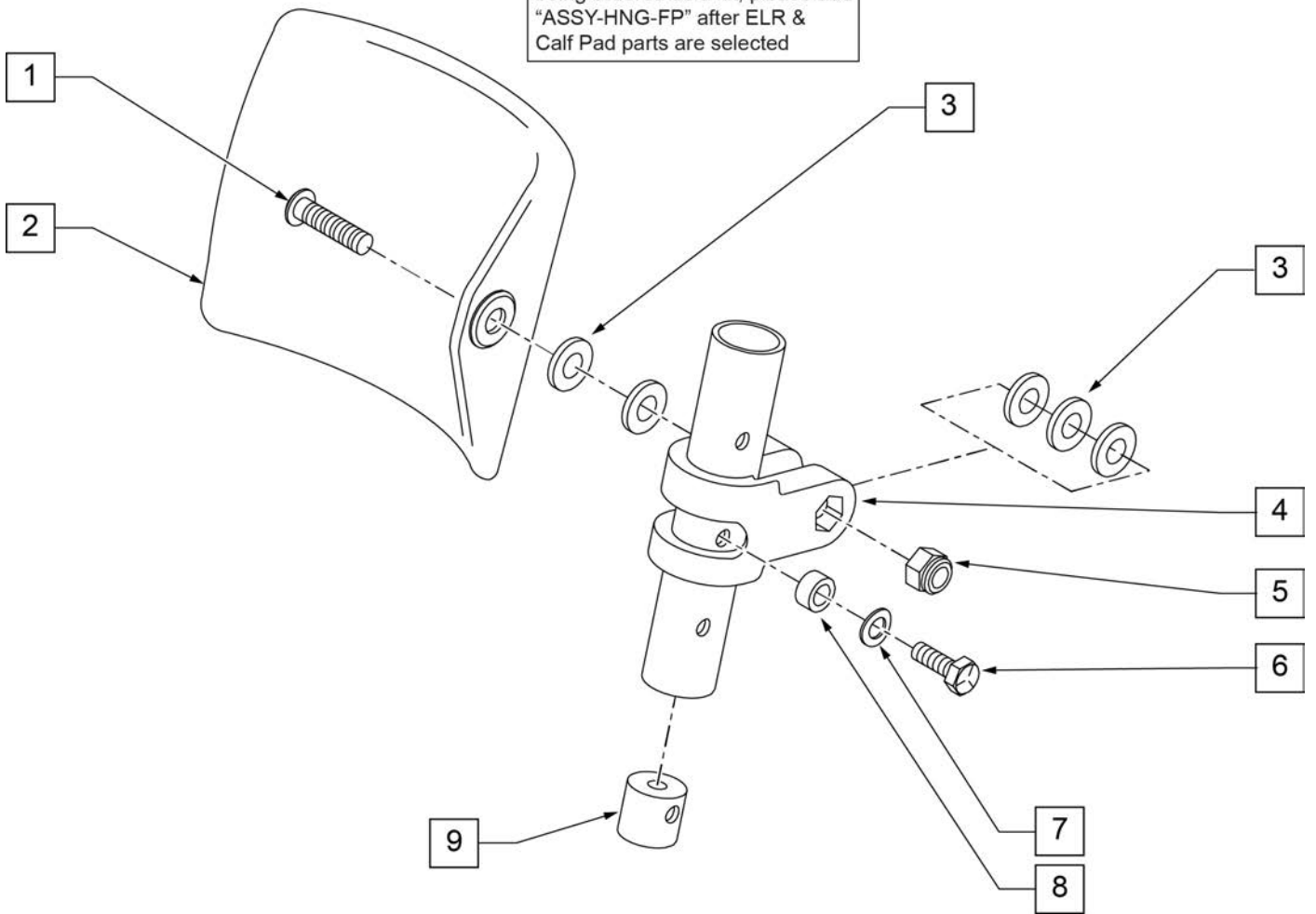


Pos.	Item Number	Description	Remarks
1	162049S	SWNG I/O ELR ASSM FM LH	Left
1	162050S	SWNG I/O ELR ASSM FM RH	Right
2	119514	LATCH RECEIVER KIT	order qty 2 when retro-fitting to chair
3	560501	ALR REL LEVER COVER	
4	126992	HEMI ELR SUB ASSM	
5	134188	RECEIVER ASSY ELR ALR RH	
5	134186	RECEIVER ASSY ELR ALR LH	
6	108623	BHCS 1/4-28 x 1-1/2	
7	106961	BHCS 1/4 -28 x 1 1/4 ROHS	
8	106935	1/4-28 NYLOCK NUT THIN BLK ZN	
9	104414	WAVE WASHER 6 MM	
10	561002	1" INSERT PLUG .083	
12	113282	WASHER FLAT AN #10 ROHS	
13	127135	BHCS 8-32 X 1/2 BLK	
11-13	129640	ELR SHROUD KIT	Kit w/ 2 screws
14	010615	SQUARE END CAP CNTR LEG	
15	226217	5/16-18 X 2" BH C/S BLK	
16	560110	ENDPLUG BACKREST TNT	
17,18	161243	ELR/ALR HANGER LATCH KIT LH	Left

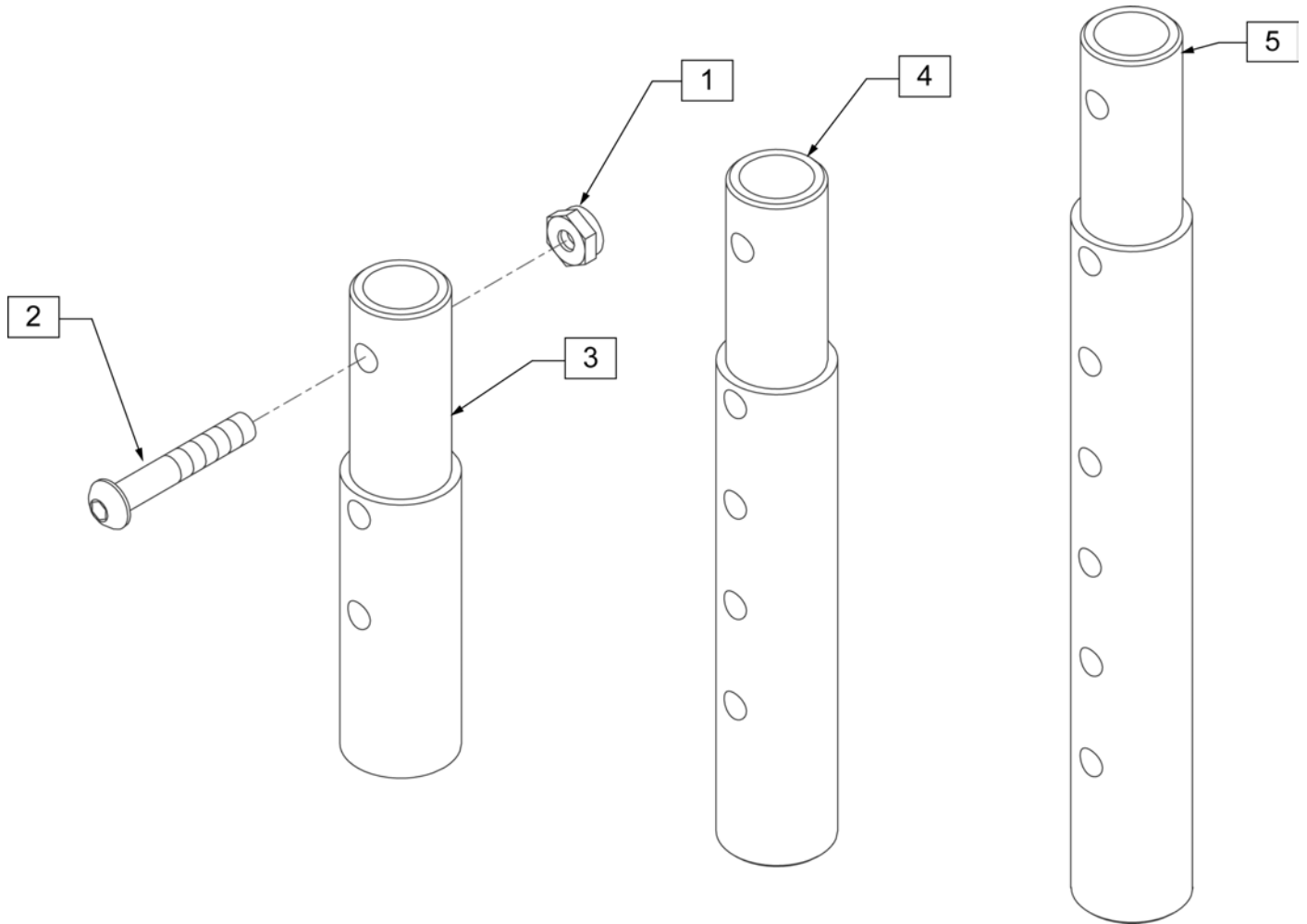
<b>Pos.</b>	<b>Item Number</b>	<b>Description</b>	<b>Remarks</b>
17,18	161242	ELR/ALR HANGER LATCH KIT RH	Right
19	561062	1" INSERT PLUG .065 RIBS	
20	561197	PLASTIC PIVOT SADDLE	
21	202102	5/16-18 NYLOCK NUT THIN	
		Ship assembled part #	Use with multiple assemblies
	ASSY-HNG-FP	HANGER/FOOTPLATE ASSY REQUIRED	add with Hanger & Footplate kit



To request assembly of parts being ordered as a kit, please add "ASSY-HNG-FP" after ELR & Calf Pad parts are selected



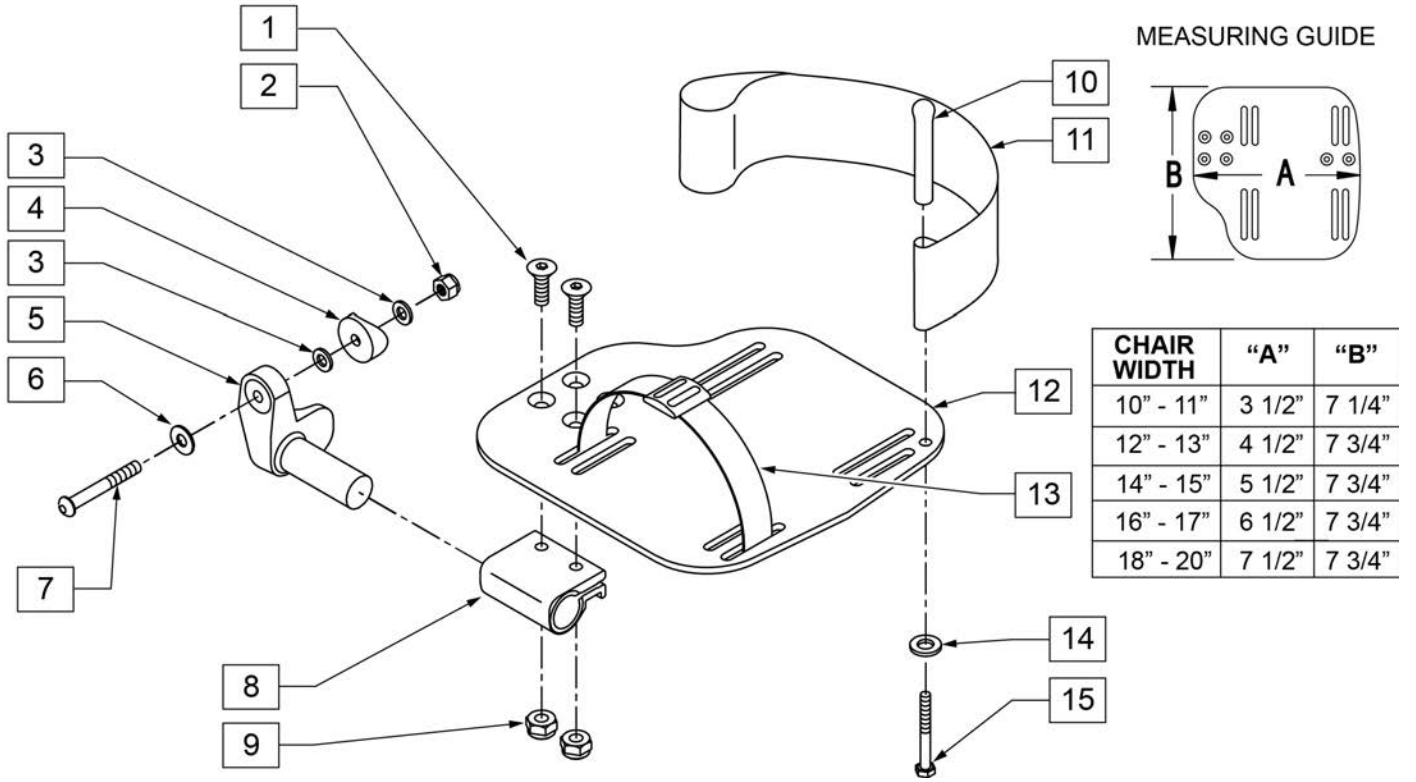
Pos.	Item Number	Description	Remarks
1	226217	5/16-18 x 2" BH C/S BLK	
2	755013	CALF PAD TROUGH STYLE KIDS	
3	561016	1" WASHER 5/16" HOLE	
4	561097	ELR ELEVATING TUBE CLAMP	
5	106937	5/16 -18 NYLOCK NUT THIN	
6	106958	HHCS 1/4-20 X 1 ROHS	
7	262130	6mm WASHER WAVE	
8	483027	1/4 x 1/4 ALUMINUM SPACER	
9	500151	KIDS ALR RETAINING PLUG	
1-9	880533	ELR TROUGH PAD ASSM KIDS	
		Ship assembled part #	Use with multiple assemblies
	ASSY-HNG-FP	HANGER/FOOTPLATE ASSY REQUIRED	add with Hanger & Footplate kit



Pos.	Item Number	Description	Remarks
1	106935	NUT NYLOCK THIN 1/4 -28 ROHS	
2	106961	BHCS 1/4 -28 x 1 1/4 ROHS	
1-3	111505	2" FOOTREST EXTENSION TUBE W/ HDWR ASSM	2" EXT (PAIR)
1, 2, 4	111506	4" FOOTREST EXTENSION TUBE W/ HDWR ASSM	4" EXT (PAIR)
1, 2, 5	111507	6" FOOTREST EXTENSION TUBE W/ HDWR ASSM	6" EXT (PAIR)

To have complete Footrest ship assembled, choose compatible Hanger + Footplate part numbers and add "ASSY-HNG-FP" to order

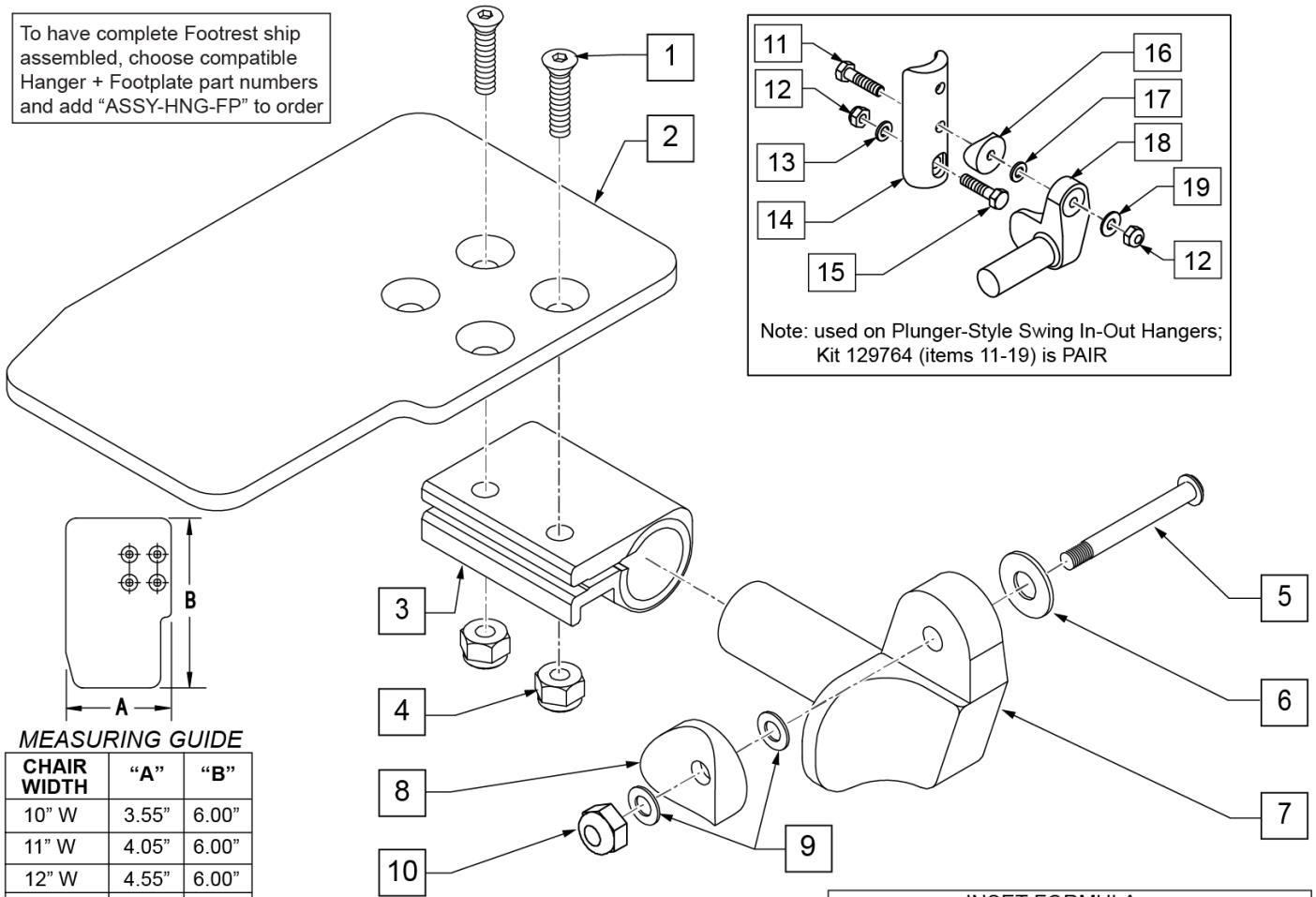
**INSET FORMULA**  
 0" Inset (Seat Width) = Footrest Width  
 1" Inset (Seat Width) - 2" = Footrest Width  
 "V" Hanger (Seat Width) - 4" = Footrest Width  
 Offset Hanger Receiver (Seat Width) + 2" = Footrest Width



Pos.	Item Number	Description	Remarks
1	106978	FHCS 1/4-28 X 7/8 ROHS	
2	106941	NUT AUTOMATION 1/4-28 ROHS	
3	106943	WASHER FLAT AN 1/4 ROHS	
4	561004	1" SADDLE 1/4" HOLE	
5	541000	FOOTREST MOUNTING BRKT 1/2" RAD R	RIGHT
5	541001	FOOTREST MOUNTING BRKT 1/2" RAD L	LEFT
6	106945	WASHER FLAT SAE 1/4 ROHS	
7	106964	BHCS 1/4-28 X 2	
8	550350	3/4" CLAMP ADJ FOOTPLATE	
9	106935	NUT NYLOCK THIN 1/4-28 ROHS	
10	561040	HEEL LOOP PEG	
11	741153	HEEL LOOP 18-20 CMPST/14-15 ANG ADJ	USED W/ 14-15"/16-17" ADULT ANG ADJ FTPLTS
11	741253	HEEL LOOP ADLT ADJ F/PLT 18-20	USED W/ 18 - 20" ADULT ANG ADJ FTPLTS
12	500656	ADULT ANGL ADJ F/PLT 10/11	RIGHT
12	500657	ADULT ANGL ADJ F/PLT 10/11	LEFT
12	500658	ADULT ANGL ADJ F/PLT 12/13	RIGHT
12	500659	ADULT ANGL ADJ F/PLT 12/13	LEFT
12	500660	ADULT ANGL ADJ F/PLT 14/15	RIGHT
12	500661	ADULT ANGL ADJ F/PLT 14/15	LEFT
12	500662	ADULT ANGL ADJ F/PLT 16/17	RIGHT
12	500663	ADULT ANGL ADJ F/PLT 16/17	LEFT
12	500664	ADULT ANGL ADJ F/PLT 18-20	RIGHT

Pos.	Item Number	Description	Remarks
12	500665	ADULT ANGL ADJ F/PLT 18-20	LEFT
13	740260	TOE-ANKLE STRAP ADJ ADULT FOOTPLATE	
14	106943	WASHER FLAT AN 1/4 ROHS	
15	106958	HHCS 1/4-20 X 1 ROHS	
1-9,12	820544	FP ADULT ADJ 90D 10/11 R	RIGHT
1-9,12	820554	FP ADULT ADJ 90D 10/11 L	LEFT
1-9,12	820546	FP ADULT ADJ 90D 12/13 R	RIGHT
1-9,12	820556	FP ADULT ADJ 90D 12/13 L	LEFT
1-9,12	820472	FP ADULT ADJ 90D 14/15 R	RIGHT
1-9,12	820473	FP ADULT ADJ 90D 14/15 L	LEFT
1-9,12	820474	FP ADULT ADJ 90D 16/17 R	RIGHT
1-9,12	820475	FP ADULT ADJ 90D 16/17 L	LEFT
1-9,12	820476	FP ADULT ADJ 90D 18-20 R	RIGHT
1-9,12	820477	FP ADULT ADJ 90D 18-20 L	LEFT
1-9,12	921474	ADULT ANGL ADJ 90D 10/11 OMIT H/L	PAIR
1-9,12	921476	ADULT ANGL ADJ 90D 12/13 OMIT H/L	PAIR
1-9,12	921330	ADULT ANGL ADJ 90D 14/15 OMIT H/L	PAIR
1-9,12	921331	ADULT ANGL ADJ 90D 16/17 OMIT H/L	PAIR
1-9,12	921332	ADULT ANGL ADJ 90D 18-20 OMIT H/L	PAIR
1-12,14,15	820540	F/PLT ADULT ADJ 90D 10/11 R W/ HL	RIGHT
1-12,14,15	820550	F/PLT ADULT ADJ 90D 10/11 L W/ HL	LEFT
1-12,14,15	820542	F/PLT ADULT ADJ 90D 12/13 R W/ HL	RIGHT
1-12,14,15	820552	F/PLT ADULT ADJ 90D 12/13 L W/ HL	LEFT
1-12,14,15	820478	F/PLT ADULT ADJ 90D 14/15 R W/ HL	RIGHT
1-12,14,15	820479	F/PLT ADULT ADJ 90D 14/15 L W/ HL	LEFT
1-12,14,15	820480	F/PLT ADULT ADJ 90D 16/17 R W/ HL	RIGHT
1-12,14,15	820481	F/PLT ADULT ADJ 90D 16/17 L W/ HL	LEFT
1-12,14,15	820482	F/PLT ADULT ADJ 90D 18-20 R W/ HL	RIGHT
1-12,14,15	820483	F/PLT ADULT ADJ 90D 18-20 L W/ HL	LEFT
1-12,14,15	921470	F/PLT ADULT ADJ 90D 10/11 W/ HL	PAIR
1-12,14,15	921472	F/PLT ADULT ADJ 90D 12/13 W/ HL	PAIR
1-12,14,15	921333	F/PLT ADULT ADJ 90D 14/15 W/ HL	PAIR
1-12,14,15	921334	F/PLT ADULT ADJ 90D 16/17 W/ HL	PAIR
1-12,14,15	921335	F/PLT ADULT ADJ 90D 18-20 W/ HL	PAIR
		Ship assembled part #	Use with multiple assemblies
	ASSY-HNG-FP	HANGER/FOOTPLATE ASSY REQUIRED	add with Hanger & Footplate kit

To have complete Footrest ship assembled, choose compatible Hanger + Footplate part numbers and add "ASSY-HNG-FP" to order



MEASURING GUIDE

CHAIR WIDTH	"A"	"B"
10" W	3.55"	6.00"
11" W	4.05"	6.00"
12" W	4.55"	6.00"
13" W	5.05"	6.00"
14" W	5.55"	6.00"
15" W	6.05"	6.00"
16" W	6.55"	6.00"

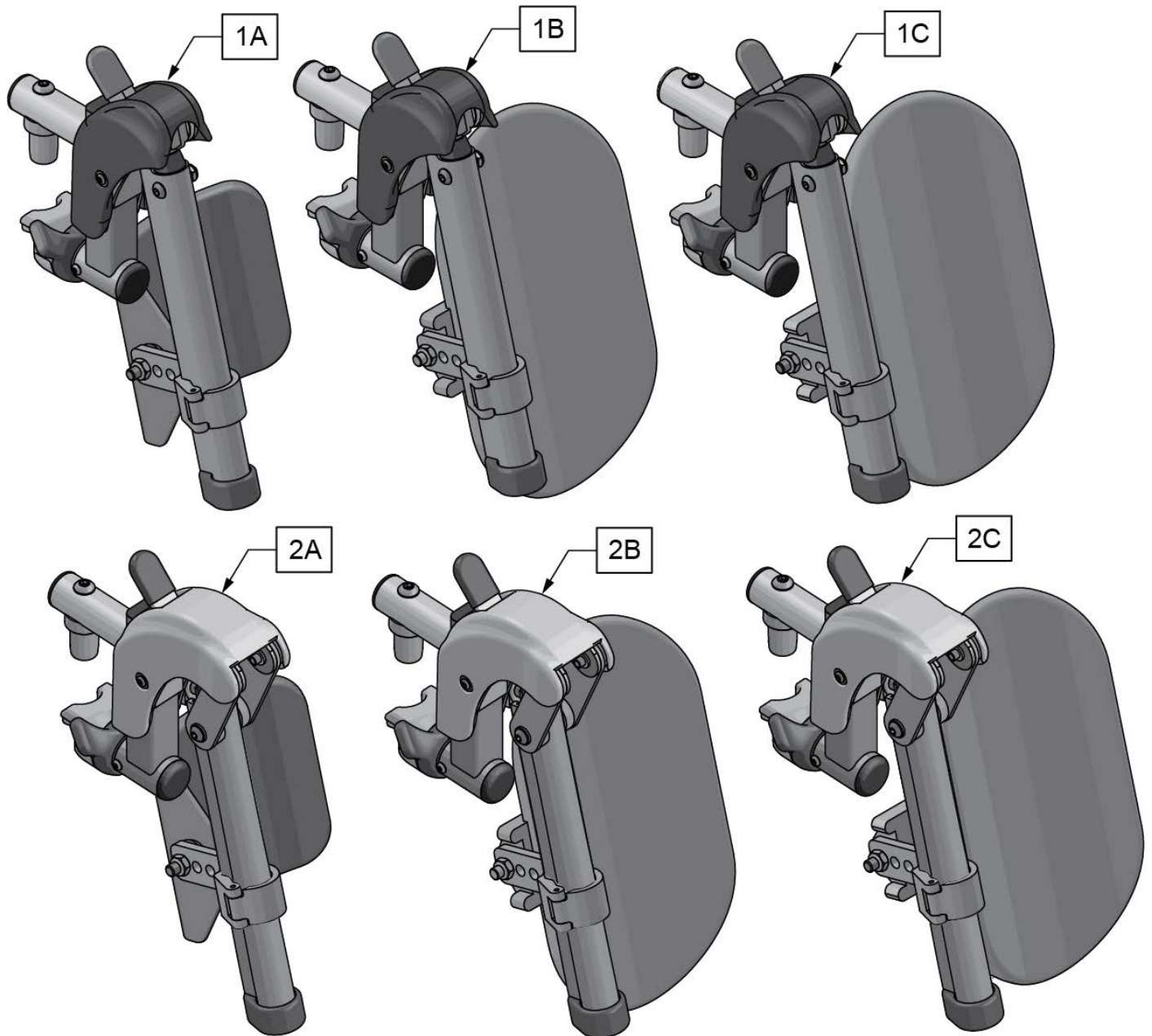
INSET FORMULA

0" Inset (Seat Width) = Footrest Width  
 1" Inset (Seat Width) -2" = Footrest Width  
 "V" Hanger (Seat Width) -4" = Footrest Width  
 Offset Hanger Receiver (Seat Width) +2" = Footrest Width

Pos.	Item Number	Description	Remarks
1	106978	FHCS 1/4-28 X 7/8 ROHS	
2	500635	KIDS ANGL ADJ F/PLT 10	RIGHT
2	500636	KIDS ANGL ADJ F/PLT 10	LEFT
2	500637	KIDS ANGL ADJ F/PLT 11	RIGHT
2	500638	KIDS ANGL ADJ F/PLT 11	LEFT
2	500639	KIDS ANGL ADJ F/PLT 12	RIGHT
2	500640	KIDS ANGL ADJ F/PLT 12	LEFT
2	500641	KIDS ANGL ADJ F/PLT 13	RIGHT
2	500642	KIDS ANGL ADJ F/PLT 13	LEFT
2	500643	KIDS ANGL ADJ F/PLT 14	RIGHT
2	500644	KIDS ANGL ADJ F/PLT 14	LEFT
2	500645	KIDS ANGL ADJ F/PLT 15	RIGHT
2	500646	KIDS ANGL ADJ F/PLT 15	LEFT
2	500647	KIDS ANGL ADJ F/PLT 16	RIGHT
2	500648	KIDS ANGL ADJ F/PLT 16	LEFT
3	550350	3/4 CLAMP ADJ FOOTPLATE	
4	106935	NUT NYLOCK THIN 1/4-28 ROHS	
5	226147	1/4-28 X 1.85 BH C/S BLK ZN	

Pos.	Item Number	Description	Remarks
6	106945	WASHER FLAT SAE 1/4 ROHS	
7	541000	FTRST MOUNTING BRKT 1/2" RAD R	RIGHT
7	541001	FTRST MOUNTING BRKT 1/2" RAD L	LEFT
8	561004	1 SADDLE 1/4 HOLE	
9	106943	WASHER FLAT THIN AN 1/4	
10	106941	NUT AUTOMATION 1/4-28 ROHS	
11	102268-001	HHCS M6 X 1 X 25	
12	132626	NUT AUTOMATION M6 X 1.0 ROHS	
13	107383	WASHER FLAT M6 ROHS	
15	118198	HHCS M6 X 1 X 40 PART NP	
16	561004	1" SADDLE 1/4" HOLE	
17	106943	WASHER FLAT AN 1/4 ROHS	
19	106945	WASHER FLAT SAE 1/4 ROHS	
1-4	158632	CAA F/PLT KIT 10 RT	RIGHT; used with Front Mount Adapter Kit on Plunger-Style Swing In/Out Hangers
1-4	158633	CAA F/PLT KIT 10 LT	LEFT; used with Front Mount Adapter Kit on Plunger-Style Swing In/Out Hangers
1-4	158634	CAA F/PLT KIT 11 RT	RIGHT; used with Front Mount Adapter Kit on Plunger-Style Swing In/Out Hangers
1-4	158635	CAA F/PLT KIT 11 LT	LEFT; used with Front Mount Adapter Kit on Plunger-Style Swing In/Out Hangers
1-4	158636	CAA F/PLT KIT 12 RT	RIGHT; used with Front Mount Adapter Kit on Plunger-Style Swing In/Out Hangers
1-4	158637	CAA F/PLT KIT 12 LT	LEFT; used with Front Mount Adapter Kit on Plunger-Style Swing In/Out Hangers
1-4	158638	CAA F/PLT KIT 13 RT	RIGHT; used with Front Mount Adapter Kit on Plunger-Style Swing In/Out Hangers
1-4	158639	CAA F/PLT KIT 13 LT	LEFT; used with Front Mount Adapter Kit on Plunger-Style Swing In/Out Hangers
1-4	158640	CAA F/PLT KIT 14 RT	RIGHT; used with Front Mount Adapter Kit on Plunger-Style Swing In/Out Hangers
1-4	158641	CAA F/PLT KIT 14 LT	LEFT; used with Front Mount Adapter Kit on Plunger-Style Swing In/Out Hangers
1-4	158642	CAA F/PLT KIT 15 RT	RIGHT; used with Front Mount Adapter Kit on Plunger-Style Swing In/Out Hangers
1-4	158643	CAA F/PLT KIT 15 LT	LEFT; used with Front Mount Adapter Kit on Plunger-Style Swing In/Out Hangers
1-4	158644	CAA F/PLT KIT 16 RT	RIGHT; used with Front Mount Adapter Kit on Plunger-Style Swing In/Out Hangers
1-4	158645	CAA F/PLT KIT 16 LT	LEFT; used with Front Mount Adapter Kit on Plunger-Style Swing In/Out Hangers
1-10	828821	KIDS ANG ADJ F/PLT ASSM 10	RIGHT; used with Old-Style Latch Block Swing In/Out & S/A Hangers
1-10	828822	KIDS ANG ADJ F/PLT ASSM 10	LEFT; used with Old-Style Latch Block Swing In/Out & S/A Hangers
1-10	828823	KIDS ANG ADJ F/PLT ASSM 11	RIGHT; used with Old-Style Latch Block Swing In/Out & S/A Hangers
1-10	828824	KIDS ANG ADJ F/PLT ASSM 11	LEFT; used with Old-Style Latch Block Swing In/Out & S/A Hangers
1-10	828825	KIDS ANG ADJ F/PLT ASSM 12	RIGHT; used with Old-Style Latch Block Swing In/Out & S/A Hangers
1-10	828826	KIDS ANG ADJ F/PLT ASSM 12	LEFT; used with Old-Style Latch Block Swing In/Out & S/A Hangers
1-10	828827	KIDS ANG ADJ F/PLT ASSM 13	RIGHT; used with Old-Style Latch Block Swing In/Out & S/A Hangers
1-10	828828	KIDS ANG ADJ F/PLT ASSM 13	LEFT; used with Old-Style Latch Block Swing In/Out & S/A Hangers
1-10	828829	KIDS ANG ADJ F/PLT ASSM 14	RIGHT; used with Old-Style Latch Block Swing In/Out & S/A Hangers
1-10	828830	KIDS ANG ADJ F/PLT ASSM 14	LEFT; used with Old-Style Latch Block Swing In/Out & S/A Hangers
1-10	828831	KIDS ANG ADJ F/PLT ASSM 15	RIGHT; used with Old-Style Latch Block Swing In/Out & S/A Hangers
1-10	828832	KIDS ANG ADJ F/PLT ASSM 15	LEFT; used with Old-Style Latch Block Swing In/Out & S/A Hangers

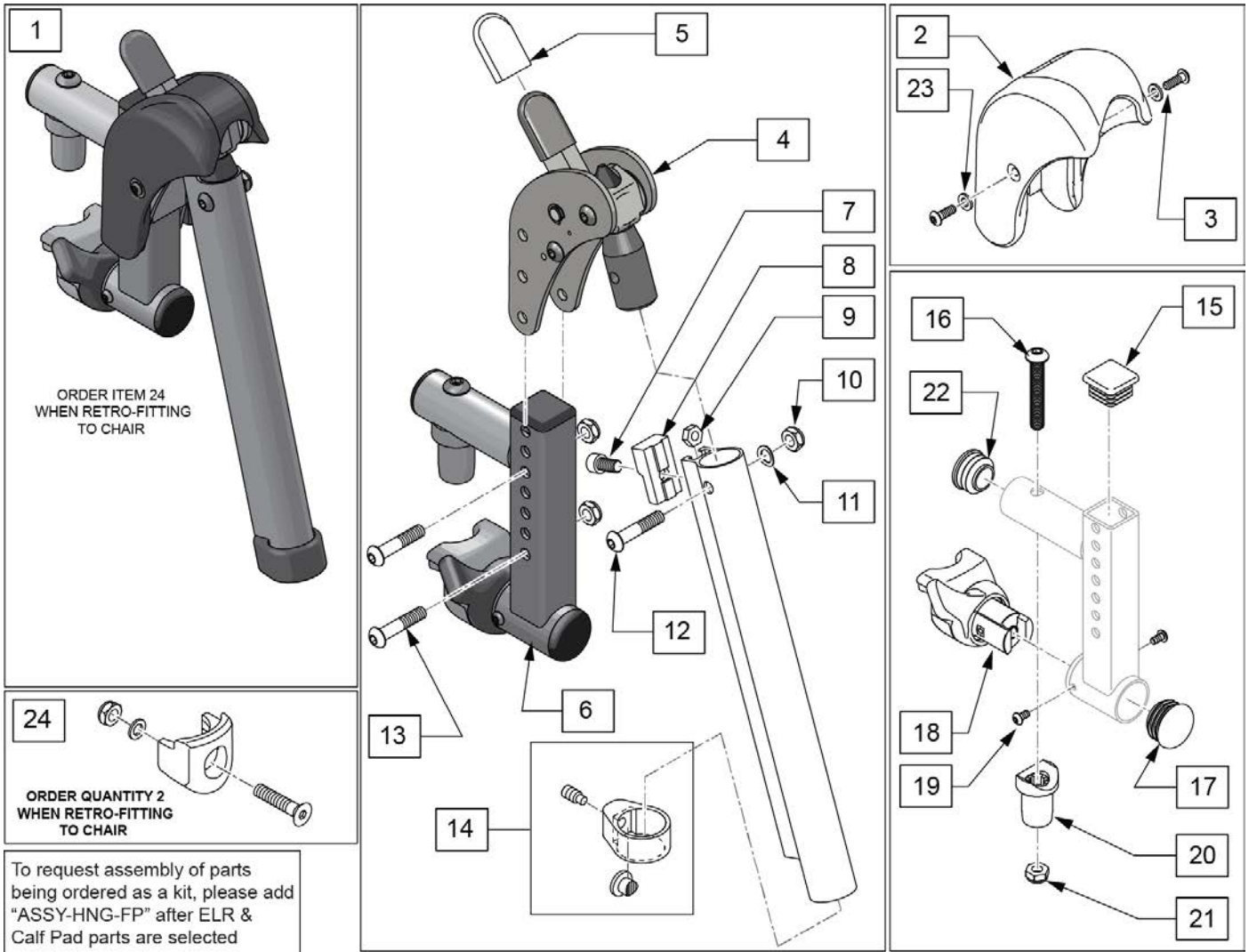
Pos.	Item Number	Description	Remarks
1-10	828833	KIDS ANG ADJ F/PLT ASSM 16	RIGHT; used with Old-Style Latch Block Swing In/Out & S/A Hangers
1-10	828834	KIDS ANG ADJ F/PLT ASSM 16	LEFT; used with Old-Style Latch Block Swing In/Out & S/A Hangers
1-10	921226	KIDS ANG ADJ F/PLT ASSM 10	PAIR; used with Old-Style Latch Block Swing In/Out & S/A Hangers
1-10	921227	KIDS ANG ADJ F/PLT ASSM 11	PAIR; used with Old-Style Latch Block Swing In/Out & S/A Hangers
1-10	921228	KIDS ANG ADJ F/PLT ASSM 12	PAIR; used with Old-Style Latch Block Swing In/Out & S/A Hangers
1-10	921229	KIDS ANG ADJ F/PLT ASSM 13	PAIR; used with Old-Style Latch Block Swing In/Out & S/A Hangers
1-10	921230	KIDS ANG ADJ F/PLT ASSM 14	PAIR; used with Old-Style Latch Block Swing In/Out & S/A Hangers
1-10	921231	KIDS ANG ADJ F/PLT ASSM 15	PAIR; used with Old-Style Latch Block Swing In/Out & S/A Hangers
1-10	921232	KIDS ANG ADJ F/PLT ASSM 16	PAIR; used with Old-Style Latch Block Swing In/Out & S/A Hangers
11-19	129764	AAA FRNT MNT ADAPTER KIT PR	AAA FRNT MNT fits both Kids and Adult Angle Adjustable Footplates
		Ship assembled part #	Use with multiple assemblies
	ASSY-HNG-FP	HANGER/FOOTPLATE ASSY REQUIRED	add with Hanger & Footplate kit



Pos.	Item Number	Description	Remarks
1A	161233S	SWNG I/O ELR ASM 14-15 W/PAD	Pair
1B	161234S	SWNG I/O ELR ASM 16-17 W/PAD	Pair
1C	161235S	SWNG I/O ELR ASM 18-20 W/PAD	Pair
2A	161236S	SWNG I/O ALR ASM 14-15 W/PAD	Pair
2B	161237S	SWNG I/O ALR ASM 16-17 W/PAD	Pair
2C	161238S	SWNG I/O ALR ASM 18-20 W/PAD	Pair
		Ship assembled part #	Use with multiple assemblies
	ASSY-HNG-FP	HANGER/FOOTPLATE ASSY REQUIRED	add with Hanger & Footplate kit



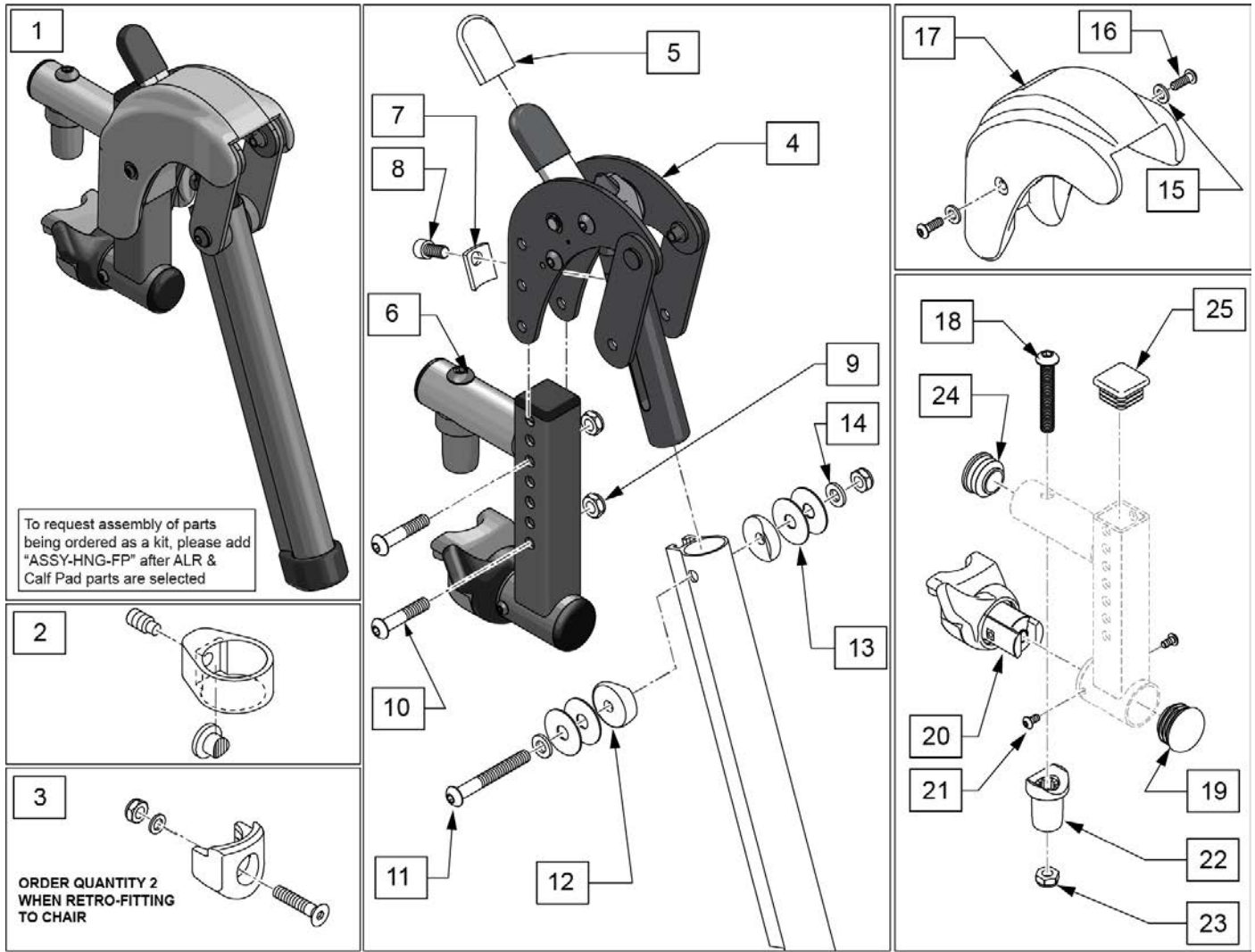
**SWING IN-OUT EXT MOUNT ELR REPLACEMENT PARTS (PLUNGER STYLE) (EFFECTIVE 2/6/17)[7/2016]**



Pos.	Item Number	Description	Remarks
1	161239S	SWNG I/O ELR ASSM RH	Right
1	161240S	SWNG I/O ELR ASSM LH	Left
1	161241S	SWNG I/O ELR ASSM PR	Pair
2,3,23	129640	ELR SHROUD KIT	Kit w/ 2 screws
3	127135	BHCS 8-32 X 1/2 BLK	
4	126992	HEMI ELR SUB ASSM	
5	560501	ALR REL LEVER COVER	
6	134188	RECEIVER ASSY ELR ALR RH	
6	134186	RECEIVER ASSY ELR ALR LH	
7	107350	SHCS 1/4-28 x 1/2	
8	127129	ANGLE STOP ELR	
9	107249	NUT HEX THIN 1/4-28	
10	106935	1/4-28 NYLOCK NUT THIN BLK ZN	
11	104414	WAVE WASHER 6 MM	
12	106961	BHCS 1/4 -28 x 1 1/4 ROHS	
13	108623	BHCS 1/4-28 x 1-1/2	
14	119495	EXTENSION CLAMP KIT	
15	010615	SQUARE END CAP CNTR LEG	
16	226217	5/16-18 X 2" BH C/S BLK	

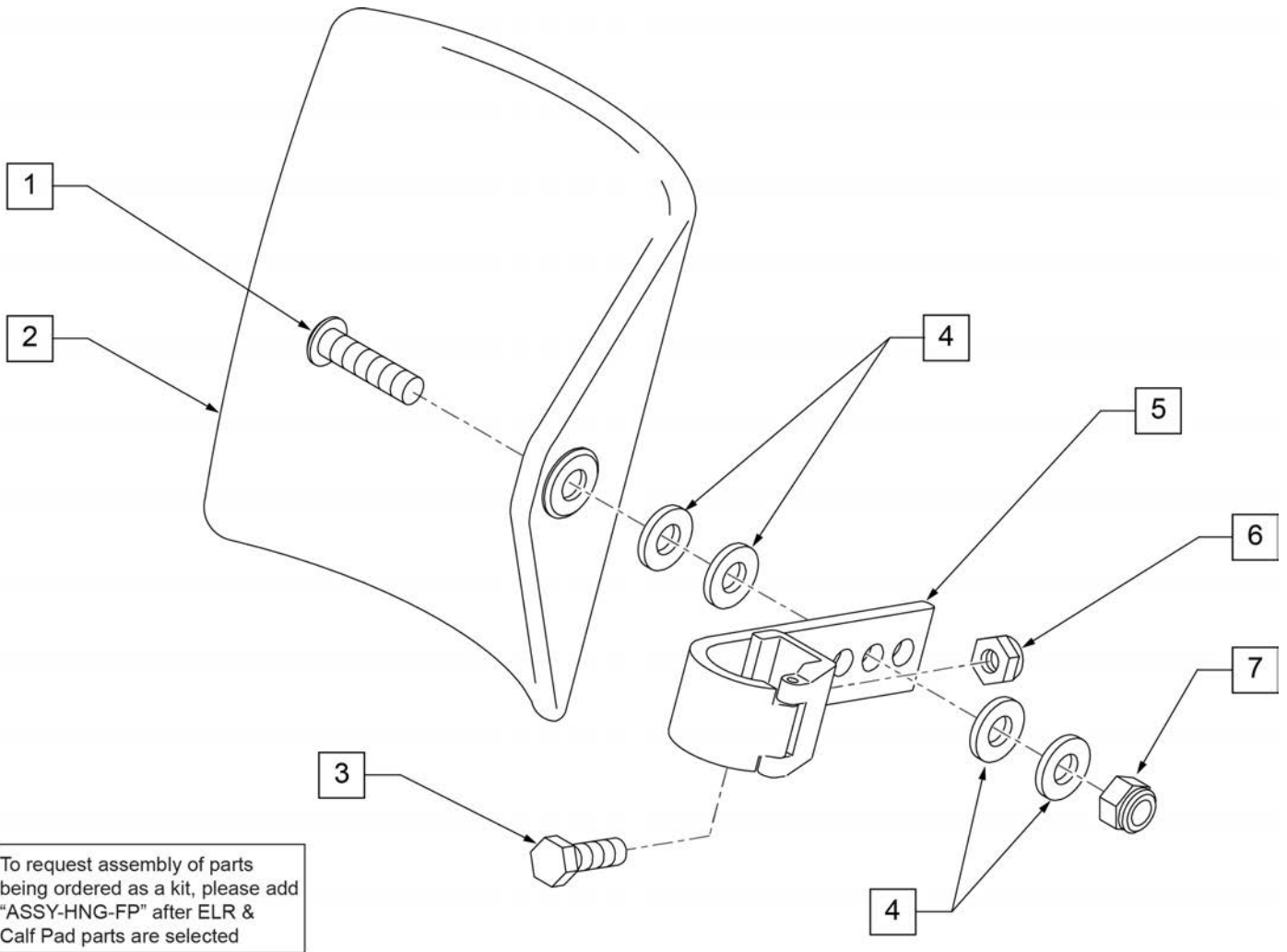
Pos.	Item Number	Description	Remarks
17	561062	1" INSERT PLUG .065 RIBS	
18,19	161242	ELR/ALR HANGER LATCH KIT RH	Right
18,19	161243	ELR/ALR HANGER LATCH KIT LH	Left
20	561197	PLASTIC PIVOT SADDLE	
21	202102	5/16-18 NYLOCK NUT THIN	
22	560110	ENDPLUG BACKREST TNT	
23	113282	WASHER FLAT AN #10 ROHS	
24	119514	LATCH RECEIVER KIT	order qty 2 when retro-fitting to chair
		Ship assembled part #	Use with multiple assemblies
	ASSY-HNG-FP	HANGER/FOOTPLATE ASSY REQUIRED	add with Hanger & Footplate kit

**SWING IN-OUT ALR EXT MNT REPLACEMENT PARTS (PLUNGER STYLE)(EFFECTIVE 2/6/17)<sup>1/10/2020</sup>**

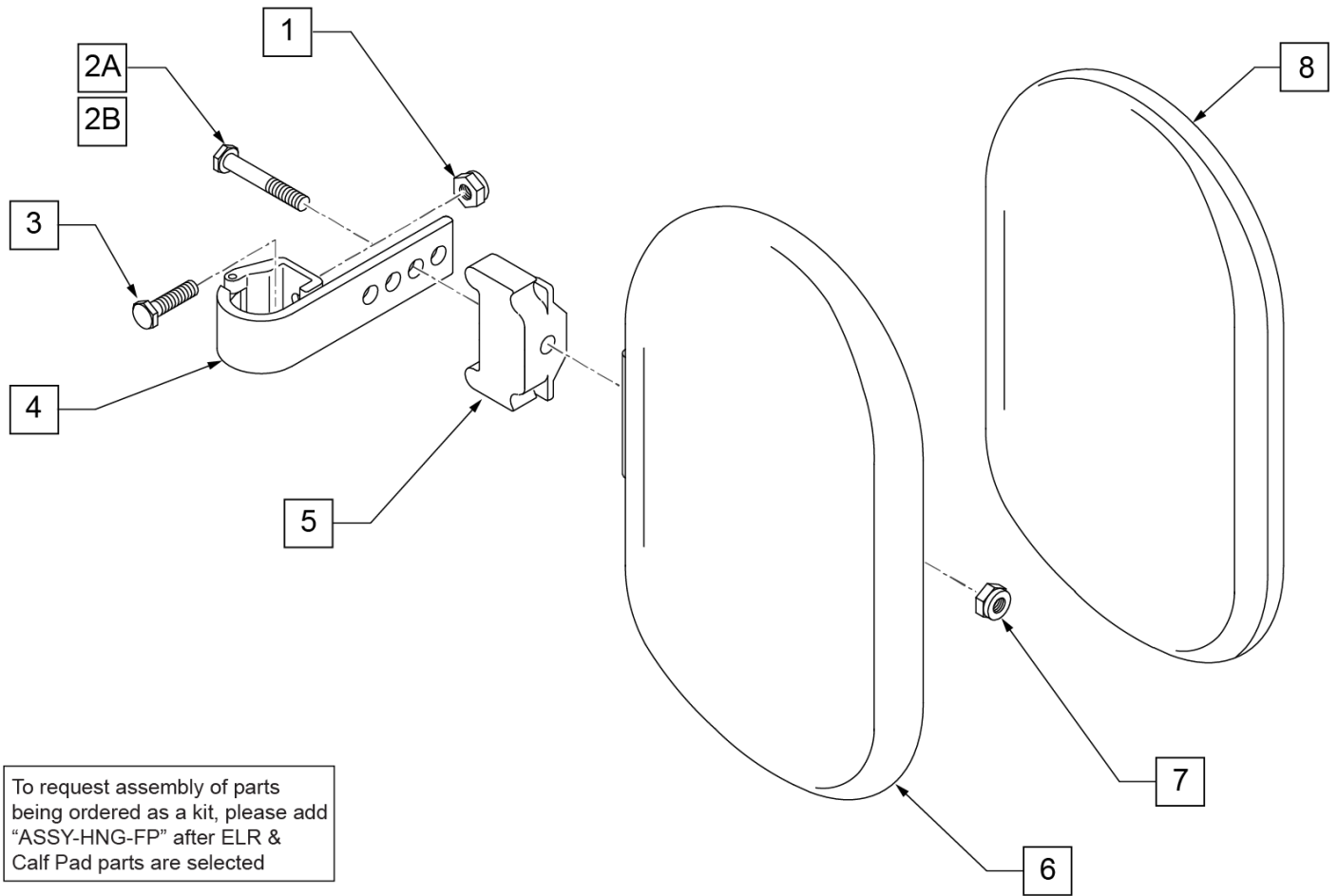


Pos.	Item Number	Description	Remarks
1	161244S	SWNG I/O ALR ASSM RH KIT	Right
1	161245S	SWNG I/O ALR ASSM LH KIT	Left
1	161246S	SWNG I/O ALR ASSM PR KIT	Pair
2	119495	EXTENSION CLAMP KIT	
3	119514	LATCH RECEIVER KIT	order qty 2 when retro-fitting to chair
4	127153	HEMI ALR SUB ASSM	
5	560501	ALR REL LEVER COVER	
6	134188	RECEIVER ASSY ELR ALR RH	
6	134186	RECEIVER ASSY ELR ALR LH	
7	127129	ANGLE STOP ELR	
8	107350	SHCS 1/4-28 x 1/2	
9	106935	1/4-28 NYLOCK NUT THIN BLK ZN	
10	108623	BHCS 1/4-28 x 1-1/2	
11	106964	BHCS 1/4-28 X 2	
12	561086	1" HALF SADDLE 1/4" HOLE	
13	113268	WASHER NYLON 1IN OD X .312 ID	
14	106943	WASHER FLAT AN 1/4 ROHS	
15	113282	WASHER FLAT AN #10 ROHS	
16	127135	BHCS 8-32 X 1/2 BLK	

Pos.	Item Number	Description	Remarks
15-17	129633	ALR SHROUD KIT	1 side
18	226217	5/16-18 X 2" BH C/S BLK	
19	560110	ENDPLUG BACKREST TNT	
20,21	161242	ELR/ALR HANGER LATCH KIT RH	Right
20,21	161243	ELR/ALR HANGER LATCH KIT LH	Left
22	561197	PLASTIC PIVOT SADDLE	
23	202102	5/16-18 NYLOCK NUT THIN	
24	561062	1" INSERT PLUG .065 RIBS	
25	010615	SQUARE END CAP CNTR LEG	
		Ship assembled part #	Use with multiple assemblies
	ASSY-HNG-FP	HANGER/FOOTPLATE ASSY REQUIRED	add with Hanger & Footplate kit



Pos.	Item Number	Description	Remarks
1	106980	BHCS 5/16-18 X 1-1/4 ROHS	
2	755014	CALF PAD TROUGH STYLE 14"/16"	
3	221097	1/4-28 X 5/8 HEX C/S BZ	
4	561016	1" WASHER 5/16" HOLE	
5	881413	CALF PAD BRACKET ASSEMBLY	
6	106934	NUT NYLOCK 1/4-28 ROHS	
7	106937	NUT NYLOCK THIN 5/16-18	
1-7	881414	CALF PAD J-HOOK 14"-15" ASSEMBLY	
		Ship assembled part #	Use with multiple assemblies
	ASSY-HNG-FP	HANGER/FOOTPLATE ASSY REQUIRED	add with Hanger & Footplate kit



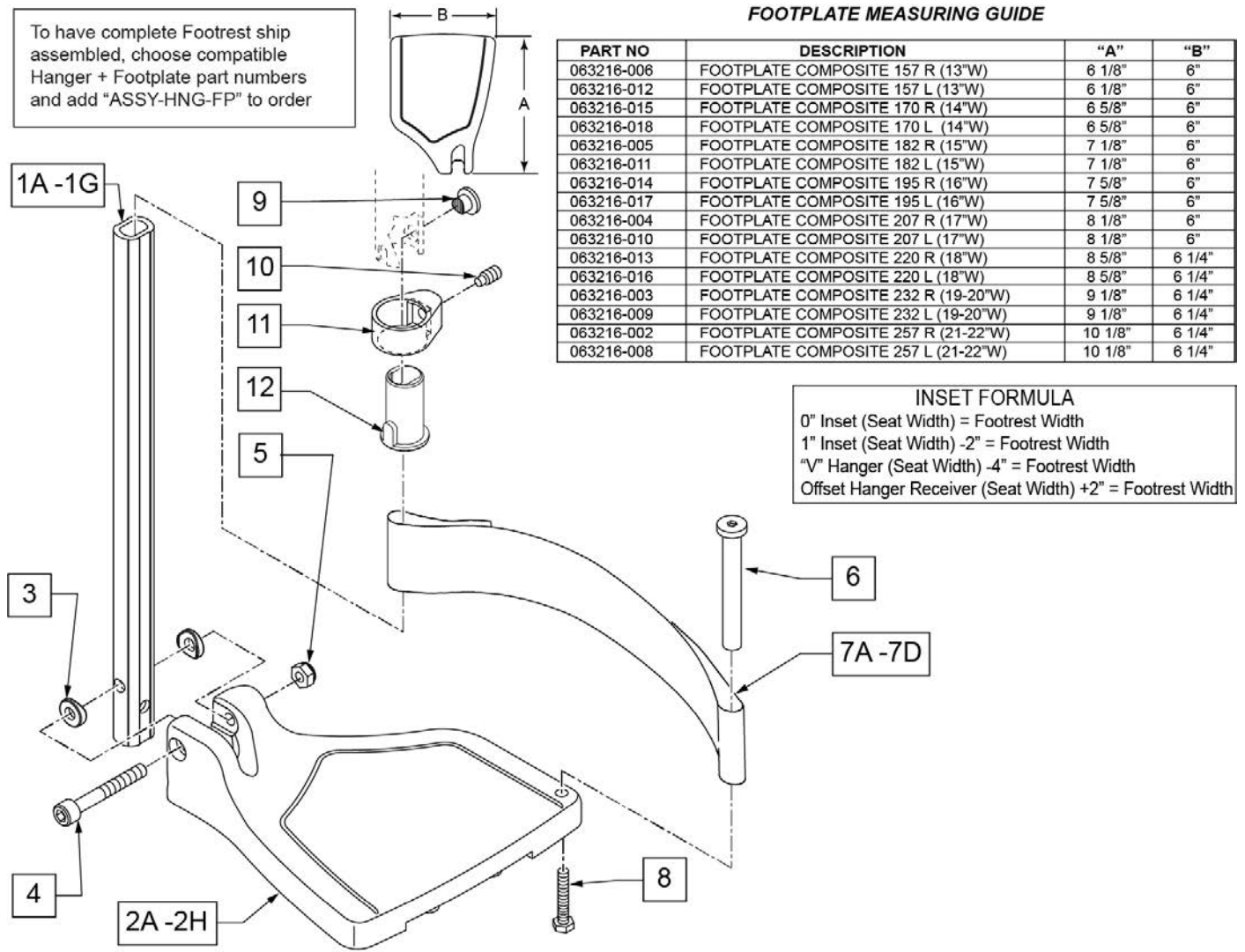
Pos.	Item Number	Description	Remarks
1	106934	NUT NYLOCK 1/4-28 ROHS	
2A	107018	HHCS 5/16-18 X 2-1/2 ROHS	16"-17" wide only
2B	107019	HHCS 5/16-18 X 3-1/2 ROHS	18"-20" wide only
3	107013	HHCS 1/4-28 X 5/8 ROHS	
4	881413	CALF PAD BRACKET ASSEMBLY	
5	560199	ELR CALF HINGE SPACER	18"-20" wide only
6	560108	CALF PAD MOLDED 16"-20"	
7	106936	NUT NYLOCK 5/16-18 ROHS	
8	751045	CALF PAD COVER	
1,2A,3,4,6-8	881416	CALF MOLDED 16"-17" ASSEMBLY	
1,2B,3-7,8	881412	CALF PAD MOLDED 18"-20" ASSEMBLY	
		Ship assembled part #	Use with multiple assemblies
	ASSY-HNG-FP	HANGER/FOOTPLATE ASSY REQUIRED	add with Hanger & Footplate kit

**Note:** Footplate Assemblies are set to footrest width; please see "Footplate Formula" table for seat width conversion.

Note: If using Short Ext Tube & Hemi Hanger with Composite Footplate use 1G (bent) .

Note: V Style Hangers are not available on Swing Away Style chairs effective 7/14/14; see the "Prior To" ordering guide for V Style footplate assemblies.

Note: see Informations Panel for appropriate ordering guide; for QX Series or SR45 footplate replacement parts see ordering guide marked specifically for these two models.



Pos.	Item Number	Description	Remarks
1A,3-5	120660	SHT STRT EXT COMP HDWR	80 deg hangers + ELR only

Pos.	Item Number	Description	Remarks
1B,3-5	120661	MED STRT EXT COMP HDWR	80 deg hangers + ELR only
1C,3-5	120662	LNG STRT EXT COMP HDWR	80 deg hangers + ELR only
1D,3-5	120663	SHT BNT EXT COMP HDWR	60,70,70 Hemi Hangers
1E,3-5	120664	MED BNT EXT COMP HDWR	60,70,70 Hemi Hangers
1F,3-5	120665	LNG BNT EXT COMP HDWR	60,70,70 Hemi Hangers
1G	128078	TUBE FOOTREST EXT SHT HEMI	use for Hemi Ext Tube option
2A	063216-006	COMPOSITE FOOTPLATE RIGHT	RIGHT 13" Footrest Width
2A	063216-012	COMPOSITE FOOTPLATE LEFT	LEFT 13" Footrest Width
2B	063216-015	FOOTPLATE COMPOSITE RIGHT	RIGHT 14" Footrest Width
2B	063216-018	FOOTPLATE COMPOSITE LEFT	LEFT 14" Footrest Width
2C	063216-005	COMPOSITE FOOTPLATE RIGHT	RIGHT 15" Footrest Width
2C	063216-011	COMPOSITE FOOTPLATE LEFT	LEFT 15" Footrest Width
2D	063216-014	FOOTPLATE COMPOSITE RIGHT	RIGHT 16" Footrest Width
2D	063216-017	FOOTPLATE COMPOSITE LEFT	LEFT 16" Footrest Width
2E	063216-004	COMPOSITE FOOTPLATE RIGHT	RIGHT 17" Footrest Width
2E	063216-010	COMPOSITE FOOTPLATE LEFT	LEFT 17" Footrest Width
2F	063216-013	FOOTPLATE COMPOSITE RIGHT	RIGHT 18" Footrest Width
2F	063216-016	FOOTPLATE COMPOSITE LEFT	LEFT 18" Footrest Width
2G	063216-003	COMPOSITE FOOTPLATE RIGHT	RIGHT 19" & 20" Footrest Width
2G	063216-009	COMPOSITE FOOTPLATE LEFT	LEFT 19" & 20" Footrest Width
2H	063216-002	FOOTPLATE COMPOSITE RIGHT	RIGHT 21" & 22" Footrest Width
2H	063216-008	FOOTPLATE COMPOSITE LEFT	LEFT 21" & 22" Footrest Width
3	104377	3/4" SADDLE THIN	
4	103175	SHCS M6 X 1 X 40 INORG	
5	132626	NUT AUTOMATION M6 X 1.0	Inserted in bottom of footplate.
6	104328	HEEL LOOP PEG	
7A	104380-001	ADJUSTABLE FOOT REST STRAP	14" wide
7B	104380-002	ADJUSTABLE FOOT REST STRAP	15-16" wide
7C	104380-003	ADJUSTABLE FOOT REST STRAP	17-18" wide
7D	104380-004	ADJUSTABLE FOOT REST STRAP	19-22" wide
8	102268-001	HHCS M6 X 1 X 25	
12	104160	BUSHING FOOTREST	
9-12	107485	FOOTREST CLAMP ASSM	
>>>>		80 DEGREE HANGERS - SHORT EXT - RIGHT	
1A,2A,3-6,7A,8	107704	COMP STRT SHT EXT ASM 13"W R	Right- 80D- 13" W- SHORT
1A,2B,3-6,7A,8	107705	COMP STRT SHT EXT ASM 14"W R	Right- 80D- 14" W- SHORT
1A,2C,3-6,7B,8	107706	COMP STRT SHT EXT ASM 15"W R	Right- 80D- 15" W- SHORT
1A,2D,3-6,7B,8	107707	COMP STRT SHT EXT ASM 16"W R	Right- 80D- 16" W- SHORT
1A,2E,3-6,7C,8	107708	COMP STRT SHT EXT ASM 17"W R	Right- 80D- 17" W- SHORT
1A,2F,3-6,7C,8	107709	COMP STRT SHT EXT ASM 18"W R	Right- 80D- 18" W- SHORT
1A,2G,3-6,7D,8	107710	COMP STRT SHT EXT ASM 19 & 20"W R	Right- 80D- 19 & 20" W- SHORT
1A,2H,3-6,7D,8	111522	COMP STRT SHT EXT ASM 21 & 22"W R	Right- 80D- 21 & 22" W- SHORT
>>>>		80 DEGREE HANGERS - SHORT EXT - LEFT	
1A,2A,3-6,7A,8	107711	COMP STRT SHT EXT ASM 13"W L	LEFT- 80D- 13" W- SHORT
1A,2B,3-6,7A,8	107712	COMP STRT SHT EXT ASM 14"W L	LEFT- 80D- 14" W- SHORT
1A,2C,3-6,7B,8	107713	COMP STRT SHT EXT ASM 15"W L	LEFT- 80D- 15" W- SHORT
1A,2D,3-6,7B,8	107714	COMP STRT SHT EXT ASM 16"W L	LEFT- 80D- 16" W- SHORT
1A,2E,3-6,7C,8	107715	COMP STRT SHT EXT ASM 17"W L	LEFT- 80D- 17" W- SHORT
1A,2F,3-6,7C,8	107716	COMP STRT SHT EXT ASM 18"W L	LEFT- 80D- 18" W- SHORT
1A,2G,3-6,7D,8	107717	COMP STRT SHT EXT ASM 19 & 20"W L	LEFT- 80D- 19 & 20" W- SHORT
1A,2H,3-6,7D,8	111523	COMP STRT SHT EXT ASM 21 & 22"W L	LEFT- 80D- 21 & 22" W- SHORT
>>>>		80 DEGREE HANGERS - MED EXT - RIGHT	
1B,2A,3-6,7A,8	107718	COMP STRT MED EXT ASM 13"W R	Right- 80D- 13" W- MED
1B,2B,3-6,7A,8	107719	COMP STRT MED EXT ASM 14"W R	Right- 80D- 14" W- MED
1B,2C,3-6,7B,8	107720	COMP STRT MED EXT ASM 15"W R	Right- 80D- 15" W- MED
1B,2D,3-6,7B,8	107721	COMP STRT MED EXT ASM 16"W R	Right- 80D- 16" W- MED
1B,2E,3-6,7C,8	107722	COMP STRT MED EXT ASM 17"W R	Right- 80D- 17" W- MED



Pos.	Item Number	Description	Remarks
1B,2F,3-6,7C,8	107723	COMP STRT MED EXT ASM 18"W R	Right- 80D- 18" W- MED
1B,2G,3-6,7D,8	107724	COMP STRT MED EXT ASM 19 & 20"W R	Right- 80D- 19 & 20" W- MED
1B,2H,3-6,7D,8	111524	COMP STRT MED EXT ASM 21 & 22"W R	Right- 80D- 21 & 22" W- MED
>>>>		80 DEGREE HANGERS - MED EXT - LEFT	
1B,2A,3-6,7A,8	107725	COMP STRT MED EXT ASM 13"W L	LEFT- 80D- 13" W- MED
1B,2B,3-6,7A,8	107726	COMP STRT MED EXT ASM 14"W L	LEFT- 80D- 14" W- MED
1B,2C,3-6,7B,8	107727	COMP STRT MED EXT ASM 15"W L	LEFT- 80D- 15" W- MED
1B,2D,3-6,7B,8	107728	COMP STRT MED EXT ASM 16"W L	LEFT- 80D- 16" W- MED
1B,2E,3-6,7C,8	107729	COMP STRT MED EXT ASM 17"W L	LEFT- 80D- 17" W- MED
1B,2F,3-6,7C,8	107730	COMP STRT MED EXT ASM 18"W L	LEFT- 80D- 18" W- MED
1B,2G,3-6,7D,8	107731	COMP STRT MED EXT ASM 19 & 20"W L	LEFT- 80D- 19 & 20" W- MED
1B,2H,3-6,7D,8	111525	COMP STRT MED EXT ASM 21 & 22"W L	LEFT- 80D- 21 & 22" W- MED
>>>>		80 DEGREE HANGERS - LONG EXT - RIGHT	
1C,2A,3-6,7A,8	107732	COMP STRT LONG EXT ASM 13"W R	Right- 80D- 13" W- LONG
1C,2B,3-6,7A,8	107733	COMP STRT LONG EXT ASM 14"W R	Right- 80D- 14" W- LONG
1C,2C,3-6,7B,8	107734	COMP STRT LONG EXT ASM 15"W R	Right- 80D- 15" W- LONG
1C,2D,3-6,7B,8	107735	COMP STRT LONG EXT ASM 16"W R	Right- 80D- 16" W- LONG
1C,2E,3-6,7C,8	107736	COMP STRT LONG EXT ASM 17"W R	Right- 80D- 17" W- LONG
1C,2F,3-6,7C,8	107737	COMP STRT LONG EXT ASM 18"W R	Right- 80D- 18" W- LONG
1C,2G,3-6,7D,8	107738	COMP STRT LONG EXT ASM 19 & 20"W R	Right- 80D- 19 & 20" W- LONG
1C,2H,3-6,7D,8	111526	COMP STRT LONG EXT ASM 21 & 22"W R	Right- 80D- 21 & 22" W- LONG
>>>>		80 DEGREE HANGERS - LONG EXT - LEFT	
1C,2A,3-6,7A,8	107739	COMP STRT LONG EXT ASM 13"W L	LEFT- 80D- 13" W- LONG
1C,2B,3-6,7A,8	107740	COMP STRT LONG EXT ASM 14"W L	LEFT- 80D- 14" W- LONG
1C,2C,3-6,7B,8	107741	COMP STRT LONG EXT ASM 15"W L	LEFT- 80D- 15" W- LONG
1C,2D,3-6,7B,8	107742	COMP STRT LONG EXT ASM 16"W L	LEFT- 80D- 16" W- LONG
1C,2E,3-6,7C,8	107743	COMP STRT LONG EXT ASM 17"W L	LEFT- 80D- 17" W- LONG
1C,2F,3-6,7C,8	107744	COMP STRT LONG EXT ASM 18"W L	LEFT- 80D- 18" W- LONG
1C,2G,3-6,7D,8	107745	COMP STRT LONG EXT ASM 19 & 20"W L	LEFT- 80D- 19 & 20" W- LONG
1C,2H,3-6,7D,8	111527	COMP STRT LONG EXT ASM 21 & 22"W L	LEFT- 80D- 21 & 22" W- LONG
>>>>		60°,70° SHORT EXT - RIGHT	
1D,2A,3-6,7A,8	107746	COMP BNT SHT EXT ASM 13" W R	Right- 70D- 13" W- SHORT
1D,2B,3-6,7A,8	107747	COMP BNT SHT EXT ASM 14" W R	Right- 70D- 14" W- SHORT
1D,2C,3-6,7B,8	107748	COMP BNT SHT EXT ASM 15" W R	Right- 70D- 15" W- SHORT
1D,2D,3-6,7B,8	107749	COMP BNT SHT EXT ASM 16" W R	Right- 70D- 16" W- SHORT
1D,2E,3-6,7C,8	107750	COMP BNT SHT EXT ASM 17" W R	Right- 70D- 17" W- SHORT
1D,2F,3-6,7C,8	107751	COMP BNT SHT EXT ASM 18" W R	Right- 70D- 18" W- SHORT
1D,2G,3-6,7D,8	107752	COMP BNT SHT EXT ASM 19 & 20"W R	Right- 70D- 19 & 20" W- SHORT
1D,2H,3-6,7D,8	111528	COMP BNT SHT EXT ASM 21 & 22"W R	Right- 70D- 21 & 22" W- SHORT
>>>>		60°,70° - SHORT EXT - LEFT	
1D,2A,3-6,7A,8	107753	COMP BNT SHT EXT ASM 13" W L	Left- 70D- 13 W- SHORT
1D,2B,3-6,7A,8	107754	COMP BNT SHT EXT ASM 14" W L	Left- 70D- 14 W- SHORT
1D,2C,3-6,7B,8	107755	COMP BNT SHT EXT ASM 15" W L	Left- 70D- 15 W- SHORT
1D,2D,3-6,7B,8	107756	COMP BNT SHT EXT ASM 16" W L	Left- 70D- 16 W- SHORT
1D,2E,3-6,7C,8	107757	COMP BNT SHT EXT ASM 17" W L	Left- 70D- 17 W- SHORT
1D,2F,3-6,7C,8	107758	COMP BNT SHT EXT ASM 18" W L	Left- 70D- 18 W- SHORT
1D,2G,3-6,7D,8	107759	COMP BNT SHT EXT ASM 19 & 20"W L	Left- 70D- 19 & 20" W- SHORT
1D,2H,3-6,7D,8	111529	COMP BNT SHT EXT ASM 21 & 22"W L	Left- 70D- 21 & 22" W- SHORT
>>>>		60°,70°,60°&70° HEMI HANGERS - MED EXT - RIGHT	
1E,2A,3-6,7A,8	107760	COMP BNT MED EXT ASM 13" W R	Right- 70D- 13" W- MED
1E,2B,3-6,7A,8	107761	COMP BNT MED EXT ASM 14" W R	Right- 70D- 14" W- MED
1E,2C,3-6,7B,8	107762	COMP BNT MED EXT ASM 15" W R	Right- 70D- 15" W- MED
1E,2D,3-6,7B,8	107763	COMP BNT MED EXT ASM 16" W R	Right- 70D- 16" W- MED
1E,2E,3-6,7C,8	107764	COMP BNT MED EXT ASM 17" W R	Right- 70D- 17" W- MED
1E,2F,3-6,7C,8	107765	COMP BNT MED EXT ASM 18" W R	Right- 70D- 18" W- MED
1E,2G,3-6,7D,8	107766	COMP BNT MED EXT ASM 19 & 20"W R	Right- 70D- 19 & 20" W- MED
1E,2H,3-6,7D,8	111530	COMP BNT MED EXT ASM 21 & 22"W R	Right- 70D- 21 & 22" W- MED

Pos.	Item Number	Description	Remarks
>>>>		60°,70°,60°&70° HEMI HANGERS - MED EXT - LEFT	
1E,2A,3-6,7A,8	107767	COMP BNT MED EXT ASM 13" W L	Left- 70D- 13 W- MED
1E,2B,3-6,7A,8	107768	COMP BNT MED EXT ASM 14" W L	Left- 70D- 14 W- MED
1E,2C,3-6,7B,8	107769	COMP BNT MED EXT ASM 15" W L	Left- 70D- 15 W- MED
1E,2D,3-6,7B,8	107770	COMP BNT MED EXT ASM 16" W L	Left- 70D- 16 W- MED
1E,2E,3-6,7C,8	107771	COMP BNT MED EXT ASM 17" W L	Left- 70D- 17 W- MED
1E,2F,3-6,7C,8	107772	COMP BNT MED EXT ASM 18" W L	Left- 70D- 18 W- MED
1E,2G,3-6,7D,8	107773	COMP BNT MED EXT ASM 19 & 20"W L	Left- 70D- 19 & 20" W- MED
1E,2H,3-6,7D,8	111531	COMP BNT MED EXT ASM 21 & 22"W L	Left- 70D- 21 & 22" W- MED
>>>>		60°,70°,60°&70° HEMI HANGERS - LONG EXT - RIGHT	
1F,2A,3-6,7A,8	107774	COMP BNT LONG EXT ASM 13" W R	Right- 70D- 13" W- LONG
1F,2B,3-6,7A,8	107775	COMP BNT LONG EXT ASM 14" W R	Right- 70D- 14" W- LONG
1F,2C,3-6,7B,8	107776	COMP BNT LONG EXT ASM 15" W R	Right- 70D- 15" W- LONG
1F,2D,3-6,7B,8	107777	COMP BNT LONG EXT ASM 16" W R	Right- 70D- 16" W- LONG
1F,2E,3-6,7C,8	107778	COMP BNT LONG EXT ASM 17" W R	Right- 70D- 17" W- LONG
1F,2F,3-6,7C,8	107779	COMP BNT LONG EXT ASM 18" W R	Right- 70D- 18" W- LONG
1F,2G,3-6,7D,8	107780	COMP BNT LONG EXT ASM 19 & 20"W R	Right- 70D- 19 & 20" W- LONG
1F,2H,3-6,7D,8	111532	COMP BNT LONG EXT ASM 21 & 22"W R	Right- 70D- 21 & 22" W- LONG
>>>>		60°,70°,60°&70° HEMI HANGERS - LONG EXT - LEFT	
1F,2A,3-6,7A,8	107781	COMP BNT LONG EXT ASM 13" W L	Left- 70D- 13 W- LONG
1F,2B,3-6,7A,8	107782	COMP BNT LONG EXT ASM 14" W L	Left- 70D- 14 W- LONG
1F,2C,3-6,7B,8	107783	COMP BNT LONG EXT ASM 15" W L	Left- 70D- 15 W- LONG
1F,2D,3-6,7B,8	107784	COMP BNT LONG EXT ASM 16" W L	Left- 70D- 16 W- LONG
1F,2E,3-6,7C,8	107785	COMP BNT LONG EXT ASM 17" W L	Left- 70D- 17 W- LONG
1F,2F,3-6,7C,8	107786	COMP BNT LONG EXT ASM 18" W L	Left- 70D- 18 W- LONG
1F,2G,3-6,7D,8	107787	COMP BNT LONG EXT ASM 19 & 20"W L	Left- 70D- 19 & 20" W- LONG
1F,2H,3-6,7D,8	111533	COMP BNT LONG EXT ASM 21 & 22"W L	Left- 70D- 21 & 22" W- LONG
>>>>		60°&70° HEMI HANGER SHORT EXT- RIGHT	
1G,2A,3-6,7A,8	129724	CMP FT BNT KIT SHT HNGR 13W R	Right-Hemi-13W; add Ext behind the Hemi
1G,2B,3-6,7A,8	129726	CMP FT BNT KIT SHT HNGR 14W R	Right-Hemi-14W; add Ext behind the Hemi
1G,2C,3-6,7B,8	129728	CMP FT BNT KIT SHT HNGR 15W R	Right-Hemi-15W; add Ext behind the Hemi
1G,2D,3-6,7B,8	129730	CMP FT BNT KIT SHT HNGR 16W R	Right-Hemi-16W; add Ext behind the Hemi
1G,2E,3-6,7C,8	129732	CMP FT BNT KIT SHT HNGR 17W R	Right-Hemi-17W; add Ext behind the Hemi
1G,2F,3-6,7C,8	129734	CMP FT BNT KIT SHT HNGR 18W R	Right-Hemi-18W; add Ext behind the Hemi
1G,2G,3-6,7D,8	129736	CMP FT BNT KIT SHT HNGR 19-20W R	Right-Hemi-19-20W; add Ext behind the Hemi
1G,2H,3-6,7D,8	129738	CMP FT BNT KIT SHT HNGR 21-22W R	Right-Hemi-21-22W; add Ext behind the Hemi
>>>>		60°&70° HEMI HANGER SHORT EXT- LEFT	
1G,2A,3-6,7A,8	129725	CMP FT BNT KIT SHT HNGR 13W L	Left-Hemi-13W; add Ext behind the Hemi
1G,2B,3-6,7A,8	129727	CMP FT BNT KIT SHT HNGR 14W L	Left-Hemi-14W; add Ext behind the Hemi
1G,2C,3-6,7B,8	129729	CMP FT BNT KIT SHT HNGR 15W L	Left-Hemi-15W; add Ext behind the Hemi
1G,2D,3-6,7B,8	129731	CMP FT BNT KIT SHT HNGR 16W L	Left-Hemi-16W; add Ext behind the Hemi
1G,2E,3-6,7C,8	129733	CMP FT BNT KIT SHT HNGR 17W L	Left-Hemi-17W; add Ext behind the Hemi
1G,2F,3-6,7C,8	129735	CMP FT BNT KIT SHT HNGR 18W L	Left-Hemi-18W; add Ext behind the Hemi
1G,2G,3-6,7D,8	129737	CMP FT BNT KIT SHT HNGR 19-20W L	Left-Hemi-19-20W; add Ext behind the Hemi
1G,2H,3-6,7D,8	129739	CMP FT BNT KIT SHT HNGR 21-22W L	Left-Hemi-21-22W; add Ext behind the Hemi
		Ship assembled part #	Use with multiple assemblies
	ASSY-HNG-FP	HANGER/FOOTPLATE ASSY REQUIRED	add with Hanger & Footplate kit

**Note:** Footplate Assemblies are set to footrest width; please see "Footplate Formula" table for seat width conversion.

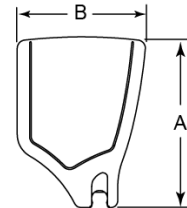
Note: If using Short Ext Tube & Hemi Hanger with Composite Angle Adjustable Footplate use 1D (straight) .

Note: V Style Hangers are not available on Swing Away Style chairs effective 7/14/14; see the "Prior To" ordering guide for V Style footplate assemblies.

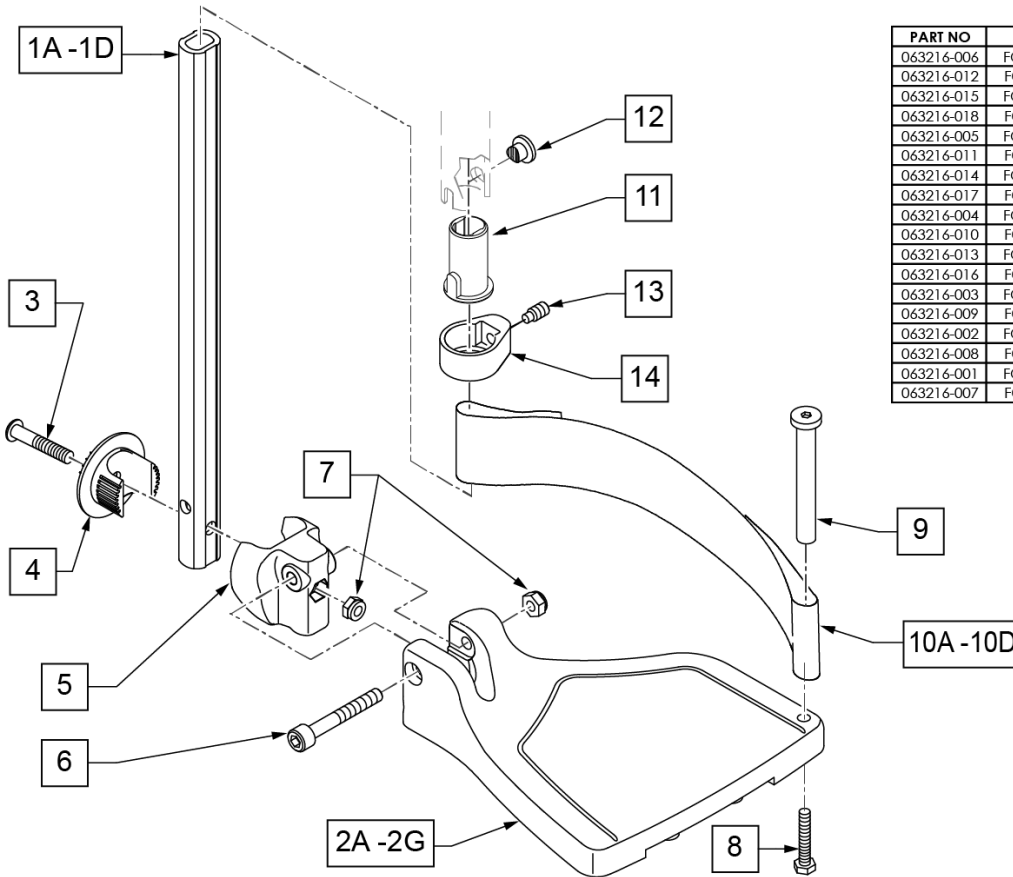
To have complete Footrest ship assembled, choose compatible Hanger + Footplate part numbers and add "ASSY-HNG-FP" to order

**ADD INSET FORMULA**  
 0" Inset (Seat Width) = Footrest Width  
 1" Inset (Seat Width) -2" = Footrest Width  
 2" Inset (Seat Width) -4" = Footrest Width  
 "V" Hanger (Seat Width) -4" = Footrest Width  
 Offset Hanger Receiver (Seat Width) +2" = Footrest Width  
 Flared Frame (Seat Width) = 2" = Footrest Width

**FOOTPLATE MEASURING GUIDE**



PART NO	DESCRIPTION	DIM -A-	DIM -B-
063216-006	FOOTPLATE COMPOSITE 157 R	6 1/8"	6"
063216-012	FOOTPLATE COMPOSITE 157 L	6 1/8"	6"
063216-015	FOOTPLATE COMPOSITE 170 R	6 5/8"	6"
063216-018	FOOTPLATE COMPOSITE 170 L	6 5/8"	6"
063216-005	FOOTPLATE COMPOSITE 182 R	7 1/8"	6"
063216-011	FOOTPLATE COMPOSITE 182 L	7 1/8"	6"
063216-014	FOOTPLATE COMPOSITE 195 R	7 5/8"	6"
063216-017	FOOTPLATE COMPOSITE 195 L	7 5/8"	6"
063216-004	FOOTPLATE COMPOSITE 207 R	8 1/8"	6"
063216-010	FOOTPLATE COMPOSITE 207 L	8 1/8"	6"
063216-013	FOOTPLATE COMPOSITE 220 R	8 5/8"	6 1/4"
063216-016	FOOTPLATE COMPOSITE 220 L	8 5/8"	6 1/4"
063216-003	FOOTPLATE COMPOSITE 232 R	9 1/8"	6 1/4"
063216-009	FOOTPLATE COMPOSITE 232 L	9 1/8"	6 1/4"
063216-002	FOOTPLATE COMPOSITE 257 R	10 1/8"	6 1/4"
063216-008	FOOTPLATE COMPOSITE 257 L	10 1/8"	6 1/4"
063216-001	FOOTPLATE COMPOSITE 282 R	11 1/8"	6 1/4"
063216-007	FOOTPLATE COMPOSITE 282 L	11 1/8"	6 1/4"



Pos.	Item Number	Description	Remarks
1A,6,7	120660	SHT STRT EXT COMP HDWR	
1B,6,7	120661	MED STRT EXT COMP HDWR	
1C,6,7	120662	LNG STRT EXT COMP HDWR	
1D	128079	TUBE FTRST EXT STRGHT SHT HEMI	Use for Hemi Ext Tube option
2A	063216-006	COMPOSITE FOOTPLATE RIGHT	RIGHT 15" Footrest Width

Pos.	Item Number	Description	Remarks
2A	063216-012	COMPOSITE FOOTPLATE LEFT	LEFT 15" Footrest Width
2B	063216-015	COMPOSITE FOOTPLATE RIGHT	RIGHT 16" Footrest Width
2B	063216-018	COMPOSITE FOOTPLATE LEFT	LEFT 16" Footrest Width
2C	063216-005	COMPOSITE FOOTPLATE RIGHT	RIGHT 17" Footrest Width
2C	063216-011	COMPOSITE FOOTPLATE LEFT	LEFT 17" Footrest Width
2D	063216-014	COMPOSITE FOOTPLATE RIGHT	RIGHT 18" Footrest Width
2D	063216-017	COMPOSITE FOOTPLATE LEFT	LEFT 18" Footrest Width
2E	063216-004	COMPOSITE FOOTPLATE RIGHT	RIGHT 19" Footrest Width
2E	063216-010	COMPOSITE FOOTPLATE LEFT	LEFT 19" Footrest Width
2F	063216-013	COMPOSITE FOOTPLATE RIGHT	RIGHT 20" Footrest Width
2F	063216-016	COMPOSITE FOOTPLATE LEFT	LEFT 20" Footrest Width
2G	063216-003	COMPOSITE FOOTPLATE RIGHT	RIGHT 21" & 22" Footrest Width
2G	063216-009	COMPOSITE FOOTPLATE LEFT	LEFT 21" & 22" Footrest Width
3	108233	BHCS M6 X 1 X 40	
4	054242	ANGLE COVER	
5	054241	ANGLE SEGMENT	
6	103175	SHCS M6 X 1 X 40 INORG	
7	132626	NUT AUTOMATION M6 X 1.0	
8	102268-001	HHCS M6X1X25	Inserted in bottom of footplate.
9	104328	HEEL LOOP PEG	
10A	104380-001	ADJUSTABLE FOOT REST STRAP	15" Footrest Width
10B	104380-002	ADJUSTABLE FOOT REST STRAP	16" Footrest Width
10C	104380-003	ADJUSTABLE FOOT REST STRAP	17-18" Footrest Width
10D	104380-004	ADJUSTABLE FOOT REST STRAP	19-22" Footrest Width
11	104160	BUSHING FOOTREST	
11-14	107485	FOOTREST CLAMP ASSM	
>>>>		60,70,80 HANGERS - SHORT EXT - RIGHT	
1A,2A,3-10A	107816	CAA STRT SHT EXT ASM 15W R	Right- 15 W- SHORT
1A,2B,3-10B	107817	CAA STRT SHT EXT ASM 16W R	Right- 16 W- SHORT
1A,2C,3-10B	107818	CAA STRT SHT EXT ASM 17W R	Right- 17 W- SHORT
1A,2D,3-10C	107819	CAA STRT SHT EXT ASM 18W R	Right- 18 W- SHORT
1A,2E,3-10C	107820	CAA STRT SHT EXT ASM 19W R	Right- 19 W- SHORT
1A,2F,3-10D	107821	CAA STRT SHT EXT ASM 20W R	Right- 20 W- SHORT
1A,2G,3-10D	107822	CAA STRT SHT EXT ASM 21&22W R	Right- 21&22 W- SHORT
>>>>		60,70,80 HANGERS - SHORT EXT - LEFT	
1A,2A,3-10A	107823	CAA STRT SHT EXT ASM 15W L	Left- 15 W- SHORT
1A,2B,3-10B	107824	CAA STRT SHT EXT ASM 16W L	Left- 16 W- SHORT
1A,2C,3-10B	107825	CAA STRT SHT EXT ASM 17W L	Left- 17 W- SHORT
1A,2D,3-10C	107826	CAA STRT SHT EXT ASM 18W L	Left- 18 W- SHORT
1A,2E,3-10C	107827	CAA STRT SHT EXT ASM 19W L	Left- 19 W- SHORT
1A,2F,3-10D	107828	CAA STRT SHT EXT ASM 20W L	Left- 20 W- SHORT
1A,2G,3-10D	107829	CAA STRT SHT EXT ASM 21&22W L	Left- 21&22 W- SHORT
>>>>		60,70,80& 60,70 HEMI HANGER- RIGHT	
1B,2A,3-10A	107830	CAA STRT MED EXT ASM 15W R	Right- 15 W- MED
1B,2B,3-10B	107831	CAA STRT MED EXT ASM 16W R	Right- 16 W- MED
1B,2C,3-10B	107832	CAA STRT MED EXT ASM 17W R	Right- 17 W- MED
1B,2D,3-10C	107833	CAA STRT MED EXT ASM 18W R	Right- 18 W- MED
1B,2E,3-10C	107834	CAA STRT MED EXT ASM 19W R	Right- 19 W- MED
1B,2F,3-10D	107835	CAA STRT MED EXT ASM 20W R	Right- 20 W- MED
1B,2G,3-10D	107836	CAA STRT MED EXT ASM 21&22W R	Right- 21&22 W- MED
>>>>		60,70,80& 60,70 HEMI HANGER- LEFT	
1B,2A,3-10A	107837	CAA STRT MED EXT ASM 15W L	Left- 15 W- MED
1B,2B,3-10B	107838	CAA STRT MED EXT ASM 16W L	Left- 16 W- MED
1B,2C,3-10B	107839	CAA STRT MED EXT ASM 17W L	Left- 17 W- MED
1B,2D,3-10C	107840	CAA STRT MED EXT ASM 18W L	Left- 18 W- MED
1B,2E,3-10C	107841	CAA STRT MED EXT ASM 19W L	Left- 19 W- MED
1B,2F,3-10D	107842	CAA STRT MED EXT ASM 20W L	Left- 20 W- MED

Pos.	Item Number	Description	Remarks
1B,2G,3-10D	107843	CAA STRT MED EXT ASM 21&22W L	Left- 21&22 W- MED
>>>>		60,70,80& 60,70 HEMI HANGER- RIGHT	
1C,2A,3-10A	107844	CAA STRT LNG EXT ASM 15W R	Right- 15 W- LONG
1C,2B,3-10B	107845	CAA STRT LNG EXT ASM 16W R	Right- 16 W- LONG
1C,2C,3-10B	107846	CAA STRT LNG EXT ASM 17W R	Right- 17 W- LONG
1C,2D,3-10C	107847	CAA STRT LNG EXT ASM 18W R	Right- 18 W- LONG
1C,2E,3-10C	107848	CAA STRT LNG EXT ASM 19W R	Right- 19 W- LONG
1C,2F,3-10D	107849	CAA STRT LNG EXT ASM 20W R	Right- 20 W- LONG
1C,2G,3-10D	107850	CAA STRT LNG EXT ASM 21&22W R	Right- 21&22 W- LONG
>>>>		60,70,80& 60,70 HEMI HANGER- LEFT	
1C,2A,3-10A	107851	CAA STRT LNG EXT ASM 15W L	Left- 15 W- LONG
1C,2B,3-10B	107852	CAA STRT LNG EXT ASM 16W L	Left- 16 W- LONG
1C,2C,3-10B	107853	CAA STRT LNG EXT ASM 17W L	Left- 17 W- LONG
1C,2D,3-10C	107854	CAA STRT LNG EXT ASM 18W L	Left- 18 W- LONG
1C,2E,3-10C	107855	CAA STRT LNG EXT ASM 19W L	Left- 19 W- LONG
1C,2F,3-10D	107856	CAA STRT LNG EXT ASM 20W L	Left- 20 W- LONG
1C,2G,3-10D	107857	CAA STRT LNG EXT ASM 21&22W L	Left- 21&22 W- LONG
>>>>		60&70 HEMI HANGERS- SHORT EXT- RIGHT	
1D,2A,3-10A	129710	CAA FOOT KIT SHT HNGR 15W R	Right-Hemi-15W; add Ext behind the Hemi
1D,2B,3-10B	129712	CAA FOOT KIT SHT HNGR 16W R	Right-Hemi-16W; add Ext behind the Hemi
1D,2C,3-10B	129714	CAA FOOT KIT SHT HNGR 17W R	Right-Hemi-17W; add Ext behind the Hemi
1D,2D,3-10C	129716	CAA FOOT KIT SHT HNGR 18W R	Right-Hemi-18W; add Ext behind the Hemi
1D,2E,3-10C	129718	CAA FOOT KIT SHT HNGR 19W R	Right-Hemi-19W; add Ext behind the Hemi
1D,2F,3-10D	129720	CAA FOOT KIT SHT HNGR 20W R	Right-Hemi-20W; add Ext behind the Hemi
1D,2G,3-10D	129722	CAA FOOT KIT SHT HNGR 22W R	Right-Hemi-21&22W; add Ext behind the Hemi
>>>>		60&70 HEMI HANGERS- SHORT EXT - LEFT	
1D,2A,3-10A	129711	CAA FOOT KIT SHT HNGR 15W L	Left-Hemi-15W; add Ext behind the Hemi
1D,2B,3-10B	129713	CAA FOOT KIT SHT HNGR 16W L	Left-Hemi-16W; add Ext behind the Hemi
1D,2C,3-10B	129715	CAA FOOT KIT SHT HNGR 17W L	Left-Hemi-17W; add Ext behind the Hemi
1D,2D,3-10C	129717	CAA FOOT KIT SHT HNGR 18W L	Left-Hemi-18W; add Ext behind the Hemi
1D,2E,3-10C	129719	CAA FOOT KIT SHT HNGR 19W L	Left-Hemi-19W; add Ext behind the Hemi
1D,2F,3-10D	129721	CAA FOOT KIT SHT HNGR 20W L	Left-Hemi-20W; add Ext behind the Hemi
1D,2G,3-10D	129723	CAA FOOT KIT SHT HNGR 22W L	Left-Hemi-21&22W; add Ext behind the Hemi
		Ship assembled part #	Use with multiple assemblies
	ASSY-HNG-FP	HANGER/FOOTPLATE ASSY REQUIRED	add with Hanger & Footplate kit

**Note:** Footplate Assemblies are set to footrest width; please see "Footplate Formula" table for seat width conversion.

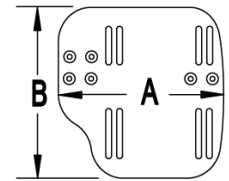
Note: If using Short Ext Tube & Hemi Hanger with Adult Angle Adjustable Footplate use 1D (straight) .

Note: V Style Hangers are not available on Swing Away Style chairs effective 7/14/14; see the "Prior To" ordering guide for V Style footplate assemblies.

Note: for QX Series or SR45 footplate replacement parts see the ordering guide marked specifically for these two models in the informations panel.

Note: if chair has High Mount Ext Tubes or if switching to High Mount Ext Tubes, see AAA Footplate w/ High Mount Extension Ordering Guide.

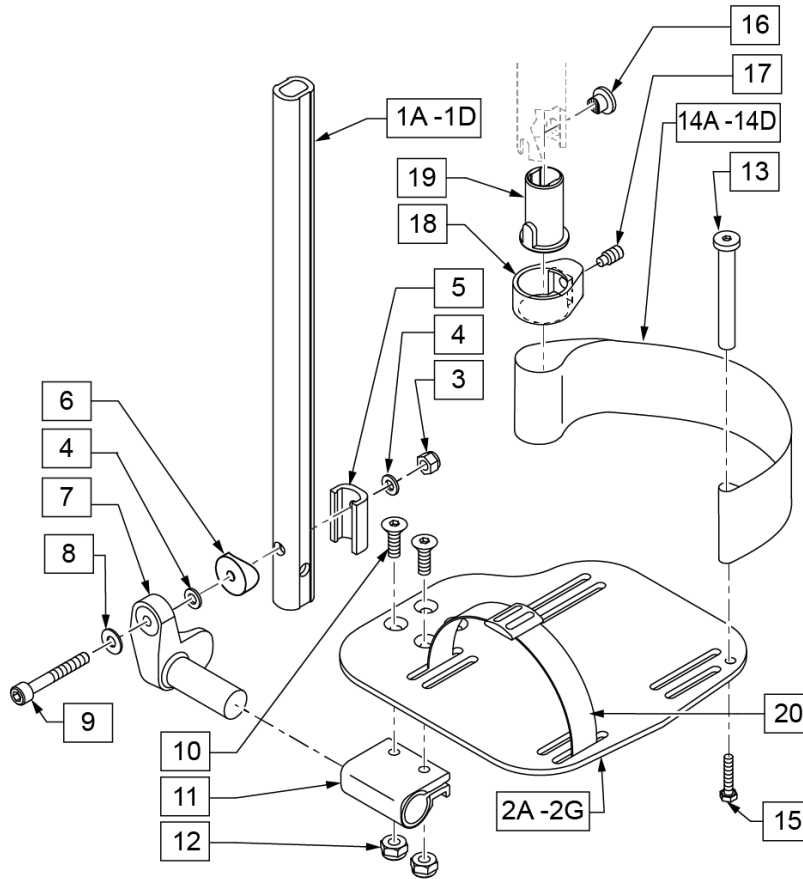
MEASURING GUIDE



CHAIR WIDTH	"A"	"B"
10" - 11"	3 1/2"	7 1/4"
12" - 13"	4 1/2"	7 3/4"
14" - 15"	5 1/2"	7 3/4"
16" - 17"	6 1/2"	7 3/4"
18" - 20"	7 1/2"	7 3/4"

To have complete Footrest ship assembled, choose compatible Hanger + Footplate part numbers and add "ASSY-HNG-FP" to order

**ADD INSET FORMULA**  
 0" Inset (Seat Width) = Footrest Width  
 1" Inset (Seat Width) -2" = Footrest Width  
 2" Inset (Seat Width) -4" = Footrest Width  
 "V" Hanger (Seat Width) -4" = Footrest Width  
 Offset Hanger Receiver (Seat Width) +2" = Footrest Width  
 Flared Frame (Seat Width) = 2" = Footrest Width



21 EXT MNT HARDWARE 1 SIDE			
ITEM #	ILLUSTRATION	DESCRIPTION	QTY
3		NUT AUTOMATION M6 X 1.0 ROHS	1
4		WASHER FLAT THIN AN 1/4	2
5		HANGER EXTENSION SADDLE	1
6		3/4" SADDLE 1" OD	1
8		WASHER FLAT SAE 1/4 ROHS	1
9		SHCS M6X1X45 12MM PART THD	1

Pos.	Item Number	Description	Remarks
1A,3-6,8,9	120670	SHT STRT EXT AAA HDWR	
1B,3-6,8,9	120671	MED STRT EXT AAA HDWR	
1C,3-6,8,9	120672	LNG STRT EXT AAA HDWR	
1D	128079	TUBE FTRST EXT STRGHT SHT HEMI	Use for Hemi Ext Tube option
2A	500656	ADULT ANG ADJ F/PLT 10/11" R	RIGHT 10-11" Footrest Width
2A	500657	ADULT ANG ADJ F/PLT 10/11" L	LEFT 10-11" Footrest Width
2B	500658	ADULT ANG ADJ F/PLT 12/13" R	RIGHT 12-13" Footrest Width
2B	500659	ADULT ANG ADJ F/PLT 12/13" L	LEFT 12-13" Footrest Width
2C	500660	ADLT ANGL ADJ F/PLT 14/15	RIGHT 14-15" Footrest Width
2C	500661	ADLT ANGL ADJ F/PLT 14/15	LEFT 14-15" Footrest Width
2D	500662	ADLT ANGL ADJ F/PLT 16/17	RIGHT 16-17" Footrest Width
2D	500663	ADLT ANGL ADJ F/PLT 16/17	LEFT 16-17" Footrest Width
2E	500664	ADLT ANGL ADJ F/PLT 18-20	RIGHT 18-22" Footrest Width
2E	500665	ADLT ANGL ADJ F/PLT 18-20	LEFT 18-22" Footrest Width
3	132626	NUT AUTOMATION M6 X 1.0	
4	106944	WASHER FLAT THIN AN 1/4 ROHS	
5	107199	HANGER EXTENSION SADDLE	
6	104377	3/4" SADDLE THIN	
7	541002	FTRST MOUNTING BRKT-3/8 RAD R	RIGHT
7	541003	FTRST MOUNTING BRKT-3/8 RAD L	LEFT

Pos.	Item Number	Description	Remarks
8	106945	WASHER FLAT SAE 1/4 ROHS	
9	104399	SHCS M6X1X45 12 MM PART THD	
10	106978	FHCS 1/4-28 X 7/8 ROHS	
11	550350	3/4" CLMP ADJ FT PLT	
12	106935	NUT NYLOCK THIN 1/4-28 ROHS	
13	104328	POST HEEL LOOP	
14A	104380-001	ADJUSTABLE FOOT REST STRAP	12 - 14" WIDE
14B	104380-002	ADJUSTABLE FOOT REST STRAP	15 - 16" WIDE
14C	104380-003	ADJUSTABLE FOOT REST STRAP	17 - 18" WIDE
14D	104380-004	ADJUSTABLE FOOT REST STRAP	19 - 20" WIDE
15	102268-001	HHCS M6 X 1 X 25	
16-19	107485	FOOTREST CLAMP ASSM	
20	740260	TOE-ANKLE STRAP ADJ ADULT FOOTPLATE	
21	120659	EXT MNT HARDWARE 1 SIDE	
>>>>		60,70,80 STD HANGERS - RIGHT	
1A,2B,3-14A,15	111534	AAA STRT SHT EXT ASM 12-13" W R	Right- 12-13" W- SHORT
1A,2C,3-14B,15	107928	AAA STRT SHT EXT ASM 14-15" W R	Right- 14-15" W- SHORT
1A,2D,3-14C,15	107930	AAA STRT SHT EXT ASM 16-17" W R	Right- 16-17" W- SHORT
1A,2E,3-14D,15	107932	AAA STRT SHT EXT ASM 18-22" W R	Right- 18-22" W- SHORT
>>>>		60,70,80 STD HANGERS - LEFT	
1A,2B,3-14A,15	111535	AAA STRT SHT EXT ASM 12-13" W L	Left- 12-13" W- SHORT
1A,2C,3-14B,15	107935	AAA STRT SHT EXT ASM 14" W L	Left- 14-15" W- SHORT
1A,2D,3-14C,15	107937	AAA STRT SHT EXT ASM 16" W L	Left- 16-17" W- SHORT
1A,2E,3-14D,15	107939	AAA STRT SHT EXT ASM 18" W L	Left- 18-22" W- SHORT
>>>>		60,70,80 & 60,70 HEMI HANGERS - RIGHT	
1B,2B,3-14A,15	111536	AAA STRT MED EXT ASM 12-13" W R	Right- 12-13" W- MED
1B,2C,3-14B,15	107942	AAA STRT MED EXT ASM 14-15" W R	Right- 14-15" W- MED
1B,2D,3-14C,15	107944	AAA STRT MED EXT ASM 16-17" W R	Right- 16-17" W- MED
1B,2E,3-14D,15	107946	AAA STRT MED EXT ASM 18-22" W R	Right- 18-22" W- MED
>>>>		60,70,80 & 60,70 HEMI HANGERS - LEFT	
1B,2B,3-14A,15	111537	AAA STRT MED EXT ASM 12-13" W L	Left- 12-13" W- MED
1B,2C,3-14B,15	107949	AAA STRT MED EXT ASM 14" W L	Left- 14-15" W- MED
1B,2D,3-14C,15	107951	AAA STRT MED EXT ASM 16" W L	Left- 16-17" W- MED
1B,2E,3-14D,15	107953	AAA STRT MED EXT ASM 18" W L	Left- 18-22" W- MED
>>>>		60,70,80 & 60,70 HEMI HANGERS - RIGHT	
1C,2B,3-14A,15	111538	AAA STRT LNG EXT ASM 12-13" W R	Right- 12-13" W- LONG
1C,2C,3-14B,15	107956	AAA STRT LNG EXT ASM 14 -15" W R	Right- 14-15" W- LONG
1C,2D,3-14C,15	107958	AAA STRT LNG EXT ASM 16 -17" W R	Right- 16-17" W- LONG
1C,2E,3-14D,15	107960	AAA STRT LNG EXT ASM 18 -22" W R	Right- 18-22" W- LONG
>>>>		60,70,80 & 60,70 HEMI HANGERS - LEFT	
1C,2B,3-14A,15	111539	AAA STRT LNG EXT ASM 12-13" W L	Left- 12-13" W- LONG
1C,2C,3-14B,15	107963	AAA STRT LNG EXT ASM 14W L	Left- 14-15" W- LONG
1C,2D,3-14C,15	107965	AAA STRT LNG EXT ASM 16W L	Left- 16-17" W- LONG
1C,2E,3-14D,15	107968	AAA STRT LNG EXT ASM 18W L	Left- 18-22" W- LONG
>>>>		60&70 HEMI HANGERS - SHORT EXT - RIGHT	
1D,2B,3-14A,15	129756	AAA FOOT KIT SHT HNGR 12W R	Right- 12-13" W- SHORT; add Ext behind the Hemi
1D,2C,3-14B,15	129758	AAA FOOT KIT SHT HNGR 14W R	Right- 14-15" W- SHORT; add Ext behind the Hemi
1D,2D,3-14C,15	129760	AAA FOOT KIT SHT HNGR 16W R	Right- 16-17" W- SHORT; add Ext behind the Hemi
1D,2E,3-14D,15	129762	AAA FOOT KIT SHT HNGR 18W R	Right- 18-22" W- SHORT; add Ext behind the Hemi
>>>>		60&70 HEMI HANGERS - SHORT EXT -LEFT	
1D,2B,3-14A,15	129757	AAA FOOT KIT SHT HNGR 12W L	Left- 12-13" W-SHORT; add Ext behind the Hemi
1D,2C,3-14B,15	129759	AAA FOOT KIT SHT HNGR 14W L	Left- 14-15" W- SHORT; add Ext behind the Hemi
1D,2D,3-14C,15	129761	AAA FOOT KIT SHT HNGR 16W L	Left- 16-17" W- SHORT; add Ext behind the Hemi
1D,2E,3-14D,15	129763	AAA FOOT KIT SHT HNGR 18W L	Left- 18-22" W- SHORT; add Ext behind the Hemi
		Ship assembled part #	Use with multiple assemblies
	ASSY-HNG-FP	HANGER/FOOTPLATE ASSY REQUIRED	add with Hanger & Footplate kit



**Note:** Footplate Assemblies are set to footrest width; please see "Footplate Formula" table for seat width conversion.

Note: V Style Hangers are not available on Swing Away Style chairs effective 7/14/14; see the "Prior To" ordering guide for V Style footplate assemblies.

**Note:** Zippie Iris (ZRS&ZRSE) and Zippie TS (Z1A&Z1SE) only use Straight Extension Tube.

Note: if chair has High Mount Ext Tubes or if switching to High Mount Ext Tubes, see KAA Footplate w/ High Mount Extension Ordering Guide.

To have complete Footrest ship assembled, choose compatible Hanger + Footplate part numbers and add "ASSY-HNG-FP" to order

**FOOTPLATE FORMULA**

0" Inset (Seat Width) = Footrest Width  
 1" Inset (Seat Width) -2" = Footrest Width  
 V Hanger (Seat Width) -4" = Footrest Width  
 Offset Hanger Receiver (Seat Width) +2" = Footrest Width

**MEASURING GUIDE**

CHAIR WIDTH	"A"	"B"
10" W	3.55"	6.00"
11" W	4.05"	6.00"
12" W	4.55"	6.00"
13" W	5.05"	6.00"
14" W	5.55"	6.00"
15" W	6.05"	6.00"
16" W	6.55"	6.00"

**\* NOTE:**  
 ITEMS 5, 8 & 11 NOT INCLUDED W/ FOOTPLATE ASSEMBLY  
 ITEMS 5, 8 & 11 INCLUDED W/ EXTENSION TUBE ASSEMBLY FOR STANDARD HANGERS  
 FOR ELEVATING LEGREST, ORDER QTY 2 OF ITEMS 5, 8 & 11

Pos.	Item Number	Description	Remarks
1	106978	FHCS 1/4 -28 x 7/8 ROHS	

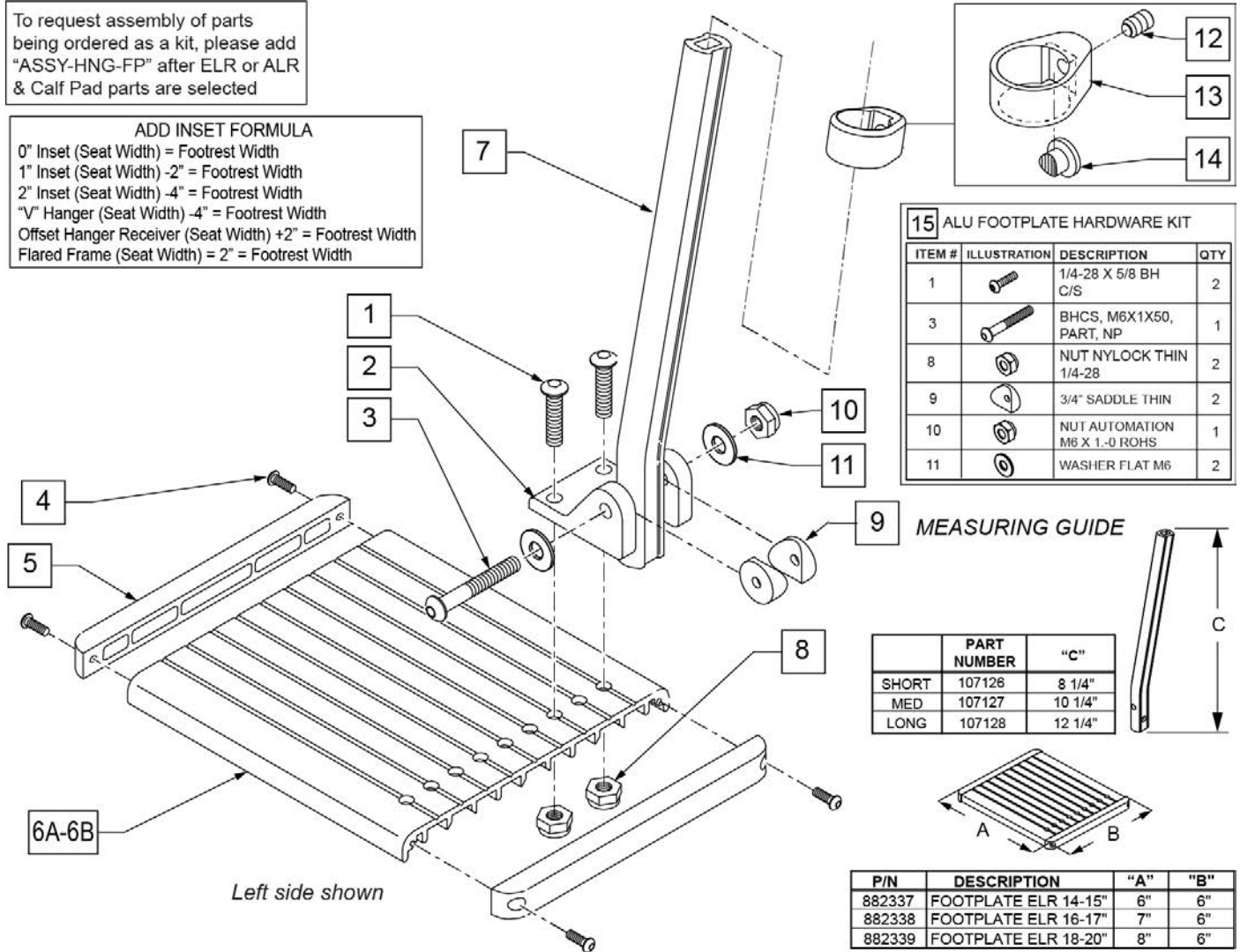
Pos.	Item Number	Description	Remarks
2	500635	KIDS ANGL ADJ F/PLT 10" R	Right
2	500636	KIDS ANGL ADJ F/PLT 10" L	Left
2	500637	KIDS ANGL ADJ F/PLT 11" R	Right
2	500638	KIDS ANGL ADJ F/PLT 11" L	Left
2	500639	KIDS ANGL ADJ F/PLT 12" R	Right
2	500640	KIDS ANGL ADJ F/PLT 12" L	Left
2	500641	KIDS ANGL ADJ F/PLT 13" R	Right
2	500642	KIDS ANGL ADJ F/PLT 13" L	Left
2	500643	KIDS ANGL ADJ F/PLT 14" R	Right
2	500644	KIDS ANGL ADJ F/PLT 14" L	Left
2	500645	KIDS ANGL ADJ F/PLT 15" R	Right
2	500646	KIDS ANGL ADJ F/PLT 15" L	Left
2	500647	KIDS ANGL ADJ F/PLT 16" R	Right
2	500648	KIDS ANGL ADJ F/PLT 16" L	Left
3	550350	3/4" CLAMP ADJ FOOTPLATE	
4	106935	NUT NYLOCK THIN 1/4 -28 ROHS	
5	106962	1/4-28 x 1 3/4 BH C/S BLK ZN (D2 EXTENSION TUBES)	
5	226167	1/4-28 x 1.625 BH C/S BLK (ROUND EXTENSION TUBES)	
6	106945	1/4 SAE WASHER	
7	541002	FTRST MOUNTING BRKT-3/8 RAD R	
7	541003	FTRST MOUNTING BRKT-3/8 RAD L	
8	561055	3/4" SADDLE 1" OD	
9	106944	WASHER FLAT THIN AN 1/4 ROHS	
10	106941	NUT AUTOMATION 1/4 -28 ROHS	
11	483720	HANGER EXTENSION SADDLE LONG	Use with Double D Ext Tube
1-4,6,7,9,10	828850	KIDS ANG ADJ F/PLT EXT-MNT 10"R	Right
1-4,6,7,9,10	828851	KIDS ANG ADJ F/PLT EXT-MNT 10"L	Left
1-4,6,7,9,10	828852	KIDS ANG ADJ F/PLT EXT-MNT 11"R	Right
1-4,6,7,9,10	828853	KIDS ANG ADJ F/PLT EXT-MNT 11"L	Left
1-4,6,7,9,10	828854	KIDS ANG ADJ F/PLT EXT-MNT 12"R	Right
1-4,6,7,9,10	828855	KIDS ANG ADJ F/PLT EXT-MNT 12"L	Left
1-4,6,7,9,10	828856	KIDS ANG ADJ F/PLT EXT-MNT 13"R	Right
1-4,6,7,9,10	828857	KIDS ANG ADJ F/PLT EXT-MNT 13"L	Left
1-4,6,7,9,10	828858	KIDS ANG ADJ F/PLT EXT-MNT 14"R	Right
1-4,6,7,9,10	828859	KIDS ANG ADJ F/PLT EXT-MNT 14"L	Left
1-4,6,7,9,10	828860	KIDS ANG ADJ F/PLT EXT-MNT 15"R	Right
1-4,6,7,9,10	828861	KIDS ANG ADJ F/PLT EXT-MNT 15"L	Left
1-4,6,7,9,10	828862	KIDS ANG ADJ F/PLT EXT-MNT 16"R	Right
1-4,6,7,9,10	828863	KIDS ANG ADJ F/PLT EXT-MNT 16"L	Left
1-4,6,7,9,10	921280	KIDS ANG ADJ F/PLT EXT-MNT 10"	Pair
1-4,6,7,9,10	921281	KIDS ANG ADJ F/PLT EXT-MNT 11"	Pair
1-4,6,7,9,10	921282	KIDS ANG ADJ F/PLT EXT-MNT 12"	Pair
1-4,6,7,9,10	921283	KIDS ANG ADJ F/PLT EXT-MNT 13"	Pair
1-4,6,7,9,10	921284	KIDS ANG ADJ F/PLT EXT-MNT 14"	Pair
1-4,6,7,9,10	921285	KIDS ANG ADJ F/PLT EXT-MNT 15"	Pair
1-4,6,7,9,10	921286	KIDS ANG ADJ F/PLT EXT-MNT 16"	Pair
		Ship assembled part #	Use with multiple assemblies
	ASSY-HNG-FP	HANGER/FOOTPLATE ASSY REQUIRED	add with Hanger & Footplate kit

# ELR/ALR ALUMINUM FOOTPLATE

(02/11/2020)

To request assembly of parts being ordered as a kit, please add "ASSY-HNG-FP" after ELR or ALR & Calf Pad parts are selected

**ADD INSET FORMULA**  
 0" Inset (Seat Width) = Footrest Width  
 1" Inset (Seat Width) -2" = Footrest Width  
 2" Inset (Seat Width) -4" = Footrest Width  
 "V" Hanger (Seat Width) -4" = Footrest Width  
 Offset Hanger Receiver (Seat Width) +2" = Footrest Width  
 Flared Frame (Seat Width) = 2" = Footrest Width



**15 ALU FOOTPLATE HARDWARE KIT**

ITEM #	ILLUSTRATION	DESCRIPTION	QTY
1		1/4-28 X 5/8 BH C/S	2
3		BHCS, M6X1X50, PART, NP	1
8		NUT NYLOCK THIN 1/4-28	2
9		3/4" SADDLE THIN	2
10		NUT AUTOMATION M6 X 1-0 ROHS	1
11		WASHER FLAT M6	2

**MEASURING GUIDE**

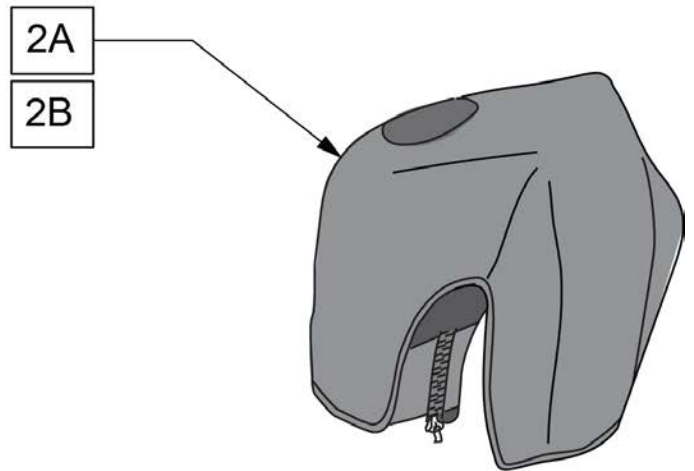
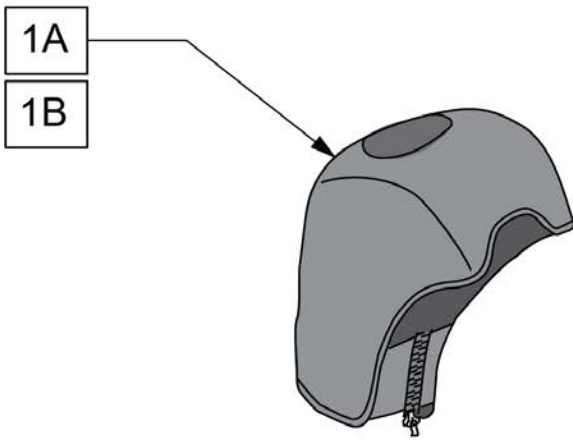
	PART NUMBER	"C"
SHORT	107126	8 1/4"
MED	107127	10 1/4"
LONG	107128	12 1/4"

P/N	DESCRIPTION	"A"	"B"
882337	FOOTPLATE ELR 14-15"	6"	6"
882338	FOOTPLATE ELR 16-17"	7"	6"
882339	FOOTPLATE ELR 18-20"	8"	6"

Pos.	Item Number	Description	Remarks
1	226090	1/4-28 x 5/8 BH C/S	
2	118093	BRACKET FOOTPLATE ALUM	
3	102262-008	BHCS M6 X 1 X 50 INORGANIC	
4	281043	#4 x 5/8 PAN PHIL S/TAP	
5	560101	END CAPS FOOTREST	
7	107126	SHORT BENT	
7	107127	MED BENT	
7	107128	LONG BENT	
7	128078	TUBE FOOTREST EXT SHT HEMI	Use for Hemi Extension option
8	106935	1/4-28 NYLOCK NUT THIN	
9	561003	3/4" SADDLE THIN	
10	132626	NUT AUTOMATION M6 X 1.0	
11	107383	WASHER FLAT M6 ROHS	
4,5,6A	882337	ELR FOOTPLATE ASSEMBLY 14 -15"	
4,5,6B	882338	ELR FOOTPLATE ASSEMBLY 16 -17"	
4,5,6C	882339	ELR FOOTPLATE ASSEMBLY 18 -20"	
12-14	119495	EXTENSION CLAMP KIT	
15	129775	ALU FOOTPLATE HDWARE KIT	Ext tube not included; bracket (118093) not included

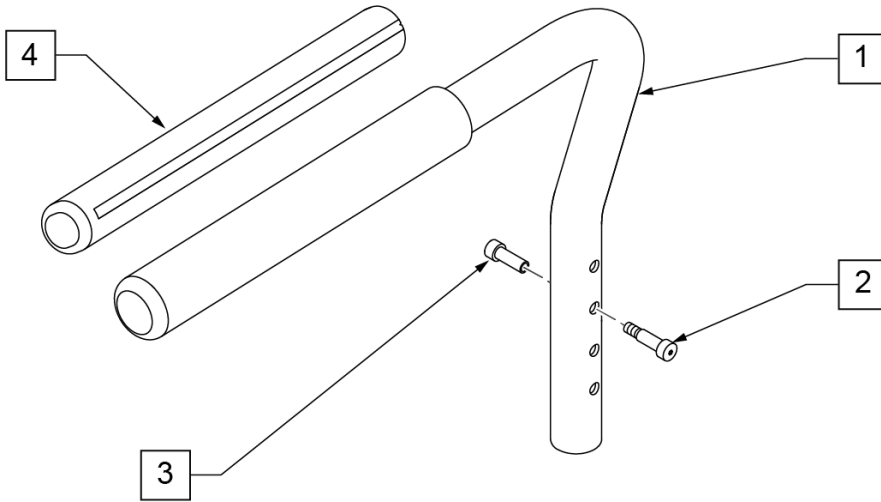
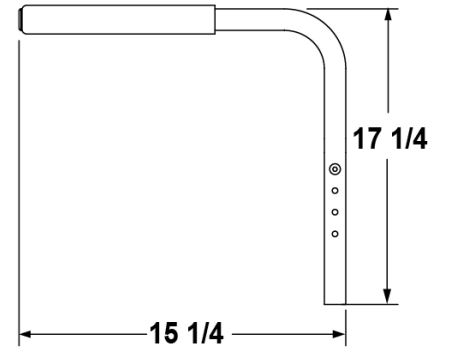
<b>Pos.</b>	<b>Item Number</b>	<b>Description</b>	<b>Remarks</b>
		Ship assembled part #	Use with multiple assemblies
	ASSY-HNG-FP	HANGER/FOOTPLATE ASSY REQUIRED	add with Hanger & Footplate kit

Note: For installation instructions please see the informations section to the right of this parts page.



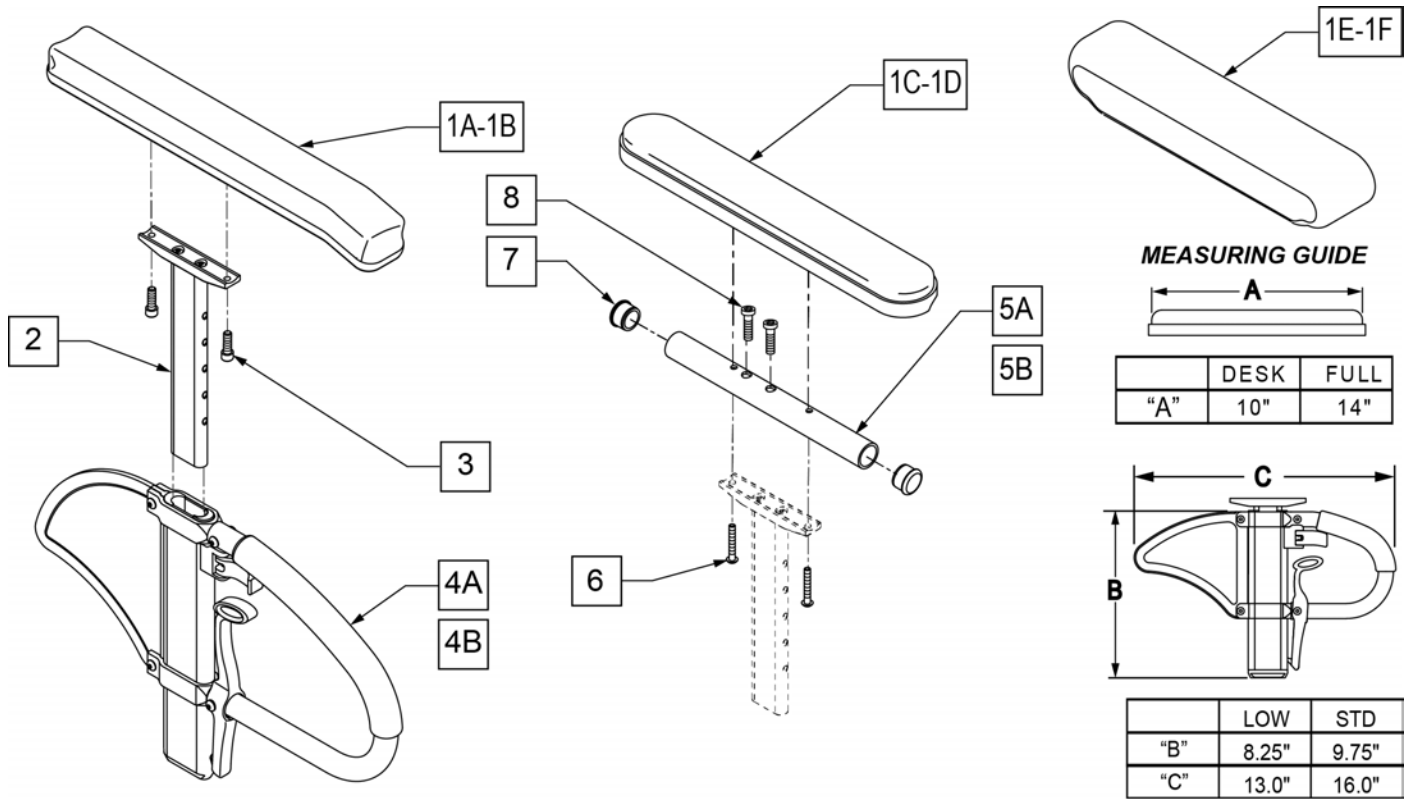
Pos.	Item Number	Description	Remarks
1A	163881	ELR NEOPRENE COVER PR	Pair
1B	163882	ELR GEL COVER PR	Pair
2A	163883	ALR NEOPRENE COVER PR	Pair
2B	163884	ALR GEL COVER PR	Pair

*Measuring Guide*



5 SEXBOLT SA ARMREST KIT			
POS #	ILLUSTRATION	DESCRIPTION	QTY
2		SEX BOLT MALE, SA	2
3		SEX BOLT FEMALE, SAARMREST	2

Pos.	Item Number	Description	Remarks
1-3	120736	PADDED ARMREST S/A R W/ HDWR	Right
1-3	120737	PADDED ARMREST S/A L W/ HDWR	Left
4	108315	GEL PAD S/A ARM	PAIR
5	108118	SEXBOLT SA ARMREST KIT	PAIR



Pos.	Item Number	Description	Remarks
1A	104568-001	SPHA PAD DESK	CONTOUR DESK
1B	104568-002	SPHA PAD FULL	CONTOUR FULL
1C	561024	ARMREST PAD 10" DESK	CLASSIC DESK
1D	561031	ARMREST PAD 14" FULL	CLASSIC FULL
1E	561280	ARMREST PAD 10" LEFT W/F	Left-Waterfall Desk
1E	561281	ARMREST PAD 10" RIGHT W/F	Rightt-Waterfall Desk
1F	561284	ARMREST PAD 14" LEFT W/F	Leftt-Waterfall Full
1F	561285	ARMREST PAD 14" RIGHT W/F	Rightt-Waterfall Full
2	116312	SNGL POST UPPR ASSM LOW	LOW/SMALL
2	116313	SNGL POST UPPR ASSM STD	STANDARD
3	106956	SHCS 10-32 X 3/4 ROHS	
2,4A	104509-001	SPHA ARMREST ASSY STD	STANDARD
2,4B	104509-002	SPHA ARMREST ASSY LOW	LOW/SMALL
5A	521812	HT ADJ PD TUBE 10IN DESK POWE	Desk
5B	521813	HT ADJ PD TUBE 14IN FULL POWE	Full
6	107024	BHCS 10-32 X 1 1/2 ROHS	
7	560735	7/8" ROUND TUBE PLUG	
8	108534	SHCS 10-32 X 1-1/4 PL	Used with Full Length & Waterfall
1C,2,3,4A,5A,6,7	108599	SPHA STD CLASIC DESK PAD R	Right
1C,2,3,4A,5A,6,7	108603	SPHA STD CLASIC DESK PAD L	Left
1D,2,3,4A,5B,6-8	108601	SPHA STD CLASIC FULL PAD R	Right
1D,2,3,4A,5B,6-8	108605	SPHA STD CLASIC FULL PAD L	Left
1A,2,3,4A	108595	SPHA STD CNTUR DESK PAD	
1B,2,3,4A	108597	SPHA STD CNTUR FULL PAD	
1C,2,3,4B,5A,6,7	108600	SPHA LOW CLASIC DESK PAD R	Right
1C,2,3,4B,5A,6,7	108604	SPHA LOW CLASIC DESK PAD L	Left
1D,2,3,4B,5B,6-8	108602	SPHA LOW CLASIC FULL PAD R	Right

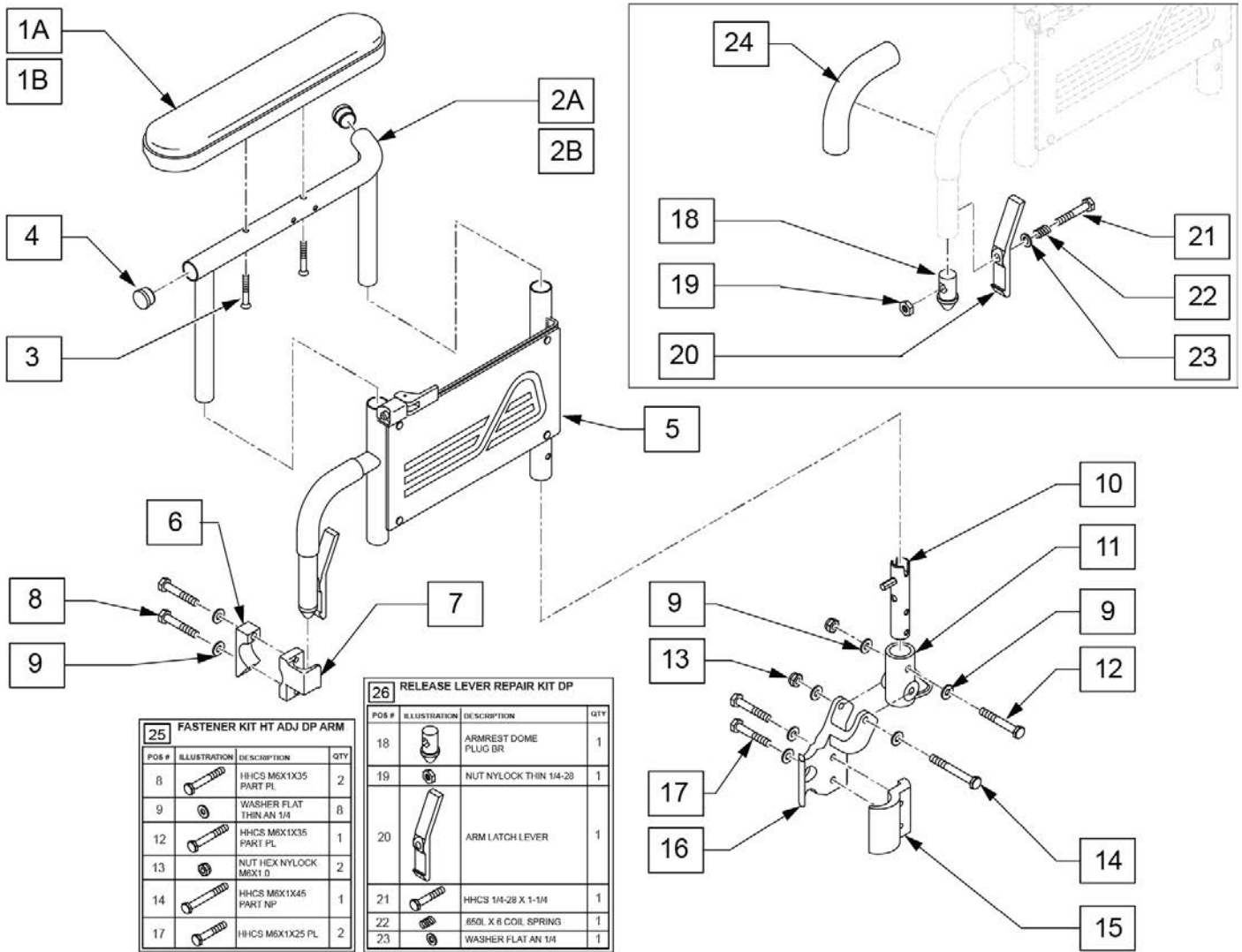
Pos.	Item Number	Description	Remarks
1D,2,3,4B,5B,6-8	108606	SPHA LOW CLASIC FULL PAD L	Left
1A,2,3,4B	108596	SPHA LOW CNTUR DESK PAD	
1B,2,3,4B	108598	SPHA LOW CNTUR FULL PAD	
1C,2,5A,6,7	159600	SPHA STD CLAS DESK UPPR R	Right
1C,2,5A,6,7	159601	SPHA STD CLAS DESK UPPR L	Left
1D,2,5B,6-8	159602	SPHA STD CLAS FULL UPPR R	Right
1D,2,5B,6-8	159603	SPHA STD CLAS FULL UPPR L	Left
1C,2,5A,6,7	159604	SPHA LOW CLAS DESK UPPR R	Right
1C,2,5A,6,7	159605	SPHA LOW CLAS DESK UPPR L	Left
1D,2,5B,6-8	159606	SPHA LOW CLAS FULL UPPR R	Right
1D,2,5B,6-8	159607	SPHA LOW CLAS FULL UPPR L	Left
1E,2,4B,5A,6,7	164089	SPHA LOW W/F DESK PAD R	Right
1E,2,4B,5A,6,8	164090	SPHA LOW W/F DESK PAD L	Left
1F,2,4B,5B,6,8	164091	SPHA LOW W/F FULL PAD R	Right
1F,2,4B,5B,6,8	164092	SPHA LOW W/F FULL PAD L	Left
1E,2,4A,5A,6,7	164093	SPHA STD W/F DESK PAD R	Right
1E,2,4A,5A,6,8	164094	SPHA STD W/F DESK PAD L	Left
1F,2,4A,5B,6,8	164095	SPHA STD W/F FULL PAD R	Right
1F,2,4A,5B,6,8	164096	SPHA STD W/F FULL PAD L	Left

Note: Fits most Manual Products, not all Armrest Pads are offered on all chairs, consult product order form for compatibility.

Note: available on Quickie Iris after S/N IRS-007726 & IRSE-008701 and prior to IRS-063000 & IRSE-083000, and Zippie Iris prior to ZRS-051000 & ZRSE-058000.

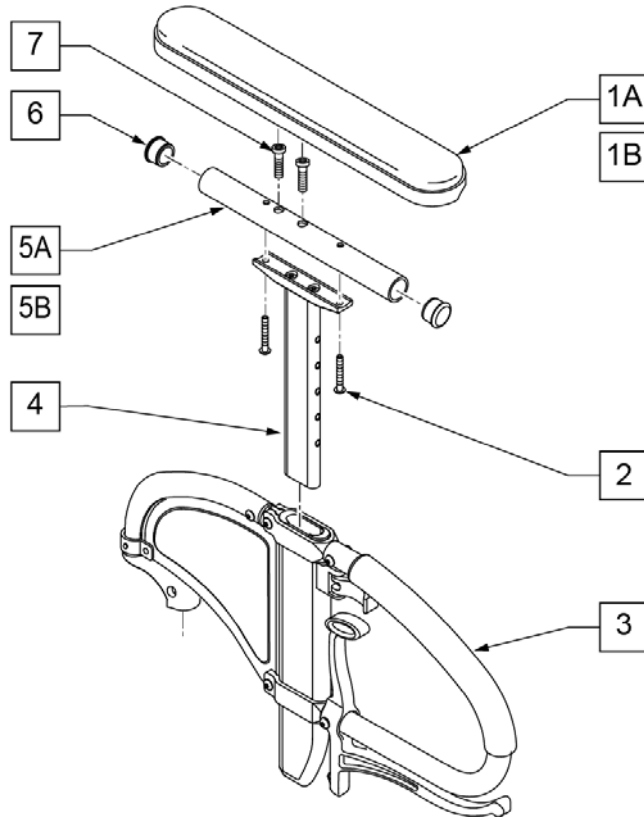
Note: if switching from Desk to Full Length Armrest Pad OR switching from Full Length to Desk Armrest Pad, the following items are required: 1C/1D, 5A/5B, and 6-8.



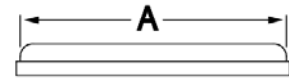


Pos.	Item Number	Description	Remarks
1A	561024	ARMREST PAD 10" DESK	
1B	561031	ARMREST PAD 14" FULL	
3	226030-QU	10 -32 x 1 1/4 BH C/S BLK	
4	560735	7/8" ROUND TUBE PLUG	
1A,2A,3,4	880390	F-BCK HT ADJ UPR ARM DSK PWR R	RIGHT
1A,2A,3,4	880391	F-BCK HT ADJ UP ARMSK PWR L	LEFT
1B,2B,3,4	880392	F-BCK HT ADJ UPR ARM PWR FL R	RIGHT
1B,2B,3,4	880393	F-BCK HT ADJ UPR ARM PWR FL L	LEFT
5	880284	FLIP-BACK HT ADJ LOWER ARM ASSM M L	RIGHT
5	880285	FLIP-BACK HT ADJ LOWER ARM ASSM M L	LEFT
6	550256	CLAMP ADJ FL STD	
7	241128	ARMREST FRONT RECEIVER RH	RIGHT
7	241127	ARMREST FRONT RECEIVER LH	LEFT
10	880261	REC POST W/BUTTON	
11	241243	ARM RECEIVER PLASTIC	
15	118578	PADDED S/A CLAMP	
16	118641	FLIP BACK REC CLAMP RH	RIGHT
16	118767	FLIP BACK REC CLAMP LH	LEFT

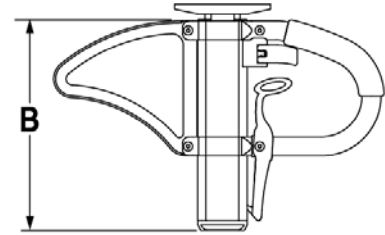
<b>Pos.</b>	<b>Item Number</b>	<b>Description</b>	<b>Remarks</b>
24	560610	5 x .705 x .125 FOAM TUBE	
25	161251	FASTENER KIT HT ADJ DP ARM	one side
26	161252	RELEASE LEVER REPAIR KIT DP	
6-9	161247	FRONT REC DP QXI RH	RIGHT
6-9	161248	FRONT REC DP QXI LH	LEFT
9-17	161249	REAR REC DP QXI RH ASSM	RIGHT
9-17	161250	REAR REC DP QXI LH ASSM	LEFT
1A,2A,3-17	161253	DP ARMREST 10 IN RH QXI ASSM	RIGHT
1A,2A,3-17	161254	DP ARMREST 10 IN LH QXI ASSM	LEFT
1A,2A,3-17	161255	DP ARMREST 10 IN PR QXI ASSM	PAIR
1B,2B,3-17	161256	DP ARMREST 14 IN RH QXI ASSM	RIGHT
1B,2B,3-17	161257	DP ARMREST 14 IN LH QXI ASSM	LEFT
1B,2B,3-17	161258	DP ARMREST 14 IN PR QXI ASSM	PAIR



**MEASURING GUIDE**

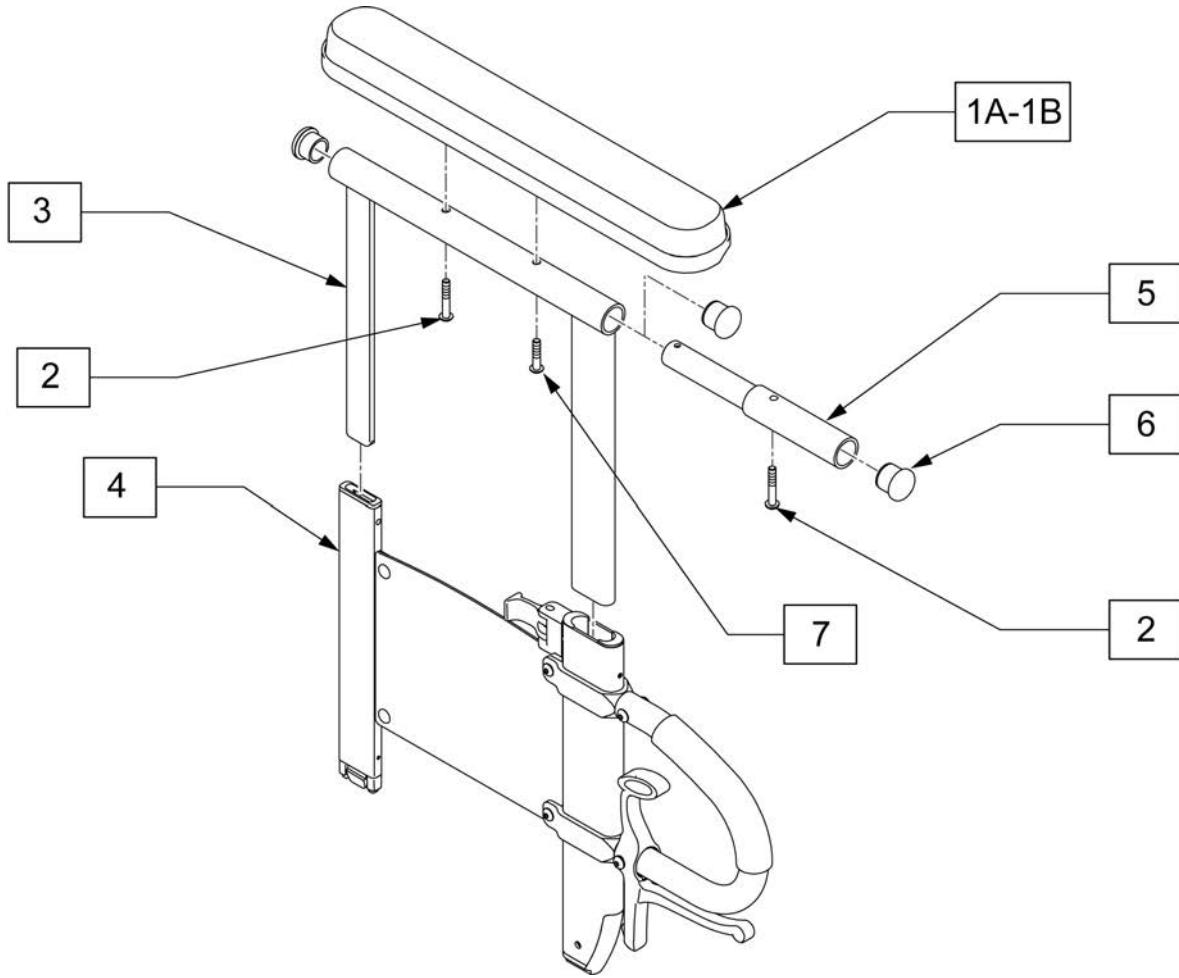


	DESK	FULL
A	10"	14"

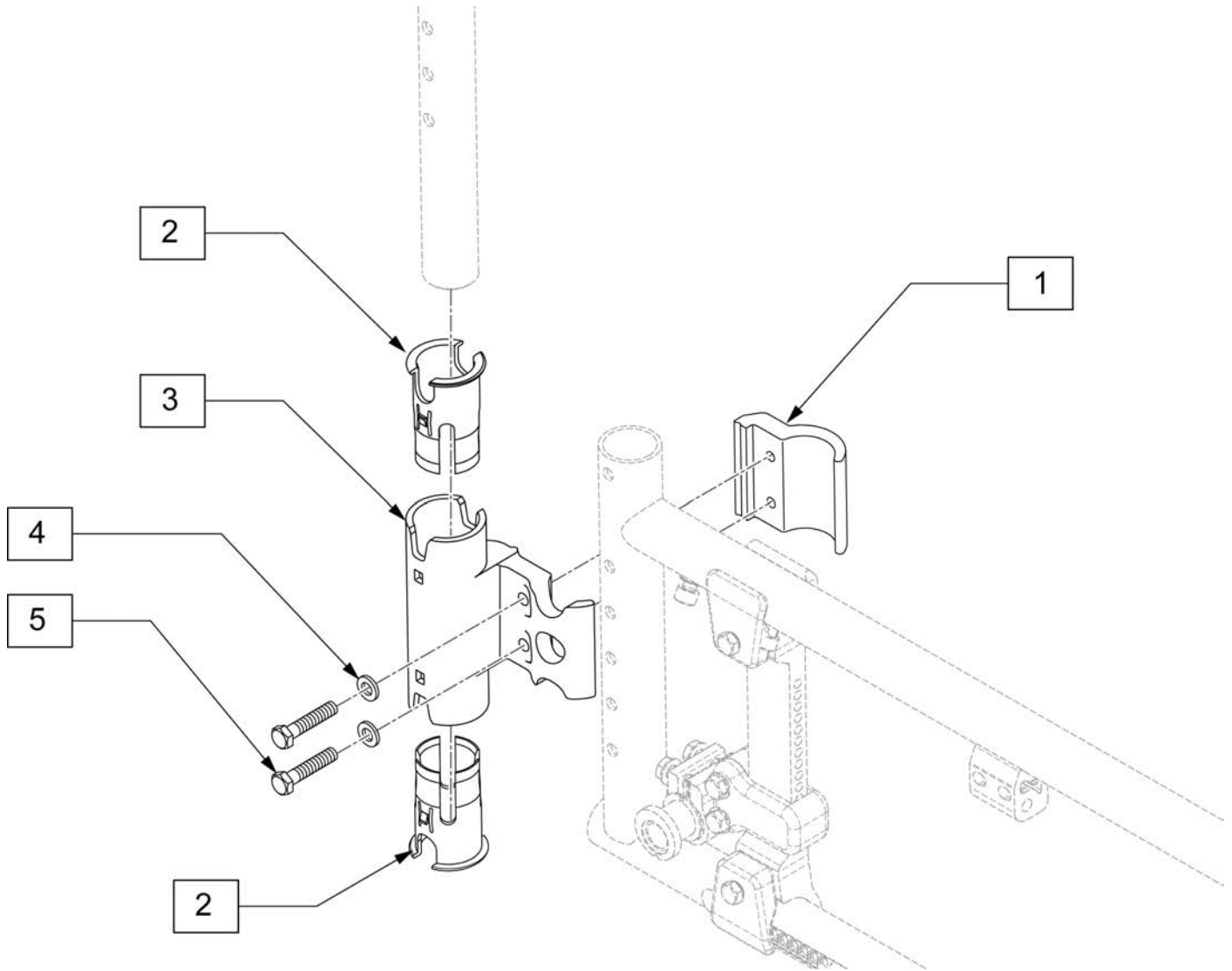


	STD
B	9.75"

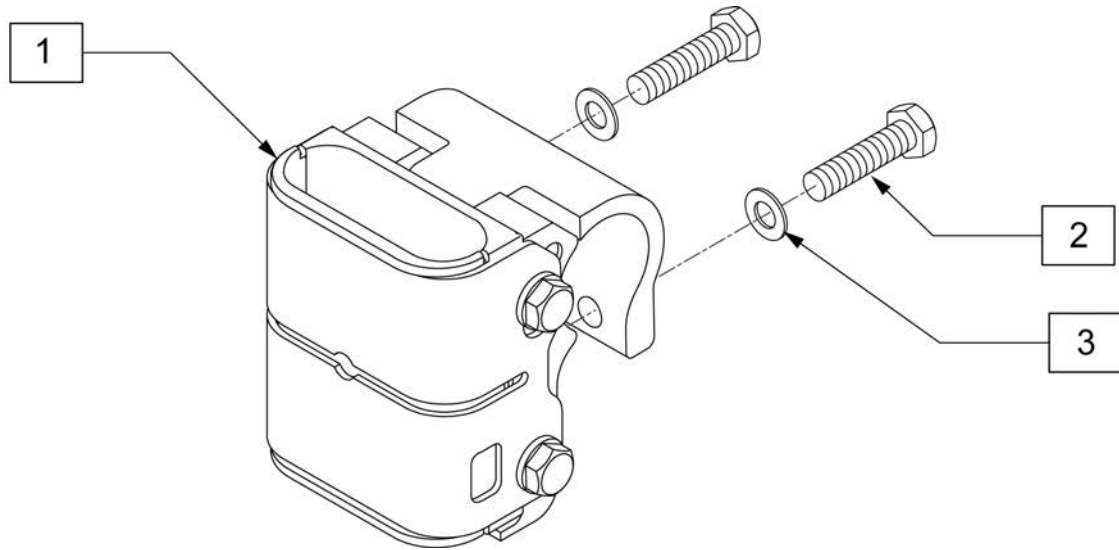
Pos.	Item Number	Description	Remarks
1A	561024	ARMREST PAD 10" DESK	CLASSIC DESK
1B	561031	ARMREST PAD 14" FULL	CLASSIC FULL
2	107024	10-32 X 1 1/2 BH C/S BLK	
3,4	109405	SPHA ARMREST ASSM RIGHT	RIGHT
3,4	109400	SPHA ARMREST ASSM LEFT	LEFT
4	116313	SPHA ARM PAD MOUNT	
5A	521812	HT ADJ PD TUBE 10IN DESK POWE	
5B	521813	HT ADJ PD TUBE 14IN FULL POWE	
6	560735	7/8" ROUND TUBE PLUG	
7	226031	10-32 x 1 1/4 SOC C/S BLK	FULL
1A,2,4,5A,6	115221	SPHA UPPER CLASSIC DESK PAD	Classic-Desk
1B,2,4,5B,6,7	115222	SPHA UPPER CLASSIC FULL PAD	Classic-Full
1A-5A,6	117834	SPHA FLP BCK LITE ARM DESK R	RIGHT
1A-5A,6	117835	SPHA FLP BCK LITE ARM DESK L	LEFT
1B-5B,6,7	117836	SPHA FLP BCK LITE ARM FULL R	RIGHT
1B-5B,6,7	117837	SPHA FLP BCK LITE ARM FULL L	LEFT



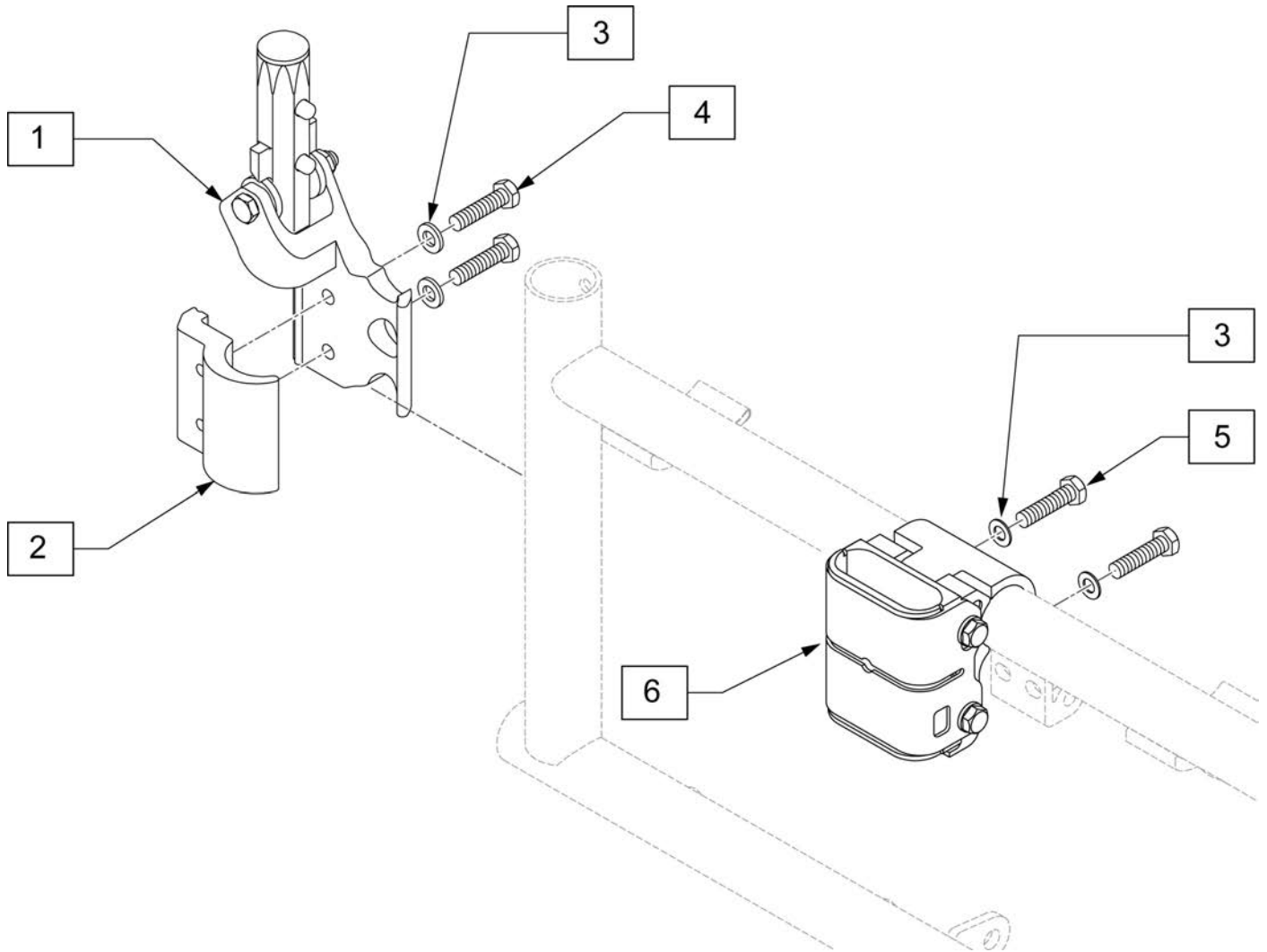
Pos.	Item Number	Description	Remarks
1A	561024	ARMREST PAD 10" DESK	
1B	561031	ARMREST PAD 14" FULL	
2	107023	BHCS 10-32 X 1-3/8 ROHS	
5	117958	EXTENSION ARMPAD FULL DPA	
6	561007	7/8" INSERT PLUG .083	
7	118182	BHCS 10-32 X 7/8 ROHS	
1A-3	119558	UPPER DP DESK L	Left
1A-3	119559	UPPER DP DESK R	Right
1B-3,5-7	119560	UPPER DP FULL L	Left
1B-3,5-7	119561	UPPER DP FULL R	Right
1A-4,6	119490	DUAL POST ARM TRANSFER DESK L	Left
1A-4,6	119491	DUAL POST ARM TRANSFER DESK R	Right
1B-7	119492	DUAL POST ARM TRANSFER FULL L	Left
1B-7	119493	DUAL POST ARM TRANSFER FULL R	Right



Pos.	Item Number	Description
2,3	118583	PADDED S/A CLMP ASSY
4	106944	WASHER FLAT THIN AN 1/4 ROHS
5	118194	HHCS M6X1X25 PL
1-5	120738	REAR REC ASSM EA

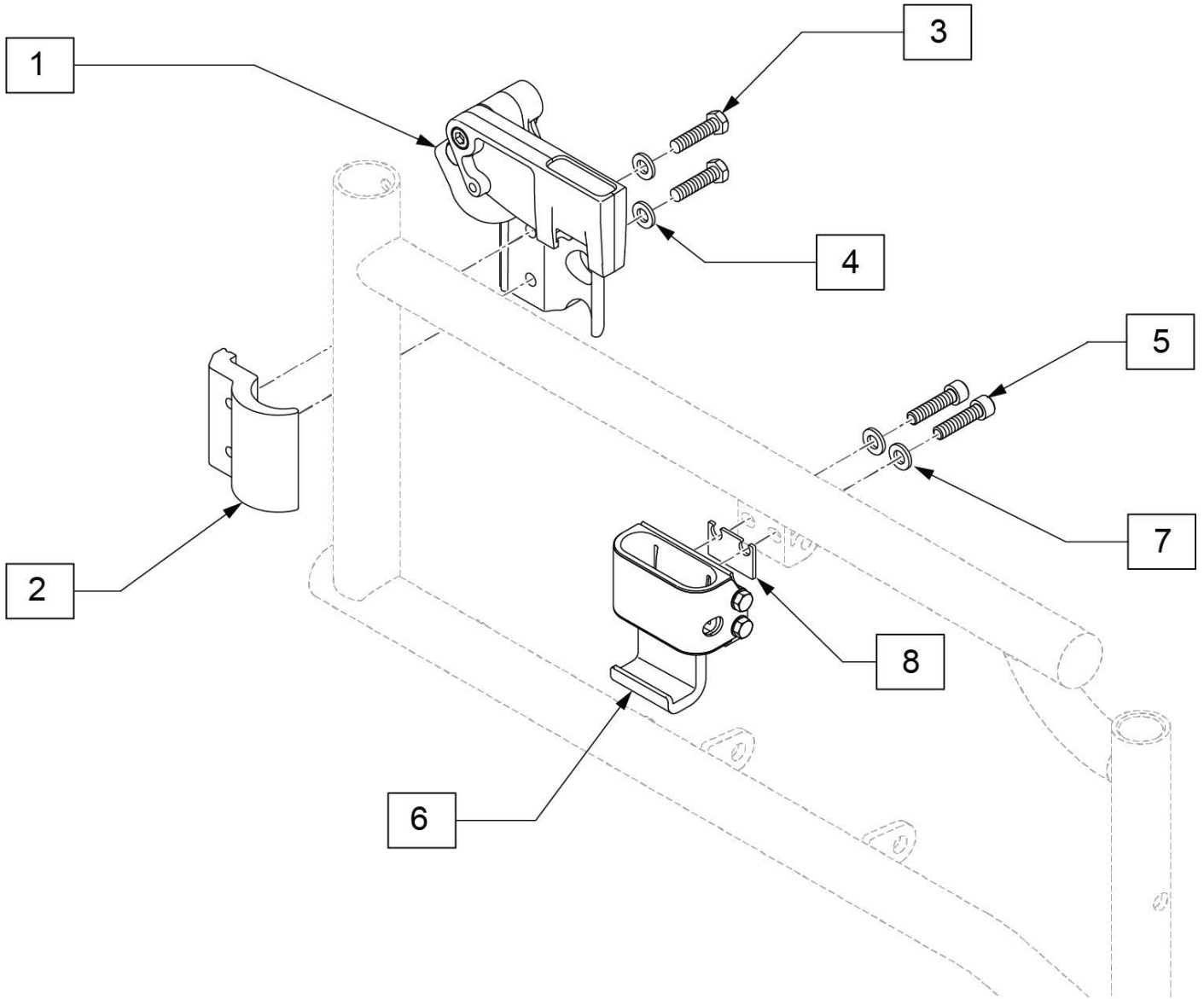


Pos.	Item Number	Description
2	118197	HHCS M6X1X35 PART PL
3	106944	WASHER FLAT THIN AN 1/4 ROHS
1-3	120739	SPHA REC ASSM W/ HDWR



Pos.	Item Number	Description	Remarks
1	118642	FLIP BACK REC CLAMP ASSY RH	Right
1	118768	FLIP BACK REC CLAMP ASSY LH	Left
2	118578	PADDED S/A CLAMP	
3	106944	WASHER FLAT THIN AN 1/4 ROHS	
4	118194	HHCS M6 x 1 x 25 PL	
5	118197	HHCS M6X1X35 PART PL	
6	119281	SPHA FB RECEIVER ASSY	
1-4	120740	FLIP BCK REAR REC ASSM R	Right
1-4	120741	FLIP BCK REAR REC ASSM L	Left
3,5,6	120742	FLIP BCK FRNT REC ASSM	

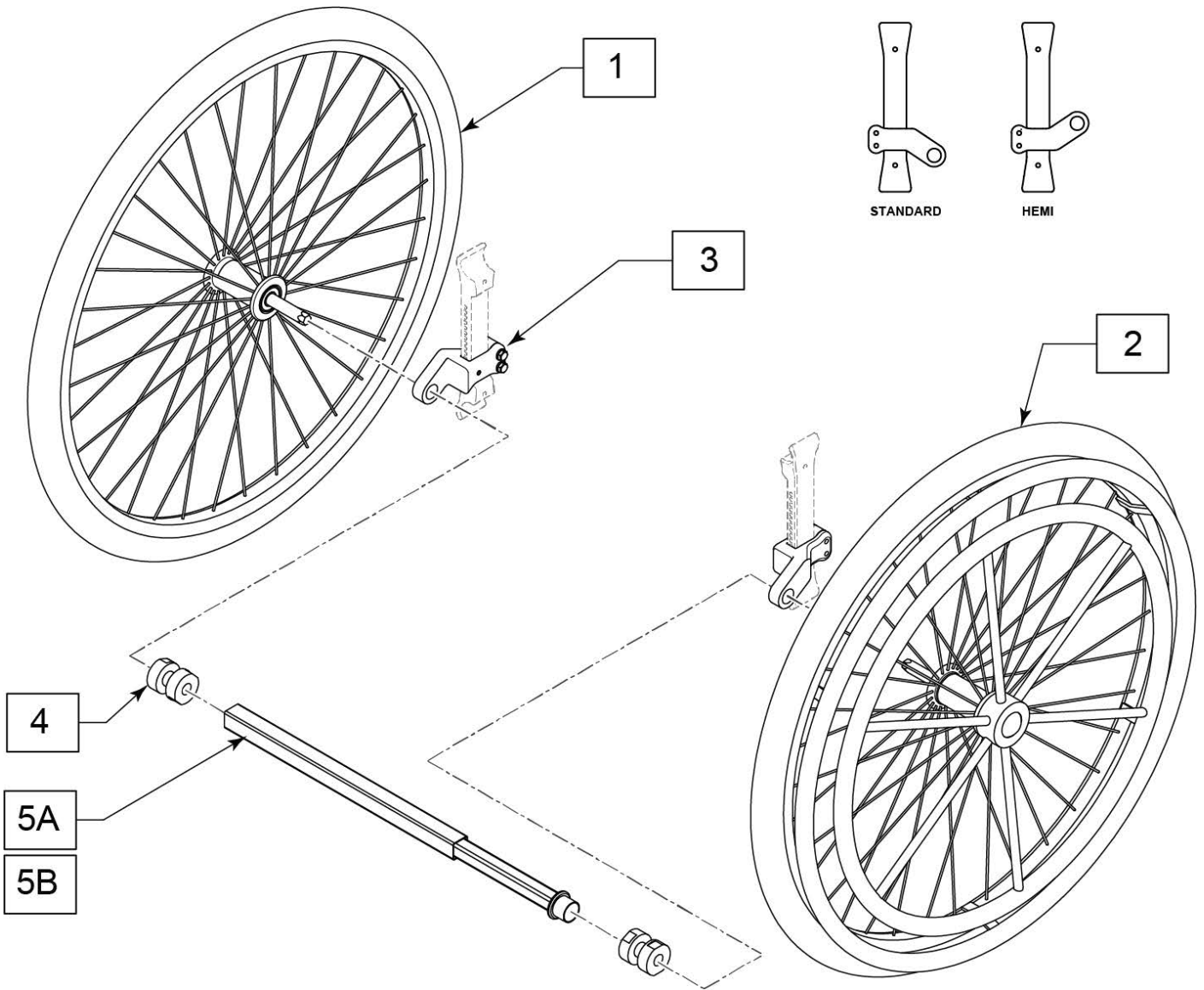
Note: Used with Dual Post Armrest (Transfer).



Pos.	Item Number	Description	Remarks
2	118578	PADDED S/A CLAMP	
3	102268-001	HHCS M6 X 1 X 25	
4	106944	WASHER FLAT THIN AN 1/4 ROHS	
5	103174	SHCS M6 X 1 X 30 W/PL INORG	
7	106943	WASHER FLAT AN 1/4 ROHS	
1-4	124087	FLIP BCK REAR REC ASSM R	Right
1-4	124088	FLIP BCK REAR REC ASSM L	Left
5-8	124089	FLIP BCK FRNT REC ASSM R	Right
5-8	124090	FLIP BCK FRNT REC ASSM L	Left

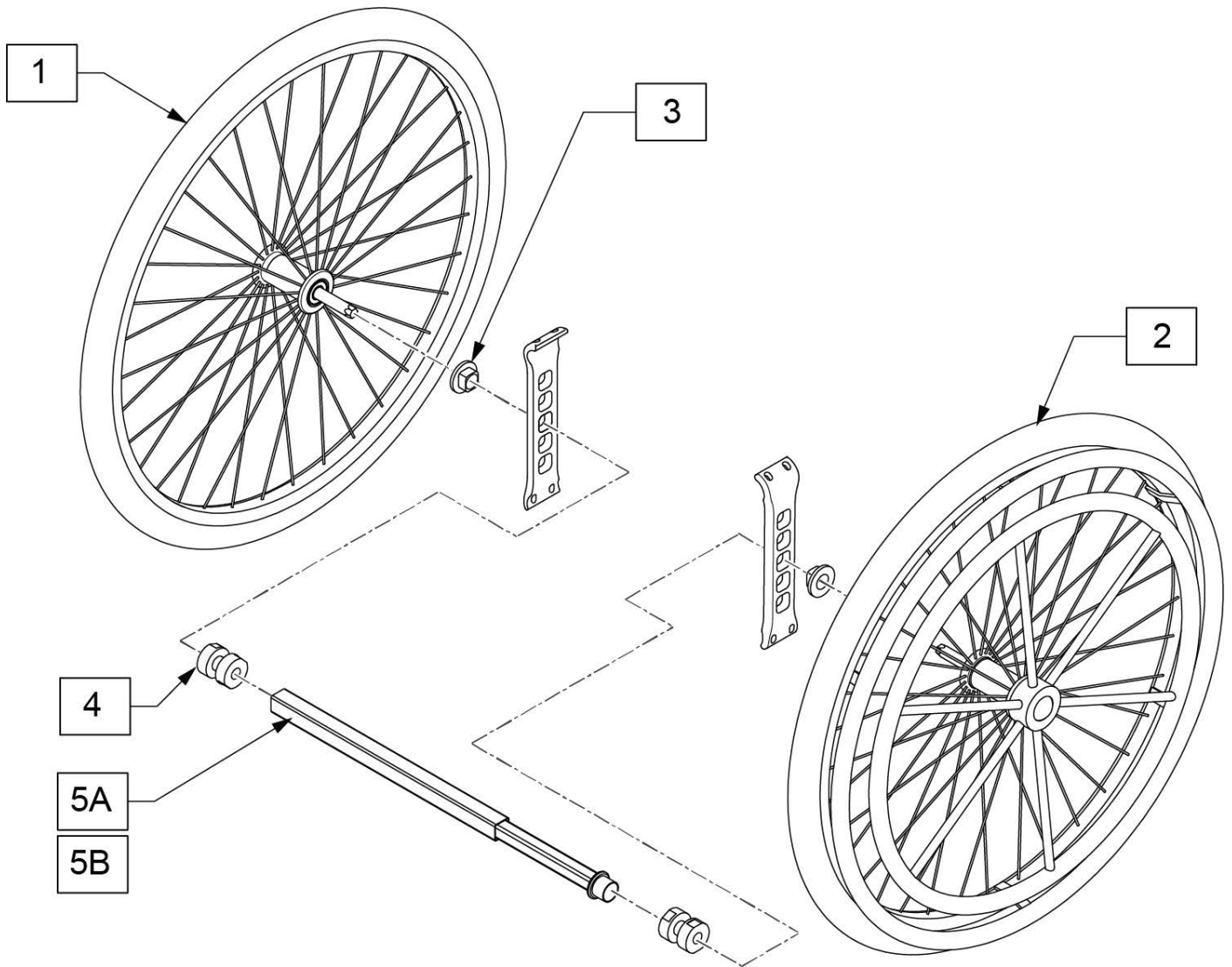


Note: the wheels are removable and each wheel includes an exclusive fixed axle that will click into position 4.



Pos.	Item Number	Description	Remarks
1	243763	1AD PASSIVE WHEEL ASSY	Handrim NOT included; includes Axle
2	243762	1AD ACTIVE WHEEL ASSY	Handrim & Axle included
3	161320	1AD AXLE CLAMP SLEEVE STD RH	Use for Std right, Hemi Left
3	161321	1AD AXLE CLAMP SLEEVE STD LH	Use for Std Left, Hemi Right
4	243782	1AD BEARING CLAMP	
5A	245215	TELESCOPIC SHAFT 260-370MM	14" & 15" wide chairs
5B	245216	TELESCOPIC SHAFT 335-470MM	16"-19" wide chairs
1-4,5A	161322	1 ARM DRIVE RETRO QXi 14-15 W	14" & 15" wide chairs
1-4,5B	161323	1 ARM DRIVE RETRO QXi 16-17 W	16"-19" wide chairs

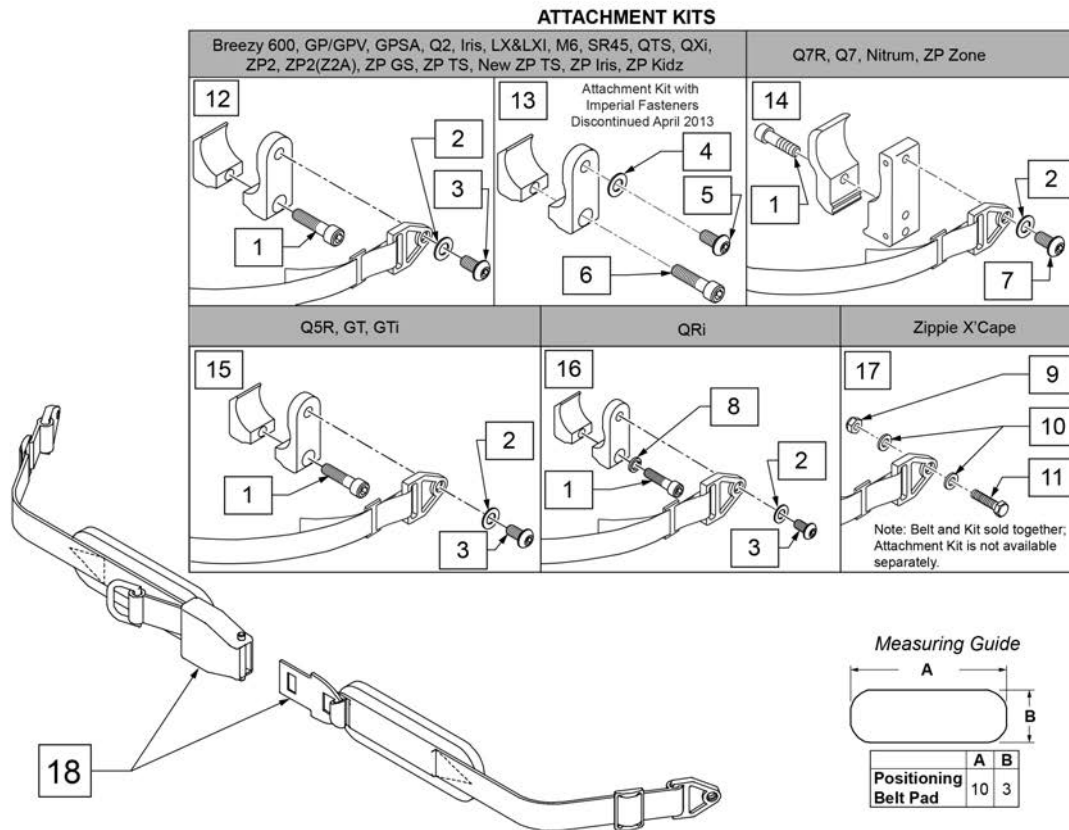
Note: the wheels are removable and each wheel includes an exclusive fixed axle that will click into position 4.



Pos.	Item Number	Description	Remarks
1	243763	1AD PASSIVE WHEEL ASSY	Handrim NOT included; includes Axle
2	243762	1AD ACTIVE WHEEL ASSY	Handrim & Axle included
3	241231	FIXED AXLE PLATE SLEEVE 1AD	
4	243782	1AD BEARING CLAMP	
5A	245215	TELESCOPIC SHAFT 260-370MM	14-15" wide
5B	245216	TELESCOPIC SHAFT 335-470MM	16-19" wide
1-4,5A	161325	1AD ASSEMBLY FXD 14-15 WIDE	14-15" wide
1-4,5B	161326	1AD ASSEMBLY FXD 16-17 WIDE	16-19" wide

**Note:** some items listed may not be available with every chair model or in conjunction with another chair feature.

**NOTE:** when mounting Positioning Belts to the 5R, GT or GTi, it is recommended to attach the belt by using the Backrest Support Bracket Hardware.

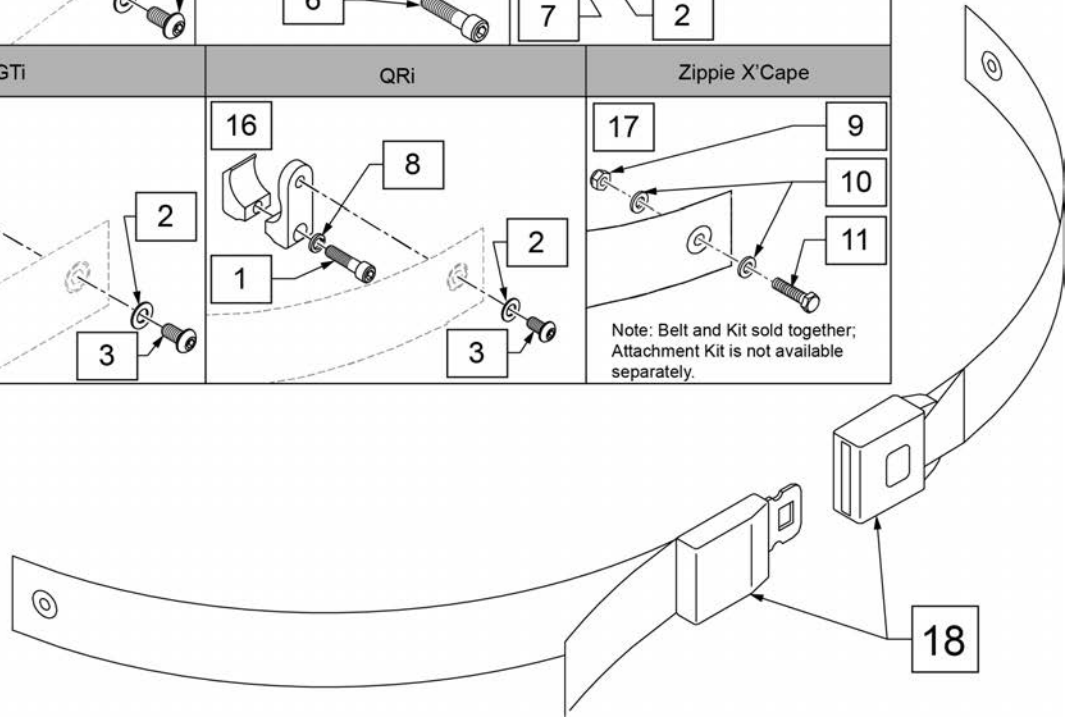
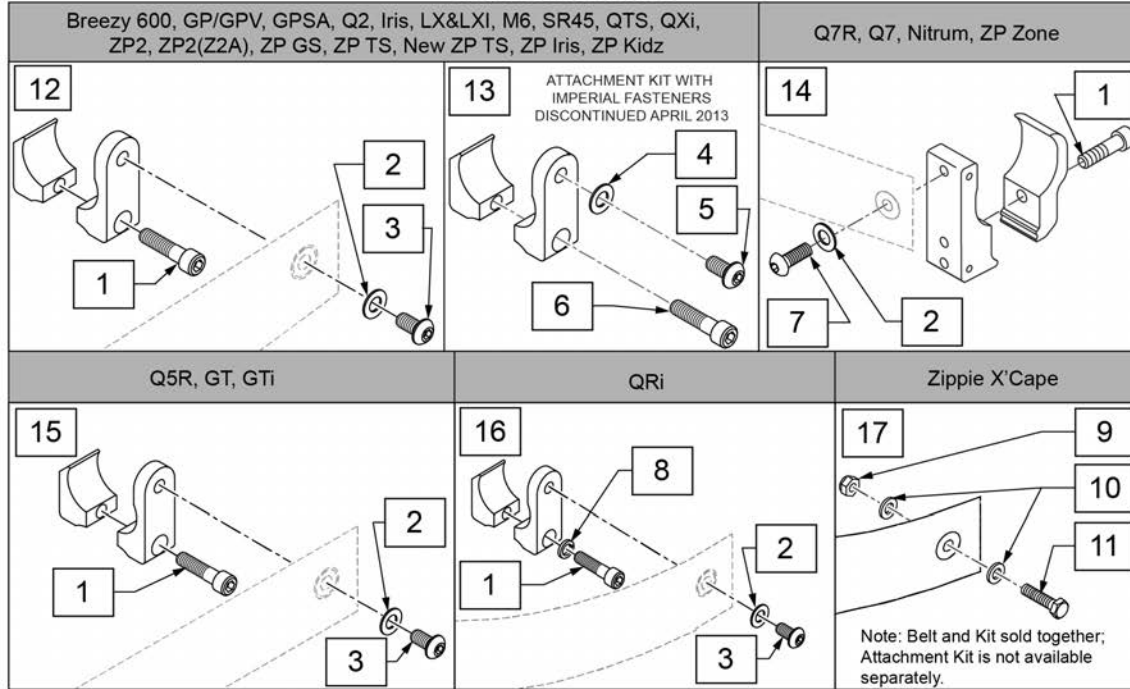


Pos.	Item Number	Description	Remarks
1	102263-003	SHCS M6 X 1 X 25 W/PL INORG	Metric
2	250104	WASHER FLAT M6	Metric
3	103185-005	BHCS M6 X 1 X 12 FULL PL	Metric
4	106943	WASHER FLAT AN 1/4 ROHS	Imperial (standard)
5	226154	1/4-20 X 1/2 BH C/S W/PATCH	Imperial (standard)
6	221116	1/4-20 X 1 SOC HD BLK	Imperial (standard)
7	230113	BHCS M6 X 1 X 12	
8	050129-001	LOCKWASHER HIGH COLLAR M6	
9	104381	NUT HEX NYLOCK M6 X 1.0	
10	107383	WASHER FLAT M6	
11	102268-002	HHCS M6 X 1 X 35 BLK	
12	120750	PSTN BELT CLAMP ASSM PR	Metric; Pair
13	900116	POSITION BELT ATTACHMENT KIT	Set of 2; Imperial (standard)
14	116268	OVAL CLAMP ASSM KIT	Kit contains 1 Clamp

<b>Pos.</b>	<b>Item Number</b>	<b>Description</b>	<b>Remarks</b>
15	159122	POSITIONING BELT CLAMPS PR	Pair
16	123534	POS BELT CLAMP KIT RPO	Set of 2
18	450418-QU	BELT 2" AIRCRAFT BUCKLE	Max length of belt 64"
18	450423-QU	BELT 2" AIRCRAFT BUCKLE W/PAD	Max length of belt 64"
18	450424	BELT 2" AIRCRAFT BKL LONG W/PAD	Max length of belt 72"
18	450425	BELT 2" AIRCRAFT BKL LONG	Max length of belt 72"
18	450419-QU	BELT 2" AIRCRAFT BKL W/QUAD LP	Max length of belt 64"
18	468419	BELT 2" AIRCRAFT BKL W/QD LPCZ	Max length of belt 64"
17,18	136464	AIRCRAFT HIP BELT 2" KIT	ZP Xcape: includes Belt & Attachment Kit
17,18	136465	AIRCRAFT HIP BELT 2" PAD KIT	ZP Xcape: includes Belt & Attachment Kit

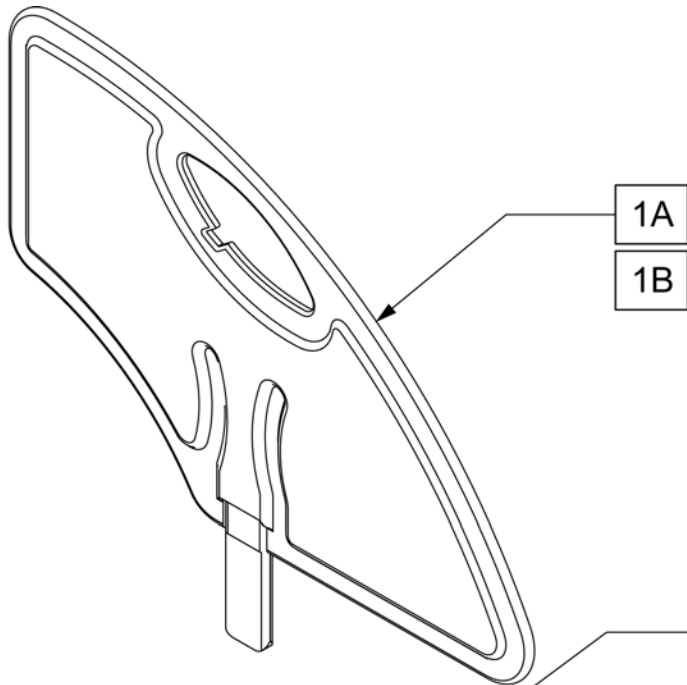
**NOTE:** when mounting Positioning Belts to the 5R, GT or GTI, it is recommended to attach the belt by using the Backrest Support Bracket Hardware.

**ATTACHMENT KITS**

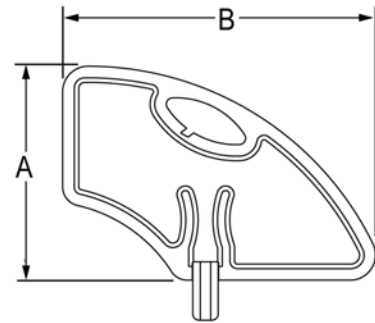


Pos.	Item Number	Description	Remarks
1	102263-003	SHCS M6 X 1 X 25 W/PL INORG	Metric
2	250104	WASHER FLAT M6	Metric
3	103185-005	BHCS M6 X 1 X 12 FULL PL	Metric
4	106943	WASHER FLAT AN 1/4 ROHS	Imperial (standard)
5	226154	1/4-20 X 1/2 BH C/S W/PATCH	Imperial (standard)
6	221116	1/4-20 X 1 SOC HD BLK	Imperial (standard)
7	230113	BHCS M6 X 1 X 12	
8	050129-001	LOCKWASHER HIGH COLLAR M6	
9	104381	NUT HEX NYLOCK M6 X 1.0	
10	107383	WASHER FLAT M6	
11	102268-002	HHCS M6 X 1 X 35 BLK	
12	120750	PSTN BELT CLAMP ASSM PR	Metric; Pair
13	900116	POSITION BELT ATTACHMENT KIT	Set of 2; Imperial (standard)
14	116268	OVAL CLAMP ASSM KIT	Kit contains 1 Clamp
15	159122	POSITIONING BELT CLAMPS PR	

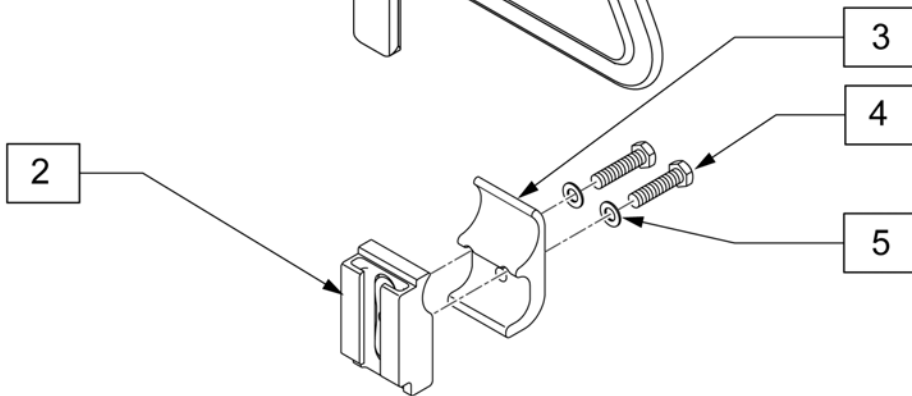
<b>Pos.</b>	<b>Item Number</b>	<b>Description</b>	<b>Remarks</b>
16	123534	POS BELT CLAMP KIT RPO	Set of 2
18	750276	1 1/2" POSITION BELT	AUTOSTYLE-64" Max length of belt.
16,18	124269	AUTO POS BELT W/CLAMPS RPO	QRI: includes Belt & Attachment Kit
17,18	136463	AUTO HIP BELT 1.5" KIT	ZP Xcape: includes Belt & Attachment Kit



MEASURING GUIDE

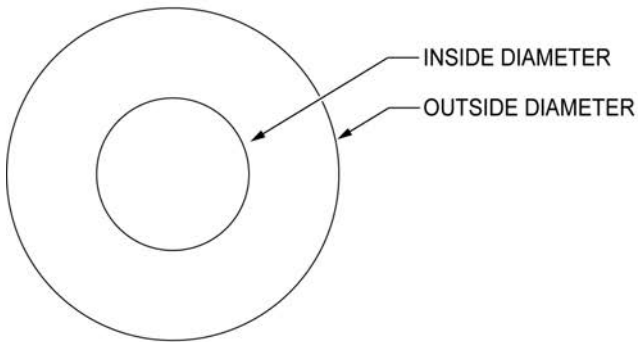
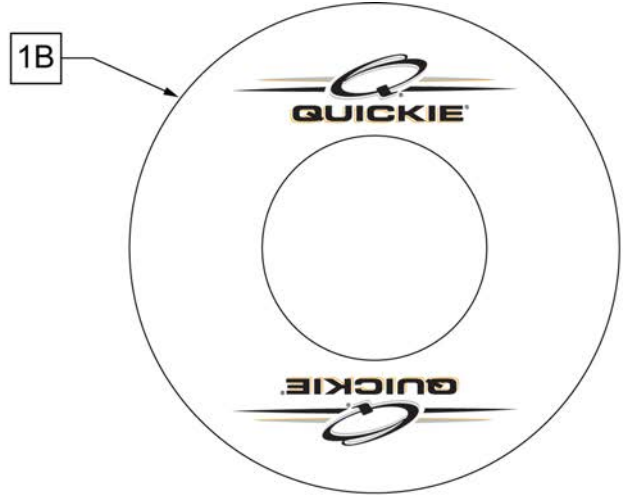
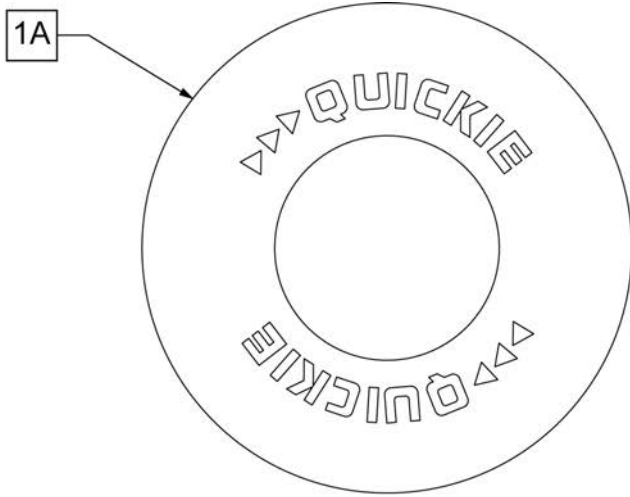


	LOW	STD
"A"	6.4"	8.4"
"B"	11.0"	12.3"



Pos.	Item Number	Description	Remarks
1A	104164-001	SIDE GUARD ASSY STD	Standard
1B	104164-002	SIDE GUARD ASSY SMALL	Low
4	118197	HHCS M6X1X35 PART PL	
5	106943	WASHER FLAT AN 1/4 ROHS	
2-5	120749	SIDE GUARD REC ASSM	

Note: some wheel sizes listed may not be available on all chairs.



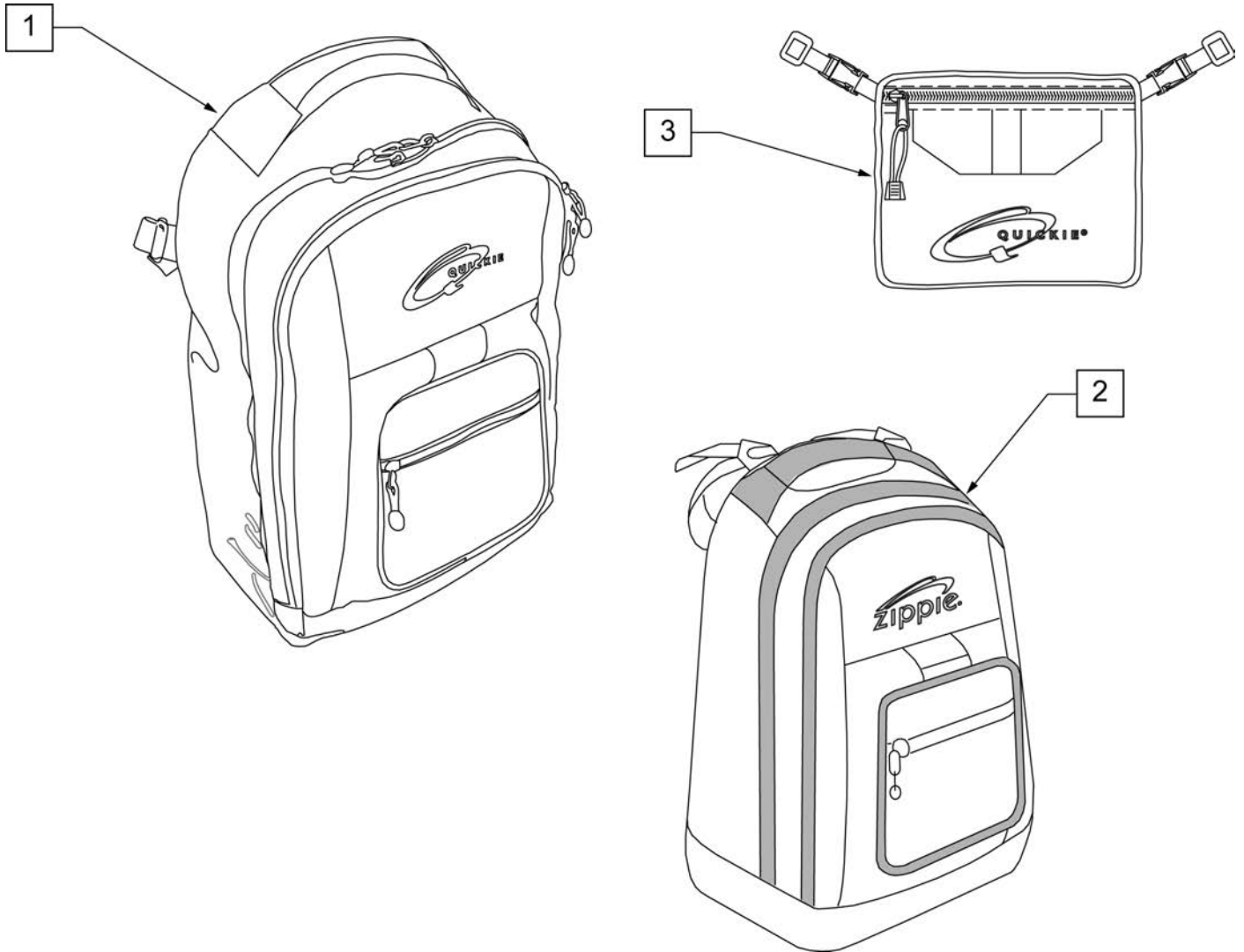
**SPOKE GUARD MEASURING GUIDE**

PART NUMBER	INSIDE DIAMETER	OUTSIDE DIAMETER
902001	8 1/4	15 7/8
902011	8 1/4	18 1/8
902021	10 1/4	19 5/8
902025	10 1/4	20 3/8
902037	10 1/4	21 7/8
902038	10 1/4	23 3/8
103660-001	8 1/4	16
103660-002	8 1/4	18
103663-001	10 1/4	20 1/2
103663-002	10 1/4	23 1/2
103734-001	10 1/4	19 1/4
103734-002	10 1/4	22
119336	10 1/4	19 1/4

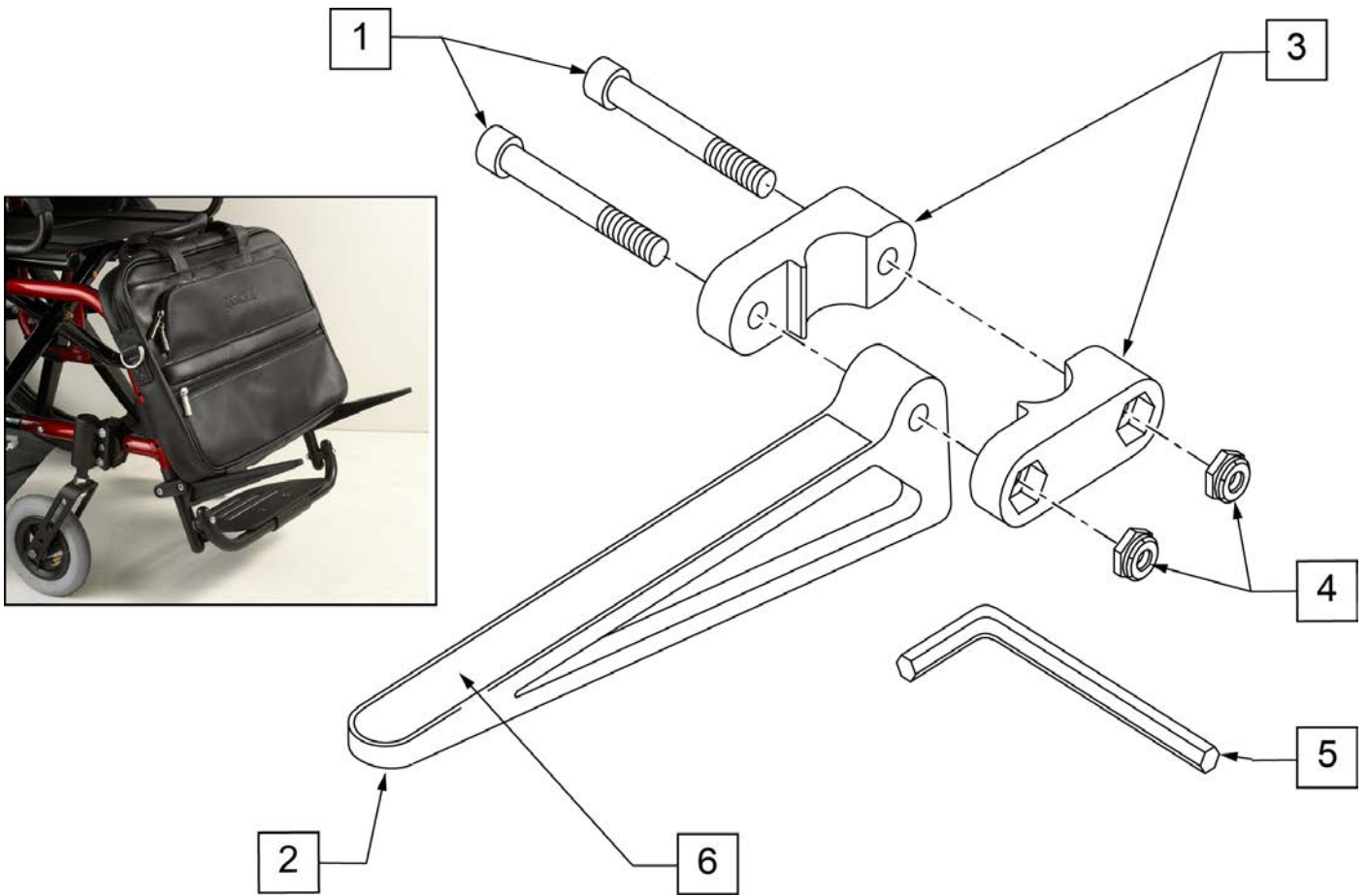


Pos.	Item Number	Description	Remarks
>>>>		BLACK SPOKE GUARDS	
1A	902001	SPK GRDS 20" QUICKIE BLK	PR-Black-fits 20" Whls
1A	902011	SPK GRDS 22" QUICKIE BLK	PR-Black-fits 22" Whls, 24" (540) Whls w/ Proj HR, 24" Mountain Spoke Whls, M6 24" (540) Spoke Whls
1A	902021	SPK GRD 24" QUICKIE SCR MT BLK	PR-Black-fits 24" (540) Mag & Spoke Whls
1A	902025	SPK GRD 24" QUICKIE TAB MT BLK	PR-Black-fits 25" (559) Spk Whls & 26" Mountain Spoke Whls
1A	902037	SPK GRD 26" QUICKIE TAB MT BLK	PR-Black-fits 26" (590) Whls
1A	902038	SPK GRD 26" QUICKIE HT BLK	PR-Black-fits 27" (700) Whls
>>>>		CLEAR SPOKE GUARDS	
1B	103660-001	CLEAR SPOKE GUARD 20"	PR-Clear-fits 20" Whls
1B	103660-002	CLEAR SPOKE GUARD 22"	PR-Clear-fits 22" Whls, 24" (540) Whls w/ Proj HR, 24" Mountain Spoke Whls, M6 24" (540) Spoke Whls

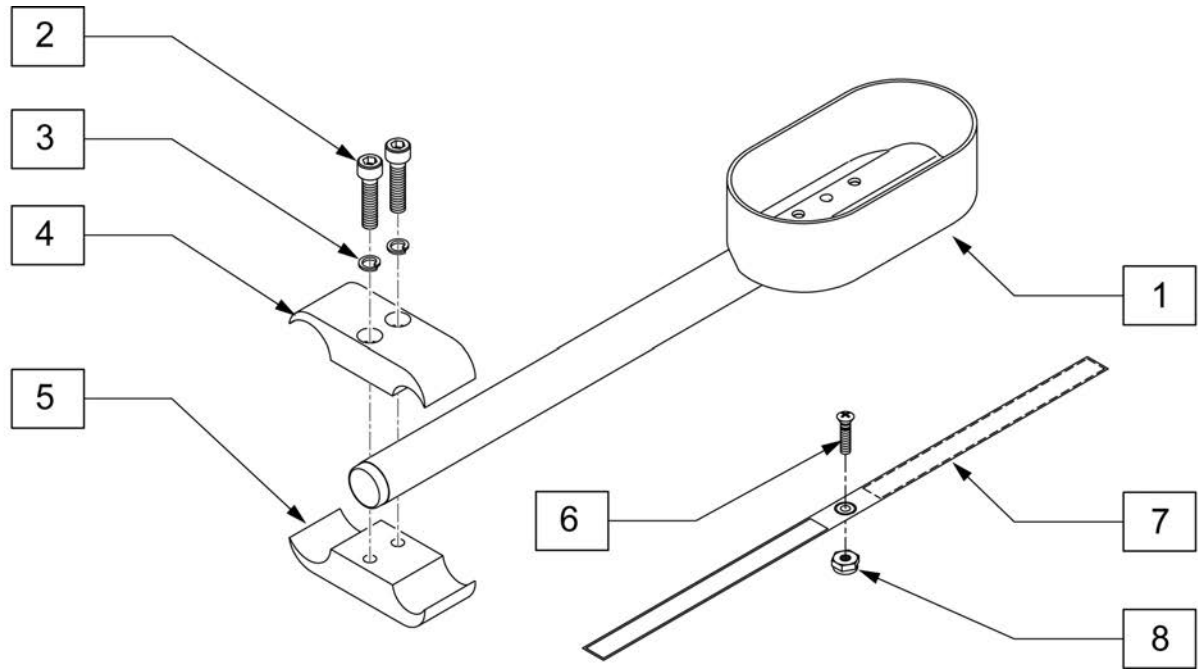
NOTE: KIDS BACKPACKS DO NOT HAVE ADJUSTABLE STRAPS W/ BUCKLES.



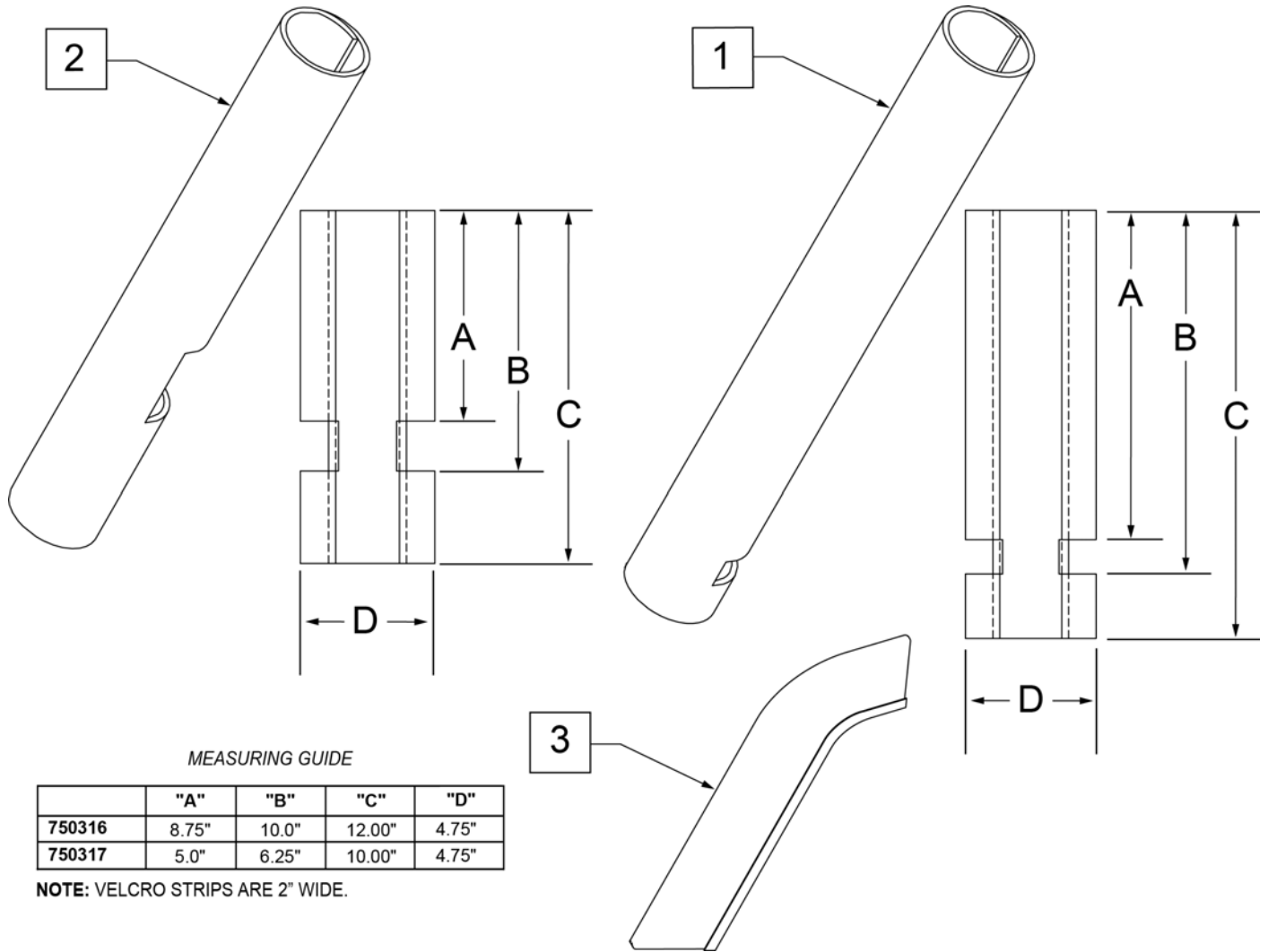
Pos.	Item Number	Description	Remarks
1	750115	BACK PACK QUICKIE	Overall dimensions:width 12.5", height 18.5", depth 6.5"
2	104572	BACKPACK ZIPPIE	Overall dimensions: width 12", height 16.5", depth 4.5"
3	750307	SEAT POUCH QUICKIE	Dimensions: width 8.5", height 6", depth top 2.5", depth bottom 3.5"



Pos.	Item Number	Description	Remarks
1	106975	1/4-28 x 1 1/4 SOC C/S	
2	561105	CADDY ARM	Clamps on to Extension Tube (3/4" round and D2); Caddy Arm length is 7 1/2"
3	561104	CADDY CLAMP	Clamps on to Extension Tube (3/4" round and D2)
4	106935	1/4-28 NYLOCK NUT THIN	
5	349998	3/16" ALLEN WRENCH	
6	580050	CADDY TAPE	
1-6	902350	QUICKIE CADDY (PR)	

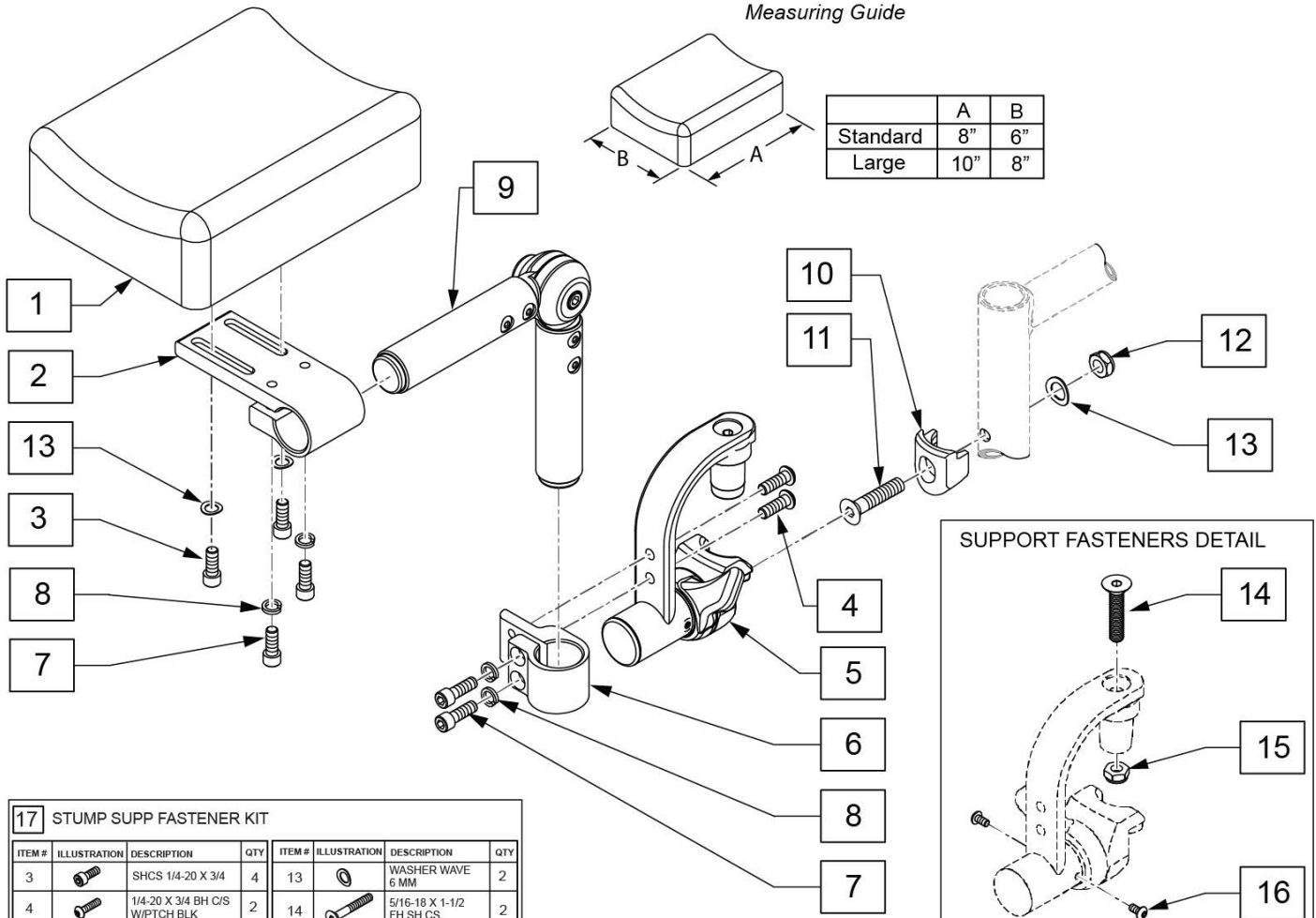
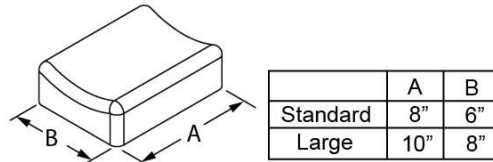


Pos.	Item Number	Description
1	119353	12" CRUTCH HOLDER ASSY RH
1	119354	12" CRUTCH HOLDER ASSY LH
2	107032	SHCS 1/4-28 X 1
3	455037-QU	1/4 X 1 FLAT WASHER
2-5	884101	VENT TRAY CLAMP ASSM S626
6	281110	10-32 x 1/2 PAN PHIL
7	750495	CRUTCH HOLDER STRAP F
8	200100-QU	10-32 NYLOCK NUT
1-8	120747	CRUTCH HOLDER ASSM R
1-8	120748	CRUTCH HOLDER ASSM L



Pos.	Item Number	Description	Remarks
1	750316	IMPACT GUARDS NEOPRENE FIXED (PR)	PAIR-Fixed Front Frame
2	750317	IMPACT GUARDS NEOPRENE S/A	PAIR-S/A Footrest & Q7
3	109231	GEL VELCRO PAD HANGER/FRAME	PAIR- fits S/A & Fixed Front Frame
4	108315	GEL PAD SA ARM	Single, fits Padded SA Armrest

Measuring Guide

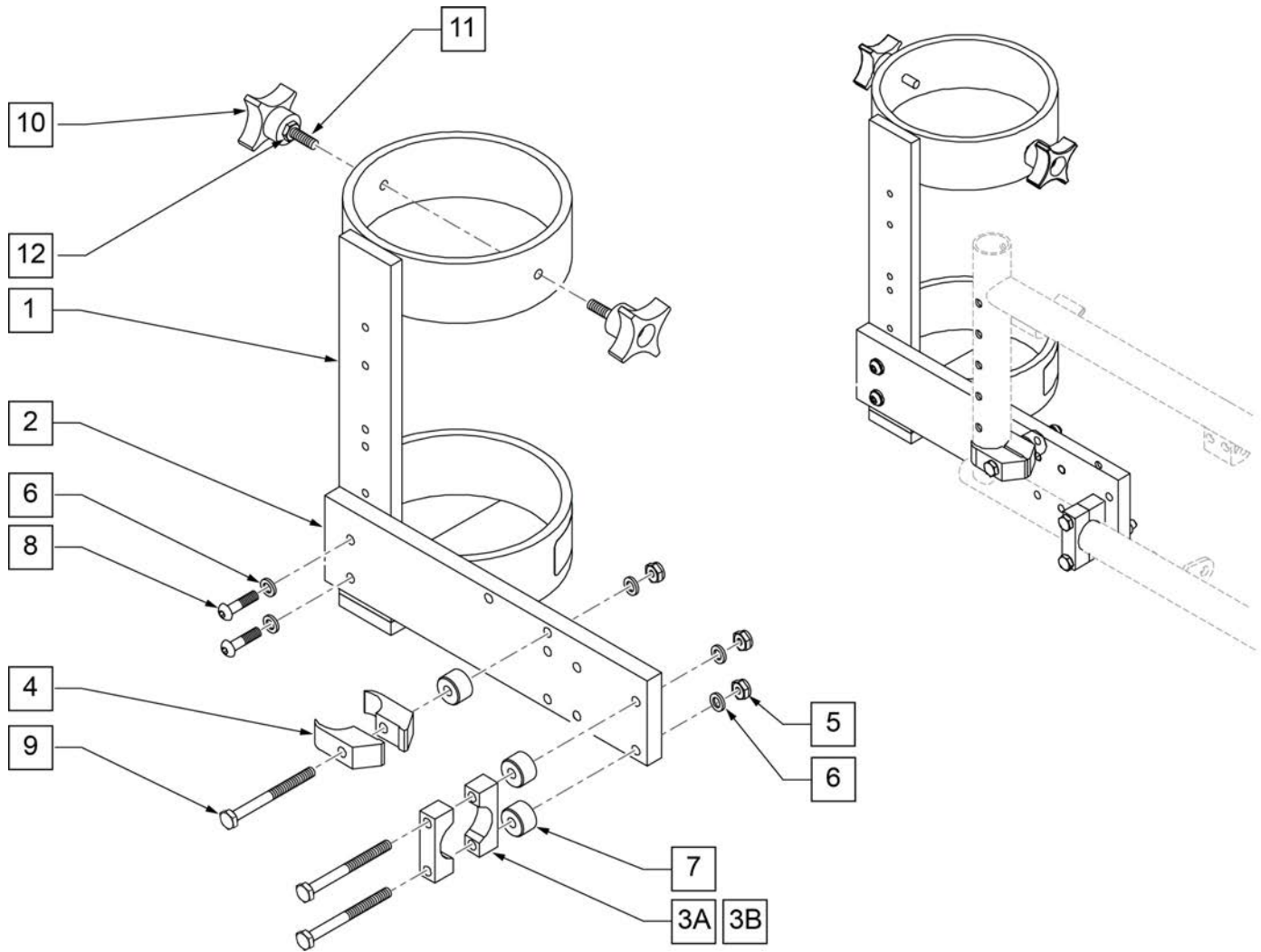


17 STUMP SUPP FASTENER KIT							
ITEM #	ILLUSTRATION	DESCRIPTION	QTY	ITEM #	ILLUSTRATION	DESCRIPTION	QTY
3		SHCS 1/4-20 X 3/4	4	13		WASHER WAVE 6 MM	2
4		1/4-20 X 3/4 BH C/S W/P TCH BLK	2	14		5/16-18 X 1-1/2 FH SH CS	2
7		BOLT 1/4-20 X 1/2 SHCS BLK	2	15		5/16-18 NYLOCK NUT THIN	2
8		WASHER LOCK HI COLLAR 1/4	4	16		BHCS, M4X.7X8, FULL, NP	2

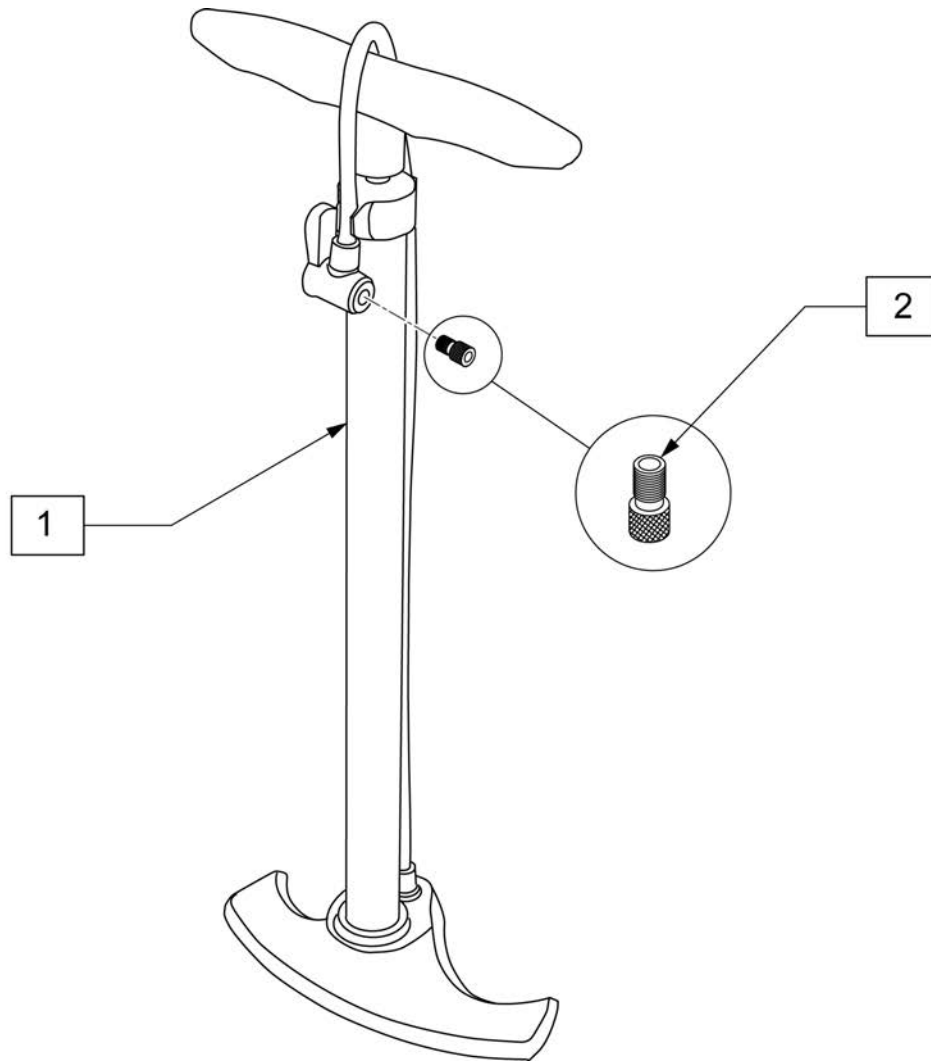
Pos.	Item Number	Description	Remarks
1,3,13	161563	PAD W/FASTENERS STD	Single Pad, 6X8
1,3,13	161564	PAD W/FASTENERS LRG	Single Pad, 8X10
1-9,13	161565	STUMP SUPP RETRO LRG PAD RH	Single Pad, 8X10
1-9,13	161566	STUMP SUPP RETRO LRG PAD LH	Single Pad, 8X10
1-9,13	161567	STUMP SUPP RETRO STD PAD RH	6X8
1-9,13	161568	STUMP SUPP RETRO STD PAD LH	6X8
2-9,13	162051	STUMP SUPPORT W/O PAD RH	No Pad
2-9,13	162052	STUMP SUPPORT W/O PAD LH	No Pad
10-13	119514	LATCH RECEIVER KIT	for 1 side
17	161569	STUMP SUPP FASTENER KIT	for 1 side

**NOTE:** THE Q2 HOLDER WILL INHIBIT THE USE OF THE LOWER TWO MOUNTING HOLES FOR THE AXLE PLATE.

**NOTE:** ACCOMMODATES SIZE D & E OXYGEN TANKS.



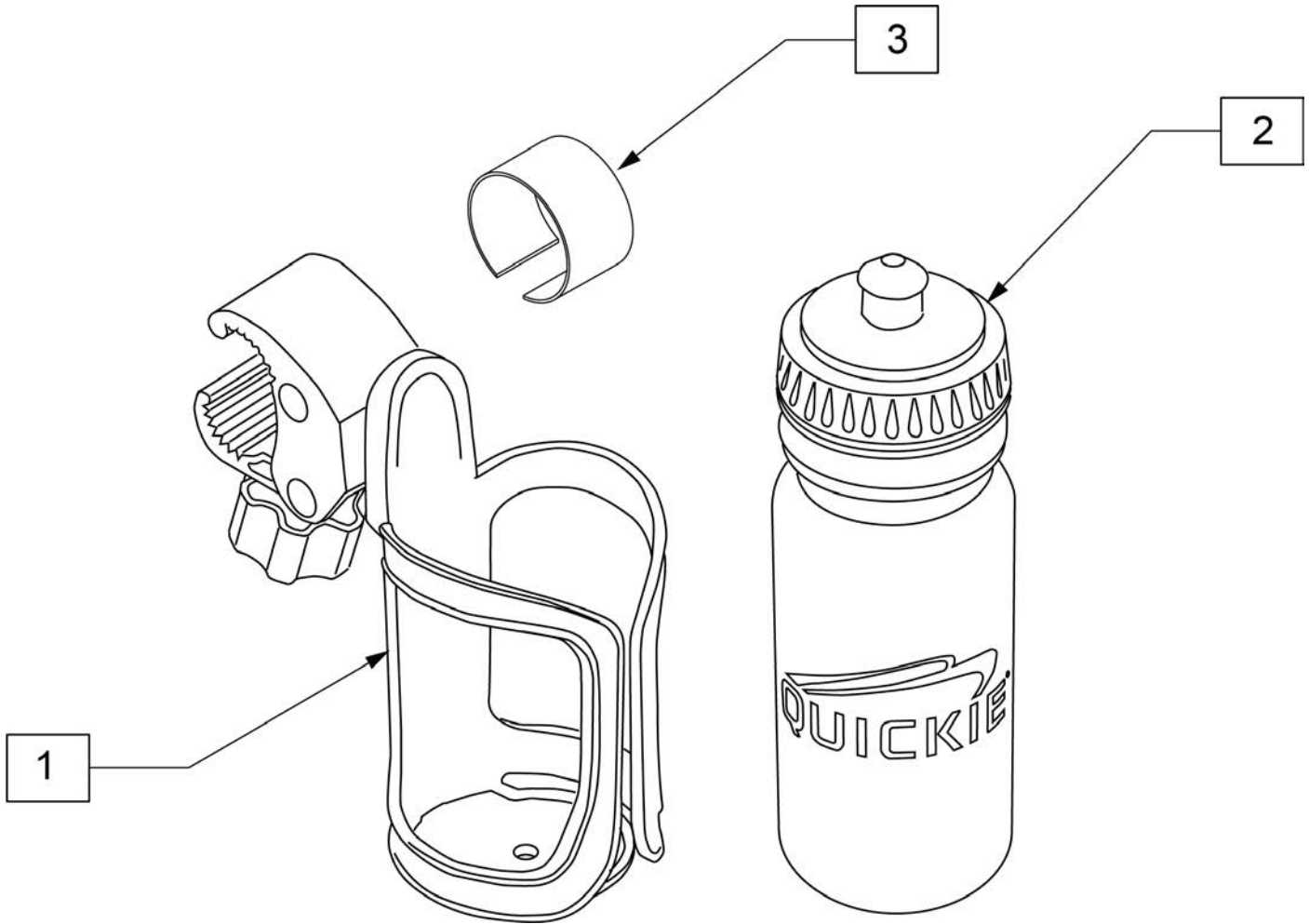
Pos.	Item Number	Description	Remarks
3	550210	A1 LOW LOCK CLAMP BLK AN	
4	550063	A1 PLST SIDE GURD CLAMP	
5	106934	A1 1/4-28 NYLOCK NUT	
6	106943	A1 1/4 AN WASHER FLAT	
7	330031	A1 SUSPENSION SPACER 1/2	
8	226110	A1 1/4-28 X 1 BH C/S	
9	221193	A1 1/4-28 X 2 3/4 G8 HEX	
10	349018	A1 KNOB S/A ADJ STROLLER	
11	226136	A1 1/4-20 X 1 1/2 BH C/S	
12	201121	A1 1/4-20 NUT THIN	
1-12	112264	O2 HLDER ASSM Q2 STRGHT RR SF	Fits Qxi Frame



Pos.	Item Number	Description
1	389050	TIRE PUMP
2	381230	VALVE ADAPTER PRESTA



Note: Water Bottle Cage clamp fits 3/4" to 1 1/2" round tubing, 7R/Q7 and Xenon oval tubing as well as Double "D" tubing; Max bottle diameter is 3 3/4".



Pos.	Item Number	Description	Remarks
1	252135	WATER BOTTLE CAGE W/ CLAMP	Black
2	252136	QUICKIE WATER BOTTLE	Black
3	123526	ADHESIVE RUBBER PAD	
1-3	163680	WATER BOTTLE W/ CAGE AND CLAMP	