

R820, R830, R840, R850, R860 & R870

Rifton Activity Chair

R820, R830, R840, R850, R860 & R870

Product Manual



Standard Base



Hi/Lo Base



Contents

Check your order	4
Warnings and important information	5
Recommended use	6
User and item dimensions	6
Basic chair components	9
Backrest	9
Pads	9
Seatbelt	10
Arm supports	11
Seat depth	13
Tilt-in-space	13
Spring options	14
Seat quick-connect	17
Standard base	19
Adjustable legs	19
Seat height	19
Footboard	19
Hi/Lo base	20
Seat height	20
Caster brakes	21
Swivel lock	21
Footboard	22

Contents continued. . .

Accessories	23
Headrests	23
Whitmyer adapter plate	24
Lateral supports	25
Chest strap	26
Butterfly harnesses	27
Thigh belt	28
Pelvic harness	29
Hip guides	30
Abductor	31
Adductors	31
Leg prompts	32
Ankle straps	32
Sandals and wedges	33
Lumbar and seat support kit	34
Backrest filler pad	34
Push handles	35
Tray	35
Handhold	36
Mini kit	36
Maintenance	38
Cleaning	38
Materials	39
User modifications	39

Key for EU users

Use this key to determine which sections of this Product Manual apply to you.



Technical users For professionals who order and set up Rifton products.



Home users For care-givers who use Rifton products on a regular basis.



Maintenance personnel For anyone who is responsible for service or re-ordering of Rifton products and parts.

Check your order

Your Rifton chair has been shipped according to your specifications. It will require some tool-free assembly. Follow these instructions to insure that your chair is put together and used correctly. This product manual is comprehensive and may discuss features not included in your chair.

If your shipment is incomplete or in any way damaged on arrival, please call Customer Service, 800.571.8198.

WARNINGS

- Thoroughly read and understand the information in this guide before attempting to use this product. If the procedures and instructions in this guide are not followed, serious injury could occur.
- A qualified professional must assess the appropriateness and safety of all equipment for each user.
- Correct use of this product requires the prior approval and ongoing guidance of a qualified therapist or physician.
- This product is intended for use by children of immature judgment. Adult supervision is required at all times.
- Do not use this product on rough and uneven terrain, around swimming pools, or near stairways.
- All mobility equipment may become unstable when used improperly.
- Straps and supports are provided for the safety of the user and must be carefully adjusted for comfort and security. The use of straps and supports must be supervised at all times.
- Restraints – Using straps, trays or supports to restrict a child’s movement is considered behavioral restraint, which may raise ethical and legal issues for your facility. Rifton Equipment is not intended for this use.
- Butterfly harness, chest straps, and tray are not intended to hold user in chair. ALWAYS use seatbelt or pelvic harness when tray is in use.
- To avoid pinch points on chairs with the spring option, keep hands above the seat when the spring is in use.
- Keep children away from under the seat of the chair; there are parts that move when the seat height or seat angle are adjusted.


IMPORTANT

- Please save this Product manual. Additional copies are available at www.rifton.com
- Please refer to the Rifton product catalog for our full warranty, or visit www.rifton.com

Recommended use


The Rifton Activity Chair is intended to provide comfortable seating with adjustable support for children and adolescents with disabilities in the classroom or at home. The chair allows for growth, multiple users, and is available with various accessories that are easily removable as the client gains independence.

Small user and item dimensions

User dimensions – inches (cm)	R820 Standard base	R830 Hi/Lo base
Height	32–48 (81-122)	32–48 (81-122)
with mini kit	28–38 (71-97)	28–38 (71-97)
 <p>Key user dimension: height The user's overall height is a general guide to help you select the appropriate chair. Choose the model that allows for growth.</p> <p>Important: Make sure that seat width, depth, and height are adequate for each individual user, and that the user's weight does not exceed the maximum weight recommended.</p>		


Item dimensions – inches (cm)	R820 small Standard base	R830 small Hi/Lo base
Frame width	short legs: 21 (53)	25 (63)
	long legs: 23 (58)	
	short legs w/ wheels: 22½ (57)	
	long legs w/ wheels: 23½ (60)	
Seat height above floor	short legs: 9½–12½ (24-32)	10–25 (25-64)
	long legs: 18½–21½ (47-55)	
	short legs w/ wheels: 13½–16½ (34-42)	
	long legs w/ wheels: 18½–21½ (47-55)	
Seat angle (tilt-in-space) - degrees	15° forward, 15° back	15° forward, 25° back
Backrest angle - degrees	5° forward, 20° back	5° forward, 20° back
Seat height above footboard with mini kit	9–12 (23-30)	9–12 (23–30)
	6–9 (15-23)	6–9 (15–23)
Seat width with hip guides (without hip guides)	7–9 (18-23)	7–9 (18–23)
	12 (30)	12 (30)
Seat depth with mini kit	8–12 (20-30)	8–12 (20–30)
	7–11 (18-28)	7–11 (18–28)
Armrest height above seat	5–7½ (13-19)	5–7½ (13–19)
Trunk support width	5½–11½ (14-29)	5½–11½ (14–29)
Backrest height	12½–15½ (32-39)	12½–15½
Headrest height above seat	14½–21 (37–53)	14½–21 (37–53)
Max. working load – lbs. (kg)	75 (34)	75 (34)

Medium user and item dimensions

User dimensions – inches (cm)	R840 Standard base	R850 Hi/Lo base
Height	40–56 (102–142)	40–56 (102–142)
 <p>Key user dimension: height The user's overall height is a general guide to help you select the appropriate chair. Choose the model that allows for growth.</p> <p>Important: Make sure that seat width, depth, and height are adequate for each individual user, and that the user's weight does not exceed the maximum weight recommended.</p>		

Item dimensions – inches (cm)	R840 medium Standard base	R850 medium Hi/Lo base
Frame width	short legs: 23¼ (59)	27½ (70)
	long legs: 24½ (62)	
	short legs w/ wheels: 24½ (62)	
	long legs w/ wheels: 25½ (65)	
Seat height above floor	short legs: 12½–16½ (32–42)	12–23 (30–58)
	long legs: 19–23 (48–58)	
	short legs w/ wheels: 16–20 (41–51)	
	long legs w/ wheels: 19–23 (48–58)	
Seat angle (tilt-in-space) - degrees	15° forward, 15° back	15° forward, 25° back
Backrest angle - degrees	5° forward, 20° back	5° forward, 20° back
Seat height above footboard with footboard lift	12–16½ (30–41)	12–16½ (30–41)
	8–12½	8–12½
Seat width with hip guides (without hip guides)	8½–11½ (22–29)	8½–11½ (22–29)
	14 (36)	14 (36)
Seat depth	11–16 (28–41)	11–16 (28–41)
Armrest height above seat	7–10½ (18–27)	7–10½ (18–27)
Trunk support width	6½–12 (17–30)	6½–12 (17–30)
Backrest height	15½–19 (39–48)	15½–19 (39–48)
Headrest height above seat	17½–24½ (44–62)	17½–24½ (44–62)
Max. working load – lbs. (kg)	150 (68)	150 (68)

Large user and item dimensions

User dimensions – inches (cm)	R860 Standard base	R870 Hi/Lo base
Height	50–74 (127–188)	50–74 (127–188)
 <p>Key user dimension: height The user's overall height is a general guide to help you select the appropriate chair. Choose the model that allows for growth.</p> <p>Important: Make sure that seat width, depth, and height are adequate for each individual user, and that the user's weight does not exceed the maximum weight recommended.</p>		

Item dimensions – inches (cm)	R860 large Standard base	R870 large Hi/Lo base
Frame width	short legs: 26¼ (66)	29¾ (75)
	long legs: 26¼ (66)	
	short legs w/ wheels: 27¾ (71)	
	long legs w/ wheels: 27¾ (71)	
Seat height above floor	short legs: 16½–20½ (42–52)	16–24 (41–61)
	long legs: 20–24 (51–61)	
	short legs w/ wheels: 16½–20½ (42–52)	
	long legs w/ wheels: 20–24 (51–61)	
Seat angle (tilt-in-space) - degrees	15° forward, 15° back	15° forward, 25° back
Backrest angle - degrees	5° forward, 20° back	5° forward, 20° back
Seat height above footboard	15–20 (38–51)	15–20 (38–51)
	with footboard lift	11–16
Seat width with hip guides	11–14 (28–36)	11–14 (28–36)
	(without hip guides)	17 (43)
Seat depth	15–20 (38–51)	15–20 (38–51)
Armrest height above seat	7–10½ (18–27)	7–10½ (18–27)
Trunk support width	9½–14 (24–36)	9½–14 (24–36)
Backrest height	19–24 (48–61)	19–24 (48–61)
Headrest height above seat	19½–29½ (50–75)	19½–29½ (50–75)
Max. working load – lbs. (kg)	225 (102)	225 (102)

Basic chair components

A *Quick Reference Guide* for your chair is located behind the backrest pad.

Note: Every white lever and button indicates a point of adjustment.

Backrest

Backrest angle and height adjust with one-hand levers.

To adjust backrest angle, squeeze white backrest angle lever and move backrest forward or backward to desired angle, then release lever (see Figure 9a).

To adjust backrest height, depress backrest height lever to raise or lower backrest to desired position, then release lever. Click backrest into position (see Figure 9a).

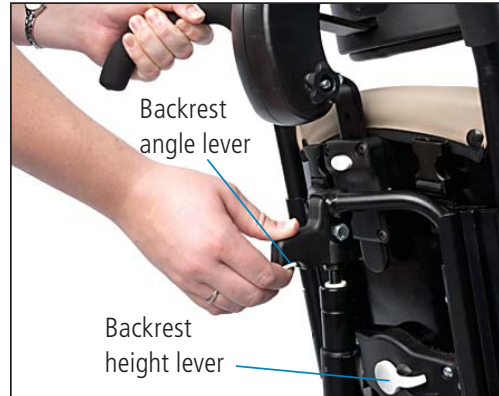


Figure 9a

Pads

Backrest and seat pads are snapped into position.

Backrest pad has a cloth tag marked Rifton (see Figure 9b) and is snapped onto studs (A) located behind top and bottom edge of backrest (see Figure 9c).

Seat pad has no tag and is snapped onto studs (B) located under front and back edge of seat (see Figure 9c).

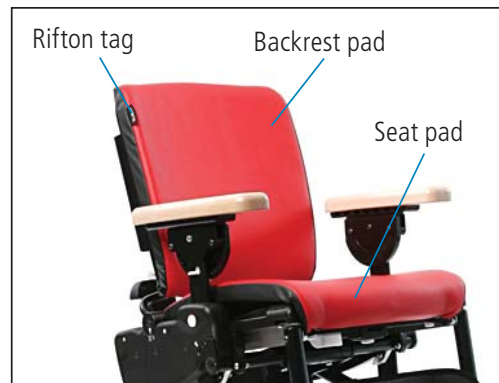


Figure 9b

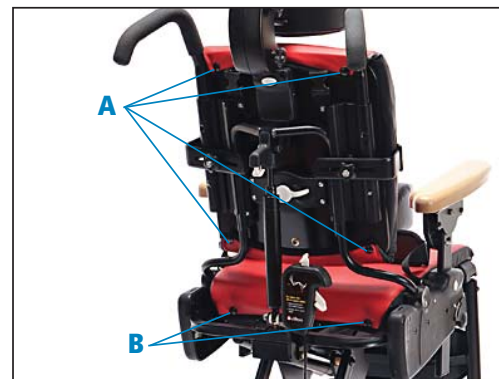


Figure 9c

Seatbelt

To attach seatbelt, use pen to depress small white button (C) just below one of the slots (B) at either side of seat. While keeping button depressed, insert L-shaped metal clip (A) at end of seatbelt strap into slot with back of L-shape towards front of seat. Press clip firmly into slot and release button, making sure clip locks into place and holds when pulled. Repeat on other side of seat.

To remove seatbelt, use pen to depress small white button (C) just below clip slot on side of seat, and pull belt upwards to disengage clip. Repeat on other side of seat (see Figure 10a).

Note: Seatbelt can be clipped into either set of small slots at sides of chair.

⚠ WARNING

ALWAYS use a seatbelt or pelvic harness. Absence of a seatbelt or pelvic harness may result in falls and may pose a strangulation hazard to user when a chest strap, butterfly harness or tray is in use.



Figure 10a

Arm supports

A pair of arm supports, either armrests or forearm prompts, were selected with purchase of chair.

Both types of arm supports come in left and right pairs and insert into large slots at either side of seat.

Both types of arm supports can be removed for side transfers.

To insert arm support and to adjust its height, depress white button (A) just below arm support slot at side of seat, insert arm support, move it up or down to required height, release button and make sure support clicks into place (see Figure 11a).

To remove arm support, depress white button just below arm support slot at side of seat and pull upwards on arm support.

Armrests can be set at a wide range of angles to backrest and seat.

Note: Cut-outs on wooden armrests should be toward back of chair.

To set angle of wooden armrest, lift white tab (B) below outer edge of armrest (see Figure 11a) and rotate armrest to desired angle. Release tab and make sure armrest clicks into place.



Figure 11a (Armrests)

Arm supports continued. . .

Forearm prompts adjust fully to facilitate trunk and head control while sitting. Forearm prompt pads, clamps and posts are identical to arm prompts used on the Rifton Pacer and the Rifton Dynamic Stander.

Forearm prompts are attached using a clamp and post system (see Figure 12b). The clamp attaches with a screw knob (F) to any position on the bar (G) (see Figure 12a).

The post fits into the clamp and provides up/down and rotational adjustment.

Arm prompt can be attached to the post in several positions by sliding or rotating to achieve the best position for the user. Loosen the single knob (A) underneath to make adjustments (see Figure 12b).

Adjust the forearm prompts to the best position for user's comfort and function. Slide or rotate the handgrip (see Figure 12b), by loosening, then tightening knob (C) on the side. Adjust straps (D and E) (see Figure 12a) and secure with hook and loop fasteners (hooks away from the user's arm).



Figure 12a (Forearm prompts)

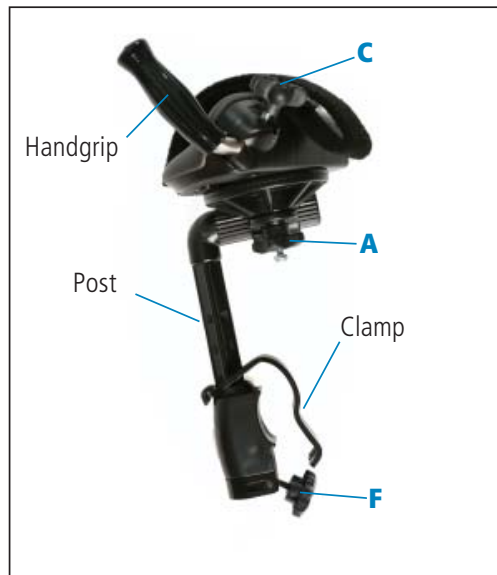


Figure 12b

Seat depth

To adjust seat depth, pull white handle located below seat (see Figure 13a). Move seat forward or back to desired position and release handle. Make sure seat clicks into place.



Figure 13a

Tilt-in-space

Tilt-in-space moves entire seat and backrest from a rest position to active sitting and vice versa.

To adjust tilt-in-space angle, place one hand on push handle or top of backrest and with other hand simultaneously squeeze tilt lever and safety lock (see Figure 13b). Push forward or pull backward on push handle or backrest until desired angle is reached, then release levers to lock seat and backrest into desired position.

Use angle indicator (see Figure 13c) on side of chair for consistent positioning.



Figure 13b

WARNING

Keep hands and limbs away from moving parts when adjusting chair.



Figure 13c

Back and seat springs

Spring option allows for user-initiated movement and allows chair to “bounce.”

The Standard base with spring option has spring in backrest and seat (see Figure 14c).

The Hi/Lo base with spring option has spring in backrest only.

There are two locked (non-dynamic) positions on the backrest gas spring. When locked, each position provides 15° of angle adjustment using the backrest angle lever. The seat spring also has two locked, (non-dynamic) positions, each providing 15° of adjustment using the tilt-in-space lever.



Figure 14c



Figure 14a



Figure 14b

Activity mode (-10° to +5°):

To lock the backrest in the upright position for activities, turn the twist-lock collar to the right until it locks (see Figure 15b). With the angle lever adjust the backrest angle forward or back 15° (see Figure 15c)

Note: When locking the backrest spring option, it may be necessary to move backrest forward or back to enable twist-lock collar to slip into position.

Note: Spring option enables about 10° range of movement. Thus, angle adjustment of backrest or seat will be more limited when spring option has been ordered with your chair (see Figure 15b).

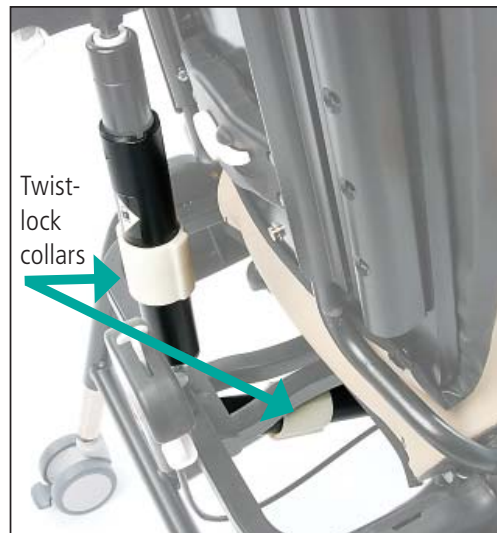


Figure 15a



Figure 15b



Figure 15c

Relax mode (-20° to -5°):

To position and lock the backrest for reclined resting, unlock the white twist-lock collar (see Figure 14b). Push down and back on the top of the backrest (not on the headrest) until the groove around the movable gas cylinder almost retracts into the outside cylinder. While still holding the backrest down, turn the white twist-lock collar to the right until it locks. This function is easier to perform with your client in the chair. Once locked, adjust the angle of the backrest forward or back 15° using the angle lever (see Figures 16a and 16b).



Figure 16a

Extra seat recline (on standard base models only):

If the seat has a gas spring (located under the seat) it will also have the two locked (non-dynamic) positions allowing an extra 15° of recline from the tilt-in-space. To unlock the seat spring, rotate the twist-lock collar under the seat counter-clockwise. Turn it clock-wise to lock it and then use the tilt-in-space lever to make final adjustments.

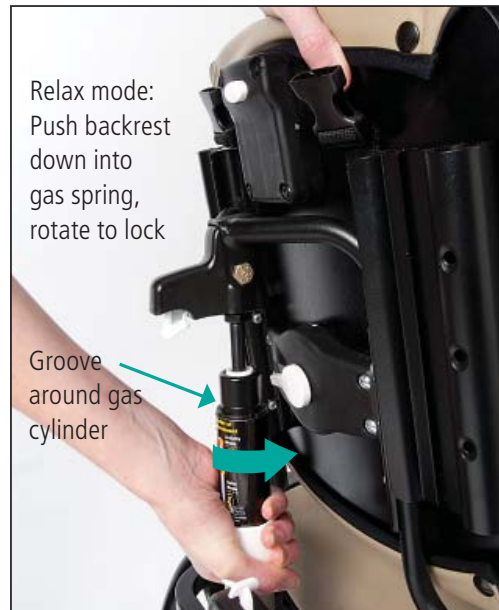


Figure 16b

Seat quick-connect

Every Rifton Activity Chair seat and backrest unit can be detached from its base and re-attached to any other Rifton Activity Chair base of the same size. Thus, a Rifton Activity Chair Standard base can be converted to a Hi/Lo base and vice versa, by ordering the base required.

To detach seat and backrest unit from base, first disconnect footboard angle adjuster, if footboard is present (see Figure 17a). Also lock casters, if casters are present, and remove arm supports from chair.

Note: To disconnect footboard angle adjuster, reach beneath seat, depress white tube latch and pull footboard up and away from seat until tubing drops out of housing (see Figure 17a).

With footboard angle adjuster disconnected, casters locked and arm supports removed, find two white levers (A) located directly beneath the chair seat (see Figure 17b). Place one hand under front edge of seat and lift it upwards. At the same time, with the other hand, pull one of the two levers (A) towards front of chair. Still lifting front edge of seat, pull second lever (A) towards front of chair to completely disengage bottom of seat from crossbar (B) beneath it.

Once front of seat is disengaged, pull entire seat and backrest unit towards front of chair and away from base until seat hoop (C) completely disengages from metal prongs (D) (see Figure 17c).

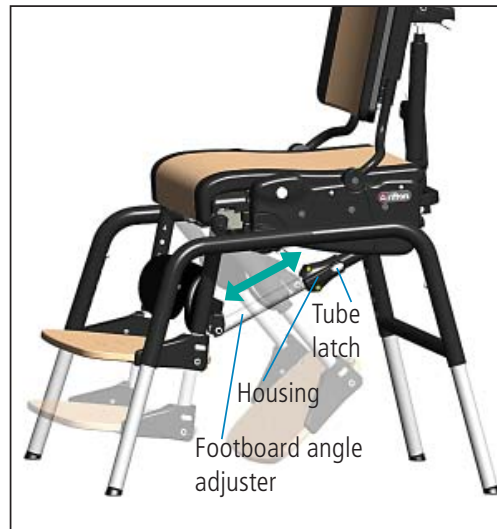


Figure 17a

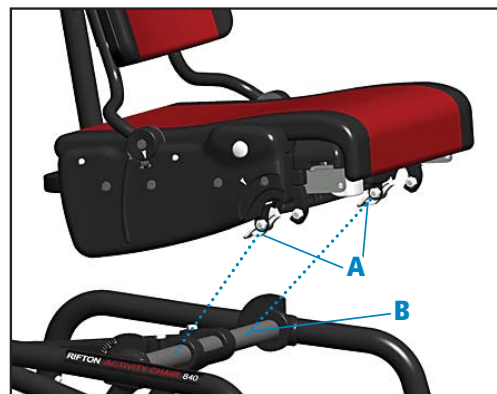


Figure 17b

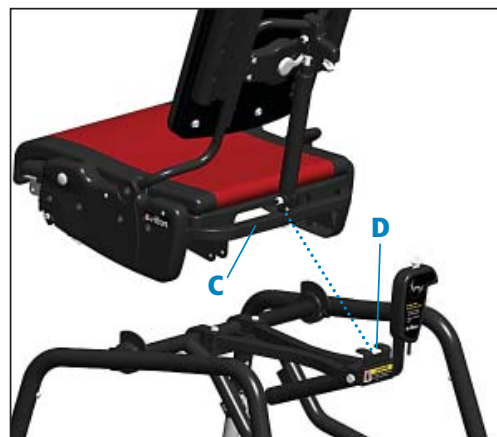


Figure 17c

Seat quick-connect continued. . .

If the seat is being installed on a Hi/Lo base, raise the base to its full height first.

To attach seat and backrest unit to base, slide seat hoop (C) under prongs (D) on base, centering backrest column between prongs (see Figure 17c). Then lower seat onto crossbar (B) (see Figure 17b), pushing firmly down on front edge until it snaps into place.

Reconnect footboard adjustment tubing to its housing by holding housing and tubing in straight line to one another, depressing tube latch, inserting tubing into housing and making sure it clicks into place at desired setting (see Figure 17a).

Note: The process of detaching seat from base and re-attaching it to another base works best when performed with two people, one on either side of chair.

WARNING

Make sure seat is firmly attached, front and back, before use.

Standard base

Adjustable legs

Either a set of four long legs, or four short legs, or four long legs with casters, or four short legs with casters has been selected by purchasing the standard base. Additional sets of legs may be purchased as an accessory.

To connect leg to chair, depress snap button and insert leg into housing. Release snap button and make sure leg clicks into place (see Figure 19a).

To disconnect leg from chair, depress snap button and pull leg out of housing.

Note: When connecting legs with casters, be sure that the caster with swivel lock function is inserted into right rear leg of base frame (see Figure 19b).

Note: For more information on caster function, see sections titled Caster brakes and Swivel lock under hi/lo base heading.

⚠ CAUTION: Always ensure that the four legs of a set are used together on one chair. Do not connect legs of varying length and with varying features to the same chair.

Footboard

Footboard is an accessory with standard base. For information on footboard and its adjustments, see section titled Footboard under hi/lo base heading.

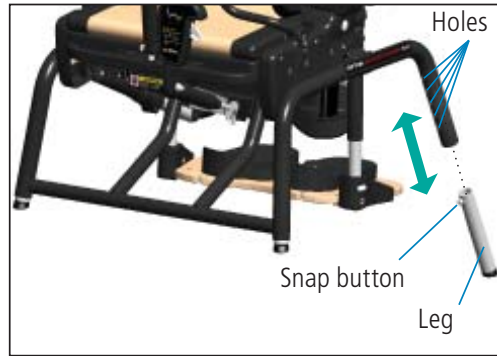


Figure 19a

Seat height

The selection of long or short legs, with or without casters will impact seat height. To adjust seat height, depress snap button on each adjustable leg, push or pull leg to desired setting, release snap button and make sure it clicks into place (see Figure 19a).

Note: To lower seat to desired level, footboard height may need to be adjusted.

⚠ WARNING

Adjust all legs to same height for stability.



Figure 19b

Hi/Lo base

Large & medium chair seat height (R850 & R870)

To adjust seat height, use foot pedal located at rear of chair. To raise seat, pump downward repeatedly on foot pedal until desired height is achieved (see Figure 20a). To lower seat, lift red safety lock and foot pedal up until seat descends to desired height.

Small chair seat height (R830)

To adjust seat height, use handle behind backrest. Squeeze and hold both triggers while pulling up or pushing down (see Figure 20b).

Note: To lower seat to desired level, footboard height may need to be adjusted.

WARNING

Keep hands and limbs away from moving parts when adjusting chair.



Figure 20a



Figure 20b

Caster brakes

Caster brakes should be used for transfers into and out of chair and when chair mobility is not desired.

To apply brake, step down on pedal (A) protruding from caster wheel (see Figure 21a). To release brake, lift pedal up.

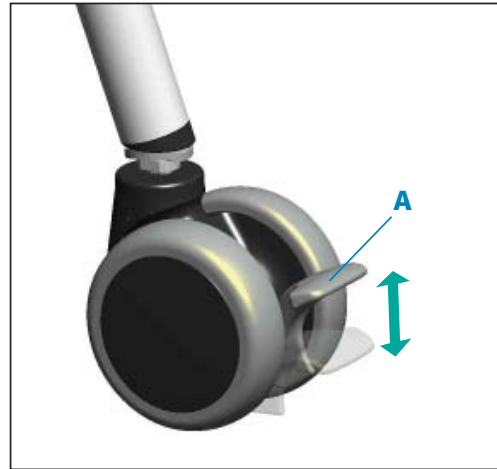


Figure 21a

Swivel lock

Swivel lock can be used to keep chair from drifting sideways when it is being pushed.

To apply swivel lock, position caster directly beneath swivel lock post and push handle down with foot. Swivel lock post should drop into caster groove and stop just above brake pedal (see Figure 21b).

To release swivel lock, pull upwards on white knob until snap button clicks into place above metal collar.

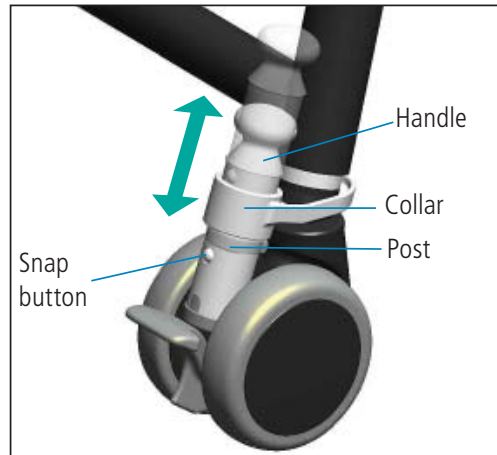


Figure 21b

Footboard

The footboard firmly supports user's feet, when seat is too high for feet to touch floor. The footboard also serves as a base for ankle straps, sandals, and wedges. Footboard supports weight of user during transfers, or can be swung out of the way beneath seat.

To set angle of footboard to seat, reach beneath seat and depress white tube latch. With other hand push or pull footboard to desired setting, then release latch and make sure it clicks into place (see Figure 22a).

To adjust footboard height, simultaneously depress both white footboard buttons located at either side of footboard. Slide footboard up or down evenly on both sides to desired setting. Make sure footboard clicks into place (see Figure 22b).

WARNING

Be sure push buttons are engaged before client steps on footboard.

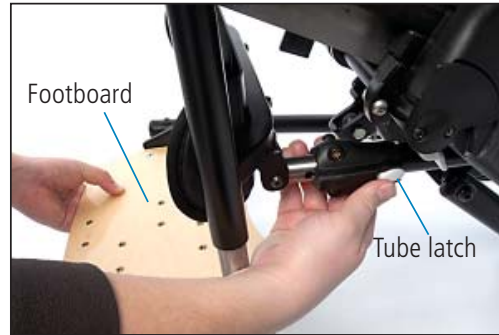


Figure 22a



Figure 22b

Accessories

Headrests

A headrest can be purchased with a flat, contoured or adjustable winged headpiece (see Figure 23a).

The adjustable winged headpiece allows for each wing to independently adjust from almost flat to perpendicular, providing more depth and width possibilities.

To attach headrest and adjust headrest height, depress white button (A), insert metal headrest bar and raise or lower it to desired setting. Release button and make sure headrest clicks into place (see Figure 23b).

To adjust depth and angle of headrest, loosen both black knobs (see Figure 23b). Move headrest to desired position and tighten both knobs securely.



Figure 23a

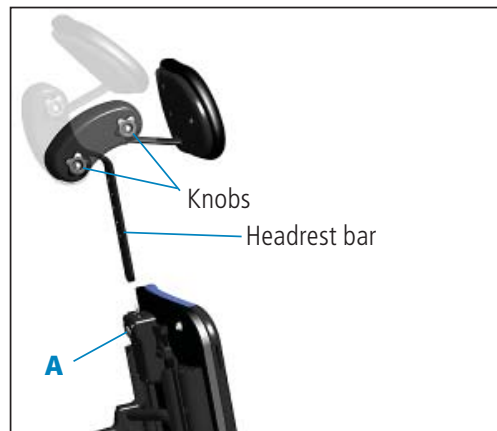


Figure 23b

Whitmyer adaptor plate

Whitmyer Headrests can now be installed on all Rifton Activity Chairs. Rifton's adapter plate gives you the option to use a Whitmyer M2100 headrest mounting bracket and Whitmyer Onyx headrest support system (see Figure 24b) on any Rifton Activity Chair.

To adapt to the Whitmyer Onyx Headrest Support System, purchase the Whitmyer M2100 Mounting Bracket from an authorized Whitmyer dealer.

Using the 5/32" Allen wrench provided, remove the four screws holding the Rifton headrest bracket. Place the adapter plate over the upper two holes. Securely fasten the Whitmyer M2100 Mounting Bracket into the top two holes (see Figure 24a) using the Rifton adapter plate between the bracket and the backrest. The two 1/3" screws that come with the Whitmyer Mounting Bracket require a 3/16" Allen wrench.

⚠ WARNING

The customer assumes full responsibility that this field modification is correctly and safely completed. Rifton does not recommend nor guarantee that the Whitmyer headrest will satisfy the needs of the customer. Rifton is not responsible for the installation or safe use of Whitmyer products.

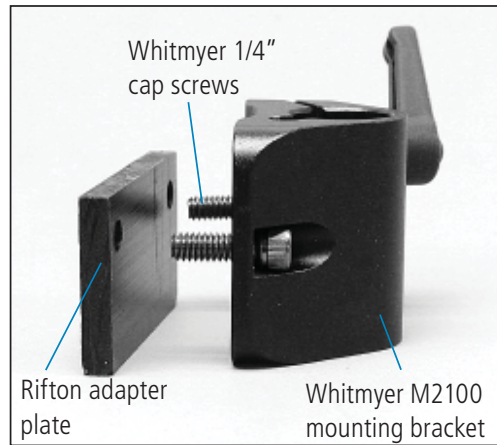


Figure 24a

⚠ CAUTION: This product must always be assembled and serviced by a responsible adult.



Figure 24b

Lateral supports

Lateral supports provide comfortable lateral support for user and are fully adjustable in height, width, and angle. Lateral supports can be purchased either with or without chest strap attached.

To attach and/or adjust lateral support (A), loosen black knob (B) and insert the key (C) into extrusion (D) behind backrest (see Figure 25a). By sliding lateral support up and down extrusion, sliding bracket (E) along its slot, and by rotating the bracket around the knob, adjust height, angle, and width of laterals to fit client. When desired adjustment is reached, tighten knobs firmly (see Figure 25b).



Figure 25a (Chair top view)

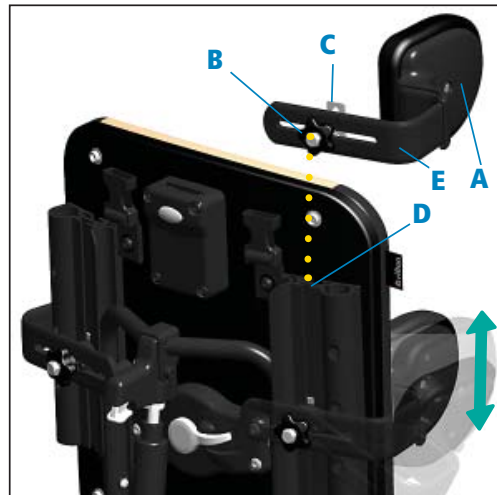


Figure 25b

Chest strap

The chest strap provides anterior support. Two types of chest straps can be purchased: one for use with lateral supports, the other for use on its own.

Note: The stand-alone chest strap may be used with lateral supports, but will not be in line with lateral supports as the compatible chest strap is.

To attach chest strap for use with lateral supports, thread loop at either end of chest strap over the knob and key assembly of lateral supports (see Figure 26a), making sure buckle faces outwards when chest strap is used.

Loops can be threaded either with chest strap encompassing lateral supports, or with straps on the inside of lateral supports (see Figure 26a).

Stand-alone chest strap, is wider than chest strap for use with lateral supports (see Figure 26b). To attach, loosen black knobs at both ends of strap and insert the keys into the extrusions behind backrest. Slide knobs up and down until desired height is achieved, then tighten knobs firmly (see Figure 26c).



Figure 26a



Figure 26b

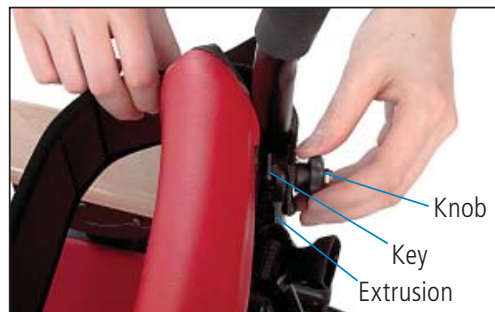


Figure 26c

⚠ WARNING

ALWAYS use a seatbelt or pelvic harness. Absence of a seatbelt or pelvic harness may result in falls and may pose a strangulation hazard to user when a chest strap, butterfly harness or tray is in use.

A loose, over-tightened, or incorrectly positioned chest strap may pose a strangulation hazard to user.

Butterfly harness

The butterfly harness provides anterior support while allowing maximum freedom of movement.

To attach butterfly harness, insert L-shaped metal clips (A) at the ends of lower harness straps into slots (B) at either side of seat. Press clip firmly into slot with back of L-shape towards front of seat, making sure it clicks into place and holds when pulled (see Figure 27a). Then clip top buckles (E) together behind top of backrest (F) (see Figure 27b).

Note: The butterfly harness can be clipped into either set of small slots at sides of chair seat. Use other set for seatbelt or pelvic harness.

To remove butterfly harness, use pen to depress small white button (C) and pull harness upwards to disengage clip. Repeat on other side of seat (see Figure 27a).

To use butterfly harness, unclip all four buckles (D and E) to completely free harness pad (see Figures 27a and 27b). Transfer client into Activity Chair, then place harness pad on user's chest. Secure all four buckles and adjust straps as necessary.

Slim-cut butterfly harness

Slim-cut butterfly harness performs the same positioning function as the regular butterfly harness but is an alternative option, especially designed for female clients. It is slim across the chest, making it more comfortable.

To attach slim-cut butterfly harness follow the regular butterfly harness instructions.



Figure 27a



Figure 27b

⚠ WARNING

ALWAYS use a seatbelt or pelvic harness. Absence of a seatbelt or pelvic harness may result in falls and may pose a strangulation hazard to user when a chest strap, butterfly harness or tray is in use.

ALWAYS check fit of butterfly harness, especially after adjusting chair. Loose straps, over-tightened straps, or wrongly positioned harness pads may pose a strangulation hazard to user (see below).

Absence of lateral supports may cause top of butterfly harness to exert enough pressure on one side of user's neck to pose a strangulation hazard.

Thigh belt

A thigh belt can provide additional support and security for user's thighs and helps adduct user's knees.

To attach thigh belt, unsnap and lift up front of seat pad. Hold metal slide over recessed side of H-slot with belt extending over closest edge and plastic buckle downwards (see Figure 28a). With other hand, pinch sides of belt together about 1.5" away from metal slide. Shove pinched belt section through cross bar of H-slot and push more through until belt is flat, then pull up. Metal slide should be on top with belt looping below seat. Repeat with other end of belt. Replace seat pad.

To remove thigh belt, first remove seat pad. Grasp thigh belt strap directly above slot from which it protrudes, and pinch strap edges into cross-bar of H-slot. Push downwards on strap to loosen metal slide from recess in which it is seated. Grasp metal slide with other hand and pull strap free. Repeat on other side, then replace seat pad.

To adjust thigh belt, pull adjuster straps threaded through either side of center buckle (see Figure 28b).

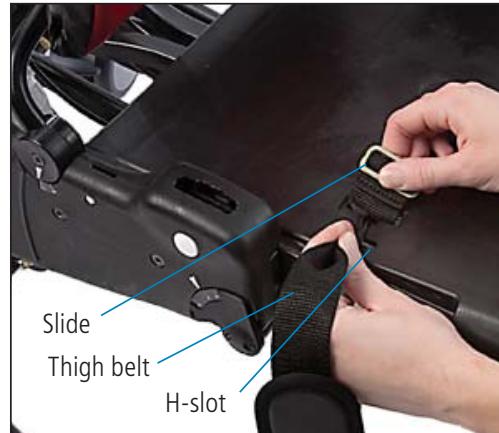


Figure 28a



Figure 28b

⚠ WARNING

If using thigh belt along with a chest strap, butterfly harness or tray, a seatbelt or pelvic harness is also required:

ALWAYS use a seatbelt or pelvic harness. Absence of a seatbelt or pelvic harness may result in falls and may pose a strangulation hazard to user when a chest strap, butterfly harness or tray is in use.

Pelvic harness

Pelvic harness may be used in place of seatbelt as the primary means of securing user in chair. This alternative to the more typical seatbelt gives a stable base for developing sitting postural control. Pelvic harness firmly positions user's pelvis by securing hips and upper thighs without placing pressure on the abdomen.

To attach pelvic harness, place it on seat with wide ends towards back of seat and strap attachment points down. Insert L-shaped metal clips, attached by short straps to back corners of harness, into slots at either side of seat. Press clip firmly into slot with back of L-shape towards front of seat, making sure it clicks into place and holds when pulled (see Figure 29a).

Lay the harness pad flat on the seat as shown (see Figure 29b). Seat the child in the chair. Pull each end of the pad up between the legs and over the near leg (e.g., left pad end over the left leg) (see Figure 29c). Secure the buckles. Tighten the straps as necessary.

To remove pelvic harness, use pen to depress small white button just below clip slot on side of seat and pull harness upwards to disengage clip. Repeat on other side of seat.

Note: Pelvic harness can be clipped into either set of small slots at sides of chair. Be sure to consider seat depth required for user and assess that slot selected for attachment will allow appropriate use of pelvic harness.



Figure 29a



Figure 29b



Figure 29c

⚠ WARNING

ALWAYS use a seatbelt or pelvic harness. Absence of a seatbelt or pelvic harness may result in falls and may pose a strangulation hazard to user when a chest strap, butterfly harness or tray is in use.

Hip guides

Hip guides provide additional lateral support to user's hips and can be independently adjusted for best fit.

Hip guides are clipped to arm supports, either armrests or forearm prompts, and can be removed along with arm supports for transfers.

To attach the left hip guide: Remove the left armrest. Place the left hip guide over the armrest slot with the white button for lateral adjustments on the outside of the chair facing the backrest (see Figure 30a). Slide the armrest through the hip guide and into the chair slot. Tip: Match the raised molded armrest outline on the hip guide with the wooden armrest shape above it (see Figures 30b and 30c).

Repeat in reverse to attach right hip guide.

To adjust width between left and right hip guides, depress white button and move hip guide pad in and out, making sure it clicks into place when desired setting is reached.

Note: Small hip guides can be used with the mini kit.



Figure 30a



Figure 30b



Figure 30c

Abductor

Abductor can be used to keep user's knees comfortably apart.

Before attaching abductor, remove leg prompts, if present.

To attach abductor, insert abductor post into slot centered directly beneath front of seat. Reach below slot and depress white abductor button in order to insert abductor post fully into slot (see Figure 31a).

To adjust depth of abductor to seat, depress white abductor button and pull abductor to desired setting then release button making sure abductor clicks into place.



Figure 31a

Adductors

Adductors can be used to limit lateral movement of user's knees and provide a comfortable lateral boundary.

To attach adductors, depress adductor button and insert metal posts into slots located on sides of seat at its front corners, so that adductor pads are towards seat. Release button and make sure adductors snap into place.

To remove adductors, find the two white adductor buttons located below front corners of seat. Depress these buttons and pull adductors out of their slots (see Figure 31b).



Figure 31b

Leg prompt

Leg prompt can be used in place of abductor providing both abduction and adduction.

Before attaching leg prompt, remove abductor, if present.

To attach leg prompt, insert leg prompt post (A) into slot (B) centered directly beneath front of seat. Reach below slot and depress leg prompt button (C), in order to insert leg prompt post fully into slot (see Figure 32a).

To adjust depth of leg prompt to seat, depress leg prompt button (C). Pull or push leg prompt until desired setting is achieved. Release button and make sure leg prompt click into place.

To adjust width of leg prompt, depress white width buttons (D) located on plastic housing behind leg prompt straps. Move leg prompt closer or farther apart, then release buttons when desired setting is achieved, making sure prompt click into place (see Figure 32a).

Secure user's legs in place with leg prompt straps (see Figure 32b).

Ankle straps

Ankle straps secure user's feet while providing a bounded range of movement (see Figure 32c).

To attach the ankle straps, insert the ends of the straps into the T-slots at the back of the footboard. Pull ankle straps firmly upwards to secure the clips beneath the T-slots (see Figure 32d).

Adjust straps to fit user's needs.

Note: Sandals cannot be used together with ankle straps.

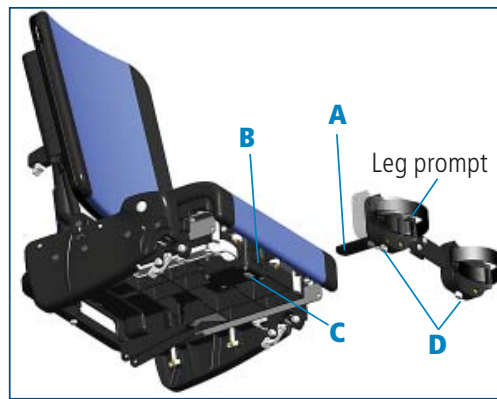


Figure 32a



Figure 32b



Figure 32c



Figure 32d

Sandals and Wedges

Sandals require the footboard to provide positive positioning of user's feet. Adding wedges beneath sandals allows for custom fit of sandal height and tilt.

Sandal bases come in a left and right pair.

To attach, position sandal base on footboard above one of the pairs of screw threads embedded in footboard. Use black knobs provided to secure sandal base to footboard. Begin by tightening knobs only halfway, slide sandal base to desired position, then tighten knobs firmly (see Figure 33a).

Latch each sandal onto sandal bases using white lever (see Figure 33c)

To attach wedge, pull back white lever at side of sandal to remove it from its base. Place wedge on sandal base and push bottom lever back, locking wedge onto base. Add wedges as needed. Place sandal on top of stack and lock it by pushing corresponding white lever (see Figures 33b and 33c). Make sure sandals and wedges are firmly locked together before use.

Wedges may be used either way around and stacked.

Secure user's feet with sandal straps.

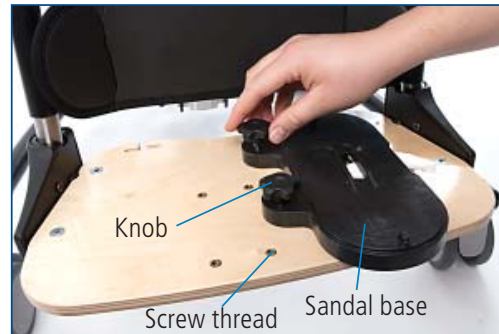


Figure 33a

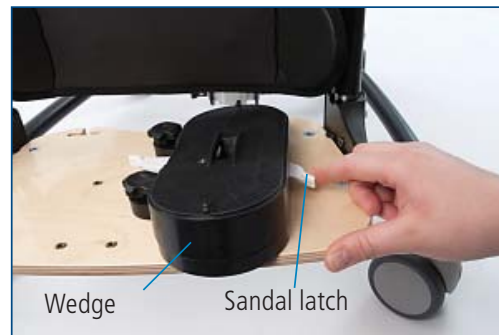


Figure 33b



Figure 33c

Lumbar and seat support kit

The lumbar and seat support kit can be custom-cut and fitted to give extra postural support.

The lumbar support is secured behind backrest pad for additional low back support, and the seat support is secured beneath seat pad to help prevent user from sliding forward on seat (see Figure 34a).

To attach custom lumbar and seat support, remove seat and backrest pads, then use installation instructions provided with lumbar and seat support kit. Support padding may be cut or trimmed if necessary and affixed to seat with hook and loop strips. Replace seat and backrest pads when finished.



Figure 34a

Backrest filler pad

Backrest filler pad can provide additional lower back support when chair backrest is so high that there is an open space between backrest and seat (see Figure 34b).

To attach backrest filler pad, snap it into place on snap stud centered at bottom rear edge of backrest (see Figure 34c).



Figure 34b

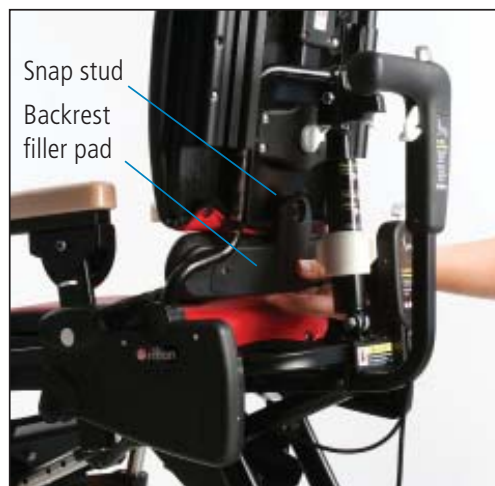


Figure 34c

Push handles

Push handles provide an ergonomic way for a caregiver to maneuver chair and transport user.

There is a left and right push handle.

To attach push handle, depress snap button at bottom of handle and insert it into one of the extrusions at rear of backrest. Since there is a left and right push handle, each handle will only fit into one side of chair (see Figure 35a).

To adjust push handle height, depress snap button and move handle up and down until desired height is reached. Release button, making sure handle clicks into place.

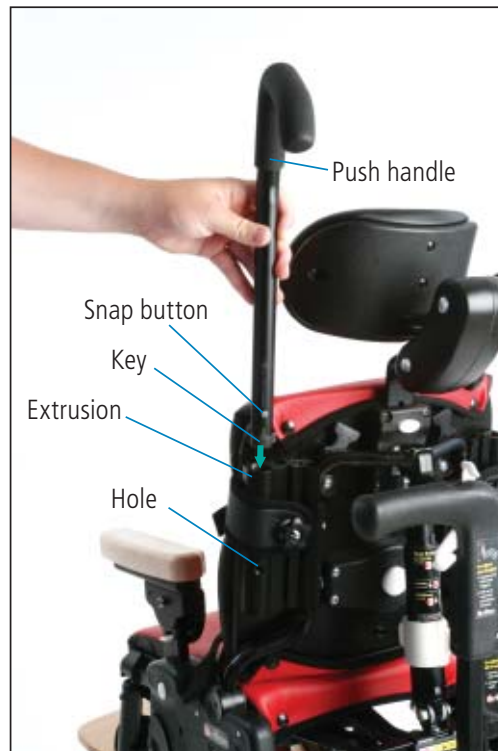


Figure 35a

Tray

Tray provides a work, play and feeding surface and adjusts in height, angle, and depth. A softly-rounded rim contains spills. Tray attaches to wooden armrests, not forearm prompts.

To attach tray, first set both wooden armrests to same height and angle. Pull black handle on tray and slide it onto armrests (see Figure 35b).

To adjust tray depth, pull black handle and slide tray forward or back. When desired place is reached, release handle and make sure tray clicks into place.

Adjust tray height and angle by adjusting armrest height and angle with tray attached (see armrest section on page 11).



Figure 35a

⚠ WARNING

Tray is not intended to hold user in chair.

ALWAYS use a seatbelt or pelvic harness. Absence of a seatbelt or pelvic harness may result in falls and may pose a strangulation hazard to user when a chest strap, butterfly harness or tray is in use.

Handhold

Handhold can be attached anywhere along rim of tray to provide additional support and security.

To attach and adjust handhold, loosen large oval knob and slide handhold along tray until desired position is reached, then tighten knob securely (see Figure 36a).



Figure 36a

Footboard lift

Footboard lifts on the large and medium chairs add four inches of lift to the footboard.

Sandals and ankle straps can be used with all footboard lifts. Using the knobs provided, secure lift to footboard (see Figure 36b).

See pages 32 & 33 for instructions on how to attach ankle straps, sandals and wedges.



Figure 36b Footboard lift

Mini kit (R820 & R830 only)

The three items in the mini kit make the small Activity Chair a prime option for early intervention for the smallest child, from approximately 8 months up to 2 years (see Figure 36c). Remove it as the child grows to keep using the same chair for many more years.

Mini footboard lift adds three inches of lift to the footboard.

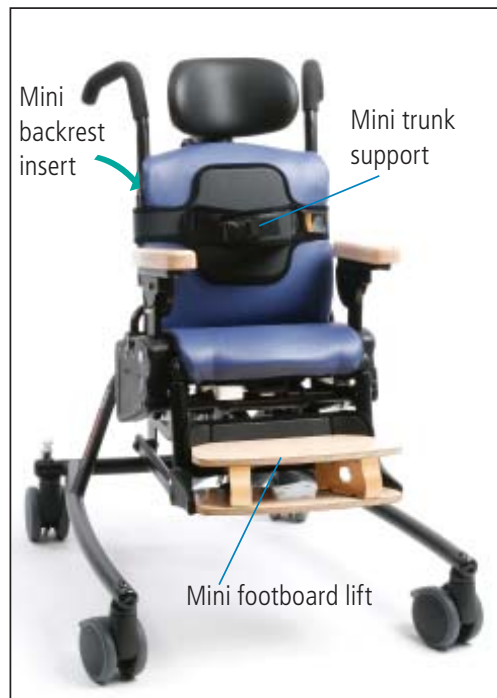


Figure 36c

Mini trunk support provides lateral and anterior support for user and can be adjusted in height and width (see figure 37a). To attach, loosen knobs (A) and insert the keys (B) into the extrusions (C) behind backrest. Slide knobs up and down until trunk support is at desired height. Tighten knobs firmly.

Mini backrest insert reduces the seat depth by one inch. To install mini backrest insert, unsnap top edge of backrest pad, slide in insert, resnap pad (see Figure 37b)..

⚠ WARNING

ALWAYS use a seatbelt or pelvic harness. Absence of a seatbelt or pelvic harness may result in falls and may pose a strangulation hazard to user when a chest strap, butterfly harness, tray or mini trunk support is in use.

A loose, over-tightened, or incorrectly positioned mini trunk support may pose a strangulation hazard to user.



Figure 37a Mini trunk support



Figure 37b Mini backrest insert

Maintenance

To prevent structural failures and SERIOUS INJURIES, Rifton Equipment components and products should not be used for any purpose other than for their intended purpose. Rifton Equipment components and products should be inspected regularly for loose or missing screws or rivets, metal fatigue, cracks, broken welds, missing attachments, loose staples, and general instability. Components or products that are damaged or appear to be unstable should immediately be removed from use and replaced or repaired. Repairs should be made using only Rifton Equipment authorized parts and methods.

Cleaning

Many of the components of the Rifton Chair can be removed for cleaning. Clean chair by wiping with a damp cloth using soap and water or a mild disinfectant solution. Rinse with a damp cloth and water. Do not use excessive amounts of water.

The upholstery should be cleaned in the same manner with a damp cloth and mild disinfectant. You may also use a commercial cleaning agent suitable for imitation leather.

The straps with hook and loop closures may be laundered. Engage the closures before washing. Do not iron.

Materials 🧑

- Steel hardware items (nuts, bolts, screws, etc) are typically zinc or nickel plated, or stainless steel.
- Upholstery items (pads, support blocks, padded prompts, etc) are typically fire-retardant polyurethane foam with a fire-retardant cover made from expanded polyurethane.
- Frames are typically steel or aluminum tubing, welded together, and coated with a baked-on paint finish. Some frame components may also be stainless steel.
- Tires are tubeless, filled with polyurethane foam, and do not require inflation.
- Straps are typically made of polypropylene or nylon webbing.
- Wooden components are typically birch plywood, solid maple, or laminated hardwood veneers, finished with a clear polyurethane lacquer.
- Tabletops are typically high-pressure laminate (Formica).
- Plastic components are typically injection molded from a variety of industrial resins.

All materials are latex, lead and phthalates free.

User modifications 🧑 🏠 🧑

CAUTION: Rifton Equipment cannot accept responsibility for any modifications or alterations made to our components or products after they leave our premises. Customers modifying or altering our components or products, or using them in conjunction with products from other manufacturers, do so at their own risk since we are unable to validate the safety and efficacy of the modified or altered product. The modification or alteration of our components and products, or the use of our components or products in conjunction with products from other manufacturers, may make the components and products unsafe, which could result in SERIOUS INJURIES.

Rifton Contact Info



Online

www.Rifton.com
Sales@Rifton.com



Phone

800.571.8198
9–5 EST



Mail

Rifton Equipment
PO Box 260
Rifton NY 12471–0260



Fax

800.865.4674

To order replacement parts

1. Locate the serial number of the product on the small white label.
2. Have this number available when you call **800.571.8198** for your customer service representative.

Use only replacement parts supplied by Rifton Equipment.

LK79 ECO 3220 Revision D



Looking for a quick answer?

You may find it in our **Quick Reference Guide** located in a pocket behind the back cushion of your Rifton Activity Chair.