



Embrace life.

healthcraftproducts.com

SuperPole	2
SuperBar	3
SuperTrapeze	4
SuperPole Installation Accessories	5
Smart-Rail	6
e2 Ceiling Mount Trapeze	7
Assista-Rail	8
Dependa-Bar	9
PT Rail	10
PT Rail Add-ons and Installation Accessories	11
Advantage Rail	12
Advantage Pole	13
Bath Board	14
Easy Mount Grab Bars	15
PT Rail Angled	16
SuperPole FRS	17



HEALTHCRAFT PRODUCTS CHANGE THE WAY PEOPLE LIVE THEIR LIVES.
FIND EVERYTHING YOU NEED TO KNOW ABOUT OUR PRODUCTS AND WHY
THEY ARE UNLIKE ANYTHING ELSE IN THE HOME SAFETY INDUSTRY.



SUPERPOLE

When it comes to innovative and adaptable home safety products that can be used anywhere in the house, the SuperPole is the industry leader. The SuperPole is a safety pole that can be easily installed between any floor and ceiling by simply turning a jackscrew. The pressure created by the jackscrew is strong enough to support you, yet it does not typically require drilling holes into the floor or ceiling. This is ideal for relocating or removing the pole. Also, it features a grip that provides comfort and an improved surface to grab onto. All this functionality is contained in a clean, modern design that blends into any room.

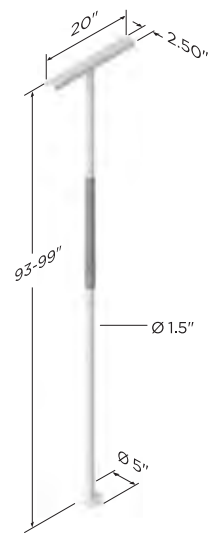


SPECS

Floor to Ceiling Range	93" - 99"
Pole Diameter	1.5"
Material	Alloy Steel
Finish	Anti-microbial powder coat white (PCW)
Code (Weight Capacity)	SP-S (300lbs) <i>SuperPole</i> SP-HD (450lbs) <i>SuperPole Bariatric</i> SP-CUT (300lbs) <i>SuperPole Custom Cut</i>

Install Yourself

PRODUCT DIMENSIONS



SUPERPOLE ADD-ONS

SuperBar	See page 3
SuperTrapeze	See page 4

SUPERPOLE INSTALLATION ACCESSORIES

Uni-Fit Extender	See page 5
SuperPole Ultra	See page 5
Ceiling Plate Extender	See page 5
Angled Ceiling Plate	See page 5

SUPERBAR

With the simple addition of the SuperBar, the SuperPole transforms into an even more versatile product with both horizontal and vertical support. Additionally, with 8 locking positions around the SuperPole (one every 45 degrees), you can stay closer to your support as you move. Push, pull, or lean on the horizontal SuperBar - it offers support that is tailored to your needs.

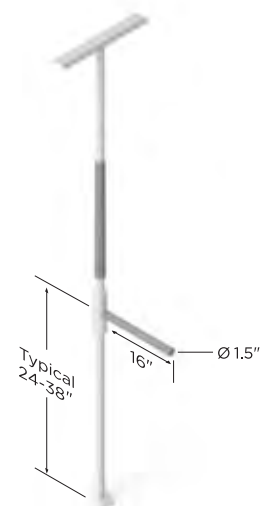


SPECS

Bar Length	16"
Bar Diameter	1.5"
Bar Height on Pole	24" to 38" from floor
Bar Locking Positions	8 (every 45 degrees)
Material	Alloy steel
Finish	Anti-microbial powder coat white (PCW)
Code (Weight Capacity)	SPB-S (300lbs) <i>SuperPole with SuperBar</i> SPB-HD (450lbs) <i>SuperPole Bariatric with SuperBar</i> SPB-AK <i>SuperBar Add On Kit</i>

Install Yourself

PRODUCT DIMENSIONS



SUPERBAR INSTALLATION ACCESSORIES

Uni-Fit Extender	See page 5
Ceiling Plate Extender	See page 5
Angled Ceiling Plate	See page 5

SUPERTRAPEZE

The SuperTrapeze is an add-on to the SuperPole that increases its functionality to also include in-bed support. While the SuperPole and SuperBar help you get out and move from the bed, the SuperTrapeze assists in one of the most difficult motions - transferring from a lying position to a seated position in bed. It uses two offset rails to allow for improved use of arm strength and increased comfort. Additionally, it can easily be stored out of the way when not being used.



SPECS

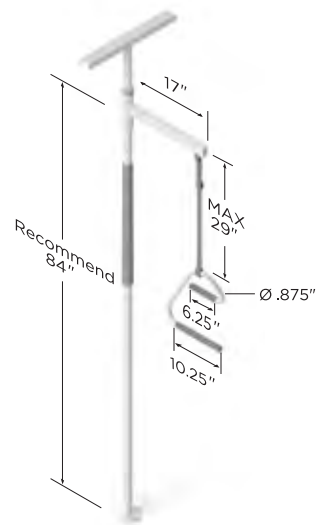
Strap Range	29"	Install Yourself
Support Arm Length	17"	
Material	Alloy steel	
Finish	Anti-microbial powder coat white (PCW)	
Code (Weight Capacity)	STP-S (*300lbs) <i>SuperPole with SuperTrapeze</i> STP-AK <i>SuperTrapeze Add On Kit</i>	

*300lbs applies to the SuperPole. No more than 150lbs should be exerted on the trapeze system.

SUPERTRAPEZE INSTALLATION ACCESSORIES

Ceiling Plate Extender	See page 5
E2 Ceiling Mount	See page 7

PRODUCT DIMENSIONS



UNI-FIT EXTENDER

Increases SuperPole floor to ceiling range from 93"-99" to 100"-120".

Weight Capacity	300 lbs
Code	SP-UF

*Not to be used with SuperTrapeze, SuperPole HD, or SuperPole Ultra.

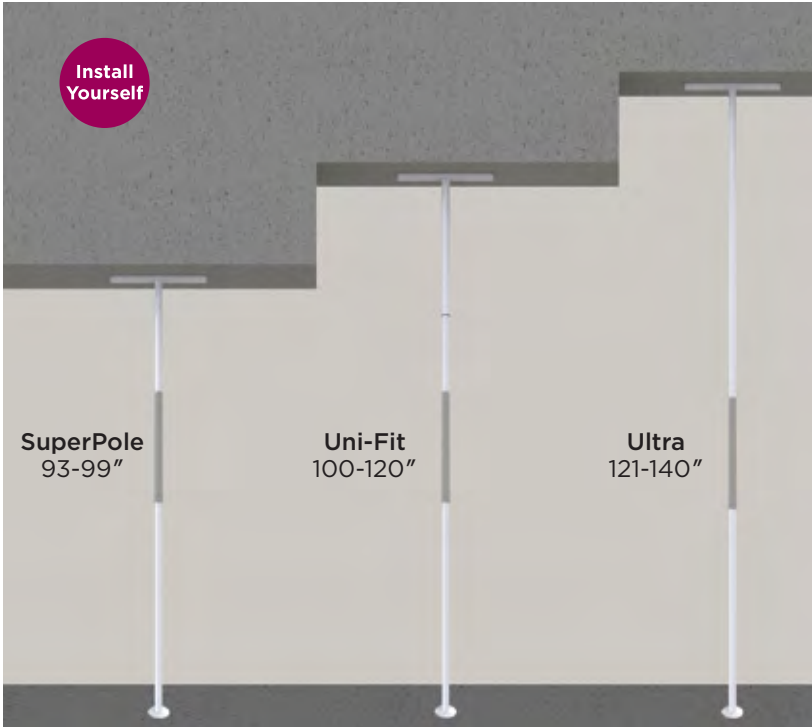


SUPERPOLE ULTRA

A longer version of the SuperPole with a floor to ceiling range from 121"-140".

Weight Capacity	300 lbs
Code	SP-ULTRA

*Not to be used with SuperBar, SuperTrapeze, Uni-Fit Extender, and Angled Ceiling Plate.



CEILING PLATE EXTENDER

Allows standard ceiling plate 20" length to span 30" with holes for ceiling attachment to 24" ceiling beam centers.

Code	SP-CPE
------	--------



ANGLED CEILING PLATE

Bolts to angled ceilings between 0-45 degrees. Top plate diameter is 18".

Code	SP-ACP (300lbs)
(Weight Capacity)	<i>SuperPole with Angled Ceiling Plate</i>
	SP-ACP-AK
	<i>Angled Ceiling Plate Add-On Kit</i>

*Not to be used with SuperTrapeze, SuperPole HD, or Ceiling Plate Extender.



SMART-RAIL

Sitting up and transferring out of bed is made easier with the innovative Smart-Rail. Unlike other bed rails, the Smart-Rail has two positions: closed and open. In the closed position (parallel to the side of the bed), the rail provides support for making adjustments while in bed. In the open position, the rail pivots out from the bed and touches down to the ground to assist movement to a standing position. The Smart-Rail is also easily installed between your mattress and box spring.

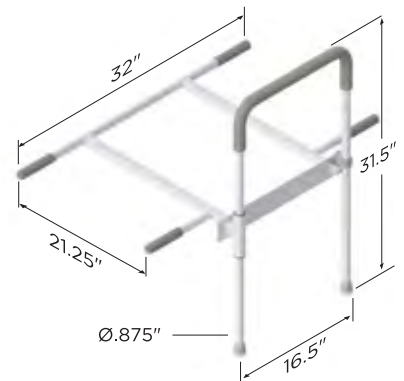


SPECS

Rail (grip) Diameter	1.25"
Rail Width	16.5"
Rail Height	31.5"
Material	Alloy steel
Finish	Anti-microbial powder coat white (PCW)
Weight Capacity	300lbs
Code	SR-S <i>Smart-Rail</i>

Install Yourself

PRODUCT DIMENSIONS



SMART RAIL INSTALLATION ACCESSORIES

Smart Rail Leg Extender	Increases standard rail height of 31.5" up to 34.5" in the open position
Code	SR-LE <i>Smart-Rail Leg Extenders</i>



e2 CEILING MOUNT TRAPEZE

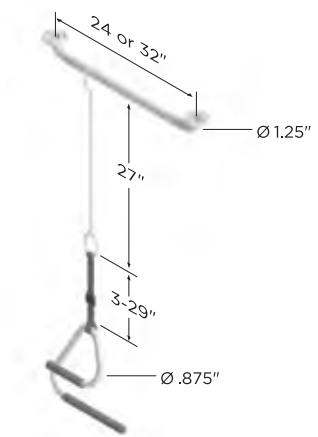
For those who need help sitting up in bed but don't have the room for a SuperPole, there's the e2 Ceiling Mounted Trapeze. Like the SuperTrapeze, it assists you in moving from a lying position to a seated position in bed by using two offset rails. However, instead of attaching to the SuperPole, the e2 Trapeze hangs from a ceiling mounted grab bar. This means it can easily be slid to one side of the bed or removed and stored out of the way when not in use.



SPECS	
Ceiling Bar Length	24" or 32"
Hook Length	27"
Strap Range	29"
Material	Alloy steel
Finish	Anti-microbial powder coat white (PCW)
Code (Weight Capacity)	STP-CM-24 (300lbs) <i>e2 Ceiling Mount Trapeze with 24" ceiling bar</i> STP-CM-32 (300lbs) <i>e2 Ceiling Mount Trapeze with 32" ceiling bar</i>

Contractor Recommended

PRODUCT DIMENSIONS



*300lbs applies to the grab bars. No more than 150lbs should be exerted on the trapeze system.

ASSISTA-RAIL

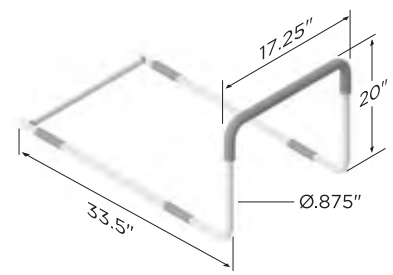
For in-bed support that's secure and easy to install, nothing compares to the Assista-Rail. Simply install it between your mattress and box spring for a solid bed rail. The safety strap (supplied) ensures that the Assista-Rail is not going to budge.



SPECS

Rail (grip) Diameter	1.25"	Install Yourself
Rail Width	17.25"	
Rail Height	20"	
Material	Alloy steel	
Finish	Anti-microbial powder coat white (PCW)	
Weight Capacity	300lbs	
Code	AST-S-1 Assista-Rail 1 Pack AST-S-4 Assista-Rail 4 Pack	

PRODUCT DIMENSIONS



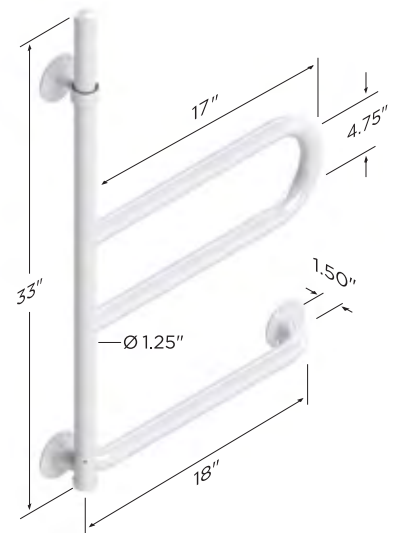
DEPENDA-BAR

The Depend-a-Bar offers an unparalleled range of bathtub and shower support. Along with providing traditional grab bar support, the Depend-a-Bar features our pivot and lock technology allowing for 5 different positions (one every 45 degrees). This means the Depend-a-Bar is where you need it when bathing or showering, and can be locked out of the way against the wall when not being used.



SPECS		
Rail Diameter	1.25"	
Pivot Rail Length	17"	Contractor Recommended
Pivot Rail Locking Positions	5 (every 45 degrees)	
Fixed Grab Bar Length	18"	
Material	Stainless Steel	
Weight Capacity	325lbs	
A. Finishes	Anti-microbial powder coat white (PCW) Knurled (SK)	
Code	DB-18- A Example: DB-18- PCW	

PRODUCT DIMENSIONS



PT RAIL

Mobility around the toilet is made much easier and more secure with the PT Rail. It provides sturdy support featuring offset rails to help reduce wrist strain (when gripping the lower rail). Additionally, when not in use, you can lift the PT Rail up and store it flush against your bathroom walls.

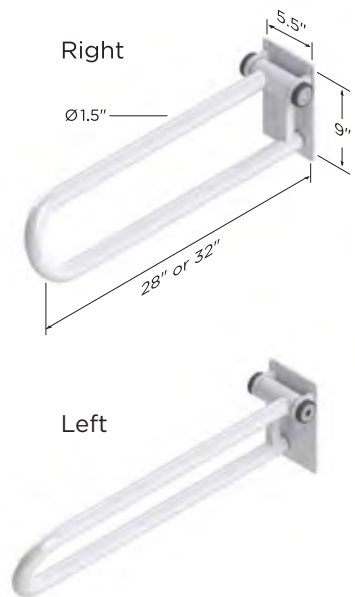


SPECS

Rail Diameter	1.5"
Weight Capacity	400lbs
A. Rail Length	28" (28) or 32" (32)
B. Side	Left (L) or Right (R)
C. Finish/Material	Anti-microbial powder coat white on Alloy Steel (PCW) Chrome Plated Alloy Steel (CRP) Brushed Pattern on Stainless Steel (SS)
Code	PT-WRAB-C Example: PT-WR 28L-PCW

Contractor Recommended

PRODUCT DIMENSIONS



PT RAIL FLOOR MAST

If fastening to the wall isn't an option, a Floor Mast can provide an alternative mounting structure to install a PT Rail. The rail is height adjustable on the mast.

SPECS	
Mast Height	39"
Base Plate	4x6" Contractor Recommended
Clamp Plate	5.5x9"
Weight Capacity	400lbs
A. Finish/Material	Anti-microbial powder coat white on Alloy Steel (PCW) Chrome Plated Alloy Steel (CRP) Brushed Pattern on Stainless Steel (SS)
Code	PT-WRM- A Example: PT-WRM- PCW



WALL PLATE

A high quality Baltic 11-ply wood construction that allows the installation of the PT Rail without having to open walls and create structural reinforcement.

Weight Capacity	400lbs
Code	PT-WP-WD <i>Wood Wall Plate for PT Rail</i>



TOILET ROLL HOLDER

Add to any PT Rail to minimize reaching and twisting for toilet paper.

Code	PT-TRH <i>Toilet Roll Holder</i>
------	-------------------------------------



ADVANTAGE RAIL

The Advantage Rail is a floor mounted support rail that features our innovative pivot and lock technology for improved versatility and stability. Featuring 8 different locking positions (one at every 45 degrees), the Advantage Rail is the perfect solution for getting where you need to go in rooms that will not accommodate a floor to ceiling support pole.



SPECS - ADVANTAGE RAIL

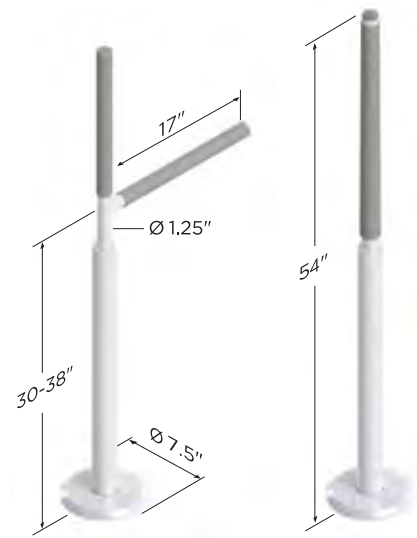
Rail Diameter	1.5"
Rail Height Range	30" to 38"
Rail Length	17"
Rail Locking Positions	8 (every 45 degrees)
Material	Alloy Steel
Finish	Anti-microbial powder coat white (PCW)
Code (Weight Capacity)	AR-T (300lbs) <i>Advantage Rail</i> AR-T-HD (450lbs) <i>Advantage Rail Bariatric</i>

Contractor Recommended

SPECS - ADVANTAGE POLE

Pole Diameter	1.5"
Height	54"
Code (Weight Capacity)	AR-AP-HD (450lbs) <i>Advantage Pole</i>

PRODUCT DIMENSIONS



ADVANTAGE POLE

If you do not require the pivot and lock action of the Advantage Rail, but can benefit from a floor mounted support pole, the Advantage Pole is ideal for you. It has a clean and modern design that compliments any décor and is ideal for rooms that will not accommodate a floor to ceiling support pole.



ADVANTAGE RAIL / POLE INSTALLATION OPTIONS

ADVANTAGE RAIL / POLE PORTABLE

Each portable model secures and releases from a low profile floor mounted plate. Simply remove rail/pole when it is not needed.

Install additional floor plates to use rail/pole in multiple locations.

SPECS

Code	AR-PT (300lbs) <i>Advantage Rail Portable</i>
	AR-PT-HD (450lbs) <i>Advantage Rail Bariatric Portable</i>
	AR-AP-P-HD (450lbs) <i>Advantage Rail Portable</i>
	AR-FP <i>Floor Plate</i>

**Contractor
Recommended**



BATH BOARD

For bathtubs that don't feature built-in seats, the Bath Board provides a secure place to sit. The sturdy plastic seat makes washing, along with entering and exiting the bathtub, safer and easier. It features anti-slip friction feet that are easy to adjust for different widths of tubs. This helps to stabilize and secure the bath board without damaging your bathtub surface. And unlike built-in seats, it can be removed when not being used.

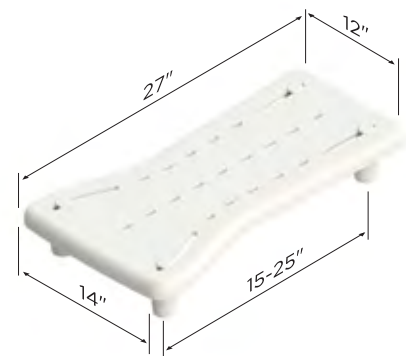


SPECS

Width of Board	27"
Tub Width Range	15"-25"
Material	Plastic (polypropylene)
Weight Capacity	330lbs
Code	HCP-B-1 <i>Bath Board 1 Pack</i> HCP-B-5 <i>Bath Board 5 Pack</i>

Install Yourself

PRODUCT DIMENSIONS



EASY MOUNT GRAB BARS

Easy Mount Grab Bars provide secure support to assist you in any room in your house. While other bars have standard three hole flanges, the Easy Mount Grab Bar has 9-holes, which means greater versatility during installation. The extra holes provide mounting options for angled grab bar installations, and for areas where stud spacing may vary from 16" centers. It is easy to add an additional mounting screw for peace of mind. Flange covers conceal the screws for a simple and modern finish.



Standard 3-Hole Flange



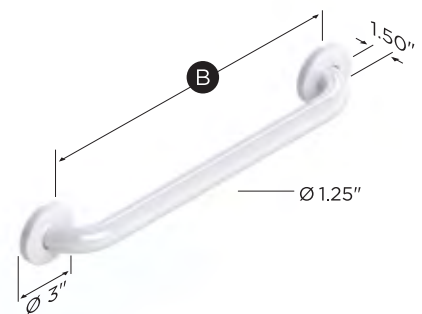
Easy Mount 9-Hole Flange



SPECS	
Rail Diameter	1.25" (ADA Compliant)
Wall Clearance	1.50" (ADA Compliant)
Material	Stainless Steel
A. Finish	Smooth White (SW) or Knurled (SK)
B. Length	18" (18), 24" (24), 32" (32), 36" (36)
C. Pack	1 Pack (1PK), 10 Pack (10PK)
Weight Capacity	400lbs (32" and 36") 500lbs (18" and 24")
Code	G125 ABF9-C Example: G125 SW18F9-1PK

Contractor Recommended

PRODUCT DIMENSIONS



PT RAIL ANGLED

We created the PT Rail Angled for additional support when going up and down two or three stairs. Like the PT Rail, it mounts to the wall and can be lifted out of the way when not in use. However, it can be adjusted between 0 and 30 degrees to suit the angle of the stairs it's mounted beside.

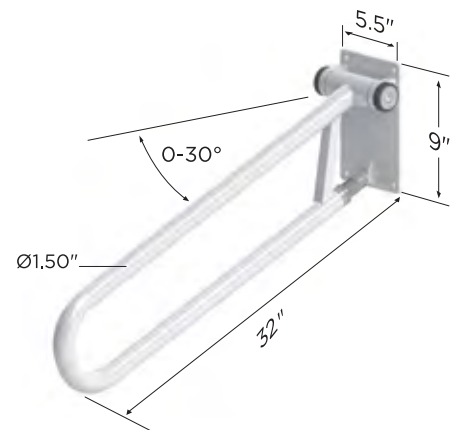


SPECS

Rail Length	32"
Rail Diameter	1.5"
Rail Angle Range	0-30 degrees
Material	Alloy steel
Finish	Anti-microbial powder coat white (PCW)
Weight Capacity	400lbs
Code	PT-ANG-32-PCW <i>PT Rail Angled</i>

Contractor Recommended

PRODUCT DIMENSIONS



INSTALLATION OPTIONS

PT Mast	See page 11
Wall Plate	See page 11

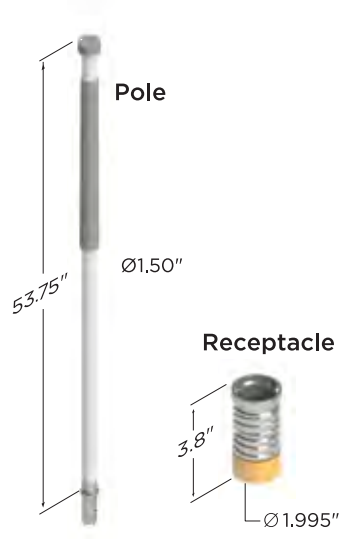
SUPERPOLE FRS

The SuperPole FRS is a floor mounted support pole that's specially made for care facilities. A floor receptacle is permanently installed into the concrete, flush with the floor surface to reduce trip hazards. When not in use, the receptacle is sealed with a liquid tight cap. When support is needed, the cap is easily removed and the pole can be inserted into the receptacle. The SuperPole FRS makes adapting to the needs of different clients in a care facility easier than ever.



SPECS	
Pole Diameter	1.5"
Pole Height (Installed)	53.75" Contractor Recommended
Floor Receptacle	3.8" x 1.9" diameter
Concrete Slab Min Depth	6"
Material	Alloy steel
Finish	Anti-microbial powder coat white (PCW)
Weight Capacity	450lbs
Code	FRS-P <i>SuperPole FRS - Pole only</i> FRS-FR <i>SuperPole FRS - Receptacle only</i>

PRODUCT DIMENSIONS





2790 Fenton Road
Ottawa CANADA
K1T 3T7

T: 613-822-1885
F: 613-822-1886
TF: 888-619-9992

healthcraftproducts.com
E: info@healthcraftproducts.com